

# Thermostatic Mixing Valves, Safety Equipment & Parts



## Thermostatic Mixing Valves & Parts Page

Acorn Engineering	2-4
Apollo	5-7
Bradley	8-23
Cash-Acme	24-27
Chicago Faucet	28
Guardian Equipment	29-31
Haws	32-34
Honeywell-Sparco	35-36
Lawler	37-46
Leonard	47-53
Powers	54-60
Sloan	61
Speakman	62-63
Stingray	76-78
Symmons	64-67
Taco	68
Watts	69-72
Webstone	73
Zurn	74-75

## Emergency Eye & Face Washes Page

Bradley	90-92
■ Eye & Face Washes	90-91
■ Eye & Face Wash with Drench Shower	92
■ Thermostatic Mixing Valves & Parts	8-23
Guardian Equipment	79-84
■ Eye & Face Washes	79-83
■ Eye & Face Wash with Drench Shower	84
■ Thermostatic Mixing Valves & Parts	29-31
Speakman	85-89
■ Eye & Face Washes	85-88
■ Eye & Face Wash with Drench Shower	89
■ Thermostatic Mixing Valves & Parts	62-63
StingRay	76-78
■ Eye & Face Washes	76
■ Eye & Face Wash with Drench Shower	77
■ Thermostatic Mixing Valves & Parts	76-78



**800.772.2099**  
**Fax: 651.774.7156**  
 Email: [Sales@StateSupply.com](mailto:Sales@StateSupply.com)

# Acorn Engineering Thermostatic Mixing Valves

## Acorn MV17 Series Thermostatic Mixing Valves for Potable Water



Related size ball valves for inlets shipped loose.

### Acorn MV17 Features and Benefits (Certified ASSE 1017)

- Includes 2 lockable, full port brass ball valves for inlets, shipped loose.
- Temp. adjustment is made from bottom of unit, using an allen wrench.
- Available in pipe sizes from ½" inlet/outlet, through 1½" inlet x 2" outlet.
- NOT intended for use on emergency eye, face or shower stations.
- Outlet temperature range: 100° to 160° F.
- Minimum hot water supply: 5° above set-point.
- Max. operating pressure: 125 psi; Max. water supply temp: 180°.
- Rough brass finish. Also available with a chrome plated finish.

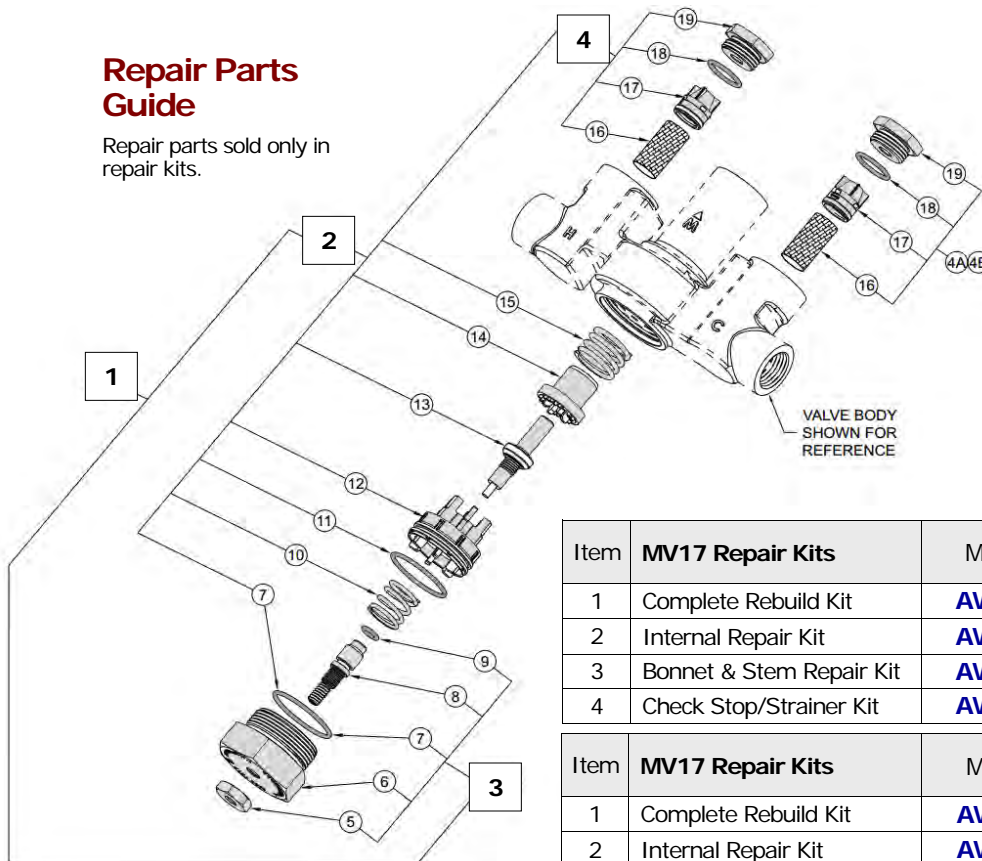
**Sample of Series MV17**  
Adjusting temperature stem on bottom of unit.

**NOTE:** The MV17 is capable of exceeding the temperature control accuracy requirements of ASSE 1017 at zero GPM actual user demand. The system must include a continuously operating recirculation pump capable of meeting the minimum flow rate shown on the ordering table (0.5 to 4 GPM based on the model) with a correctly adjusted balancing valve.

Model	Connections <i>NPT Pipe</i>	MIN Flow rate	GPM Flow @ PSI drop					Wgt lbs.	Order No.
			5 psi	10	20	30	45		
MV17-1	½" IN x ½" OUT	0.5	5 gpm	7	10	12	15	3.5	<a href="#">AW1005</a>
MV17-2	¾" IN x 1" OUT	1	15	21	30	36	45	8.5	<a href="#">AW1010</a>
MV17-3	1" IN x 1¼" OUT	2	30	42	60	73	90	37.0	<a href="#">AW1015</a>
MV17-4	1¼" x 1½" OUT	3	50	70	100	122	150	37.0	<a href="#">AW1020</a>
MV17-5	1½" IN x 2" OUT	4	75	106	150	183	225	45.0	<a href="#">AW1025</a>

### Repair Parts Guide

Repair parts sold only in repair kits.



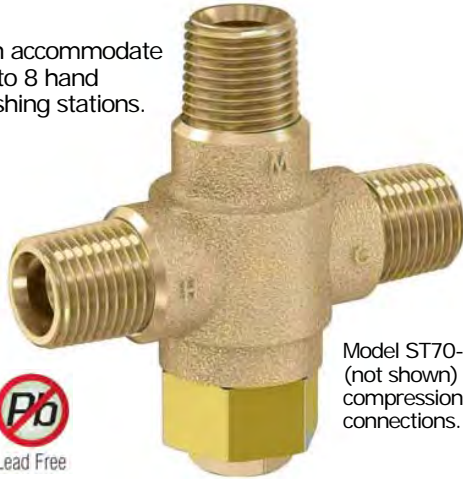
Item	MV17 Repair Kits	MV17-1	MV17-2	MV17-3
1	Complete Rebuild Kit	<a href="#">AW1065</a>	<a href="#">AW1070</a>	<a href="#">AW1075</a>
2	Internal Repair Kit	<a href="#">AW1090</a>	<a href="#">AW1095</a>	<a href="#">AW1100</a>
3	Bonnet & Stem Repair Kit	<a href="#">AW1115</a>	<a href="#">AW1120</a>	<a href="#">AW1125</a>
4	Check Stop/Strainer Kit	<a href="#">AW1140</a>	<a href="#">AW1145</a>	<a href="#">AW1150</a>

Item	MV17 Repair Kits	MV17-4	MV17-5
1	Complete Rebuild Kit	<a href="#">AW1080</a>	<a href="#">AW1085</a>
2	Internal Repair Kit	<a href="#">AW1105</a>	<a href="#">AW1110</a>
3	Bonnet & Stem Repair Kit	<a href="#">AW1130</a>	<a href="#">AW1135</a>
4	Check Stop/Strainer Kit	<a href="#">AW1170</a>	<a href="#">AW1150</a>

# Acorn Engineering Point-of-Use Mixing Valves

## Standard Capacity Acorn ST70 Thermostatic Mixing Valves

Can accommodate up to 8 hand washing stations.



Model ST70-38 (not shown) has compression connections.



**Model ST70-12 shown.**  
Choose from 3/8" compression or 1/2" pipe connections.

### Acorn ST70 Features and Benefits (Certified ASSE 1070)

Ideal for applications without re-circulating pumps where minimum flow for accurate control is met by the actual demand of but a few fixtures.

- Can be used with any type of faucet; accommodates up to 8 faucets.
- Temp. adjustment is made from bottom of unit, using an allen wrench.
- Available in compression/hose (3/8" O.D.) and 1/2" pipe connections
- NOT intended for use on emergency eye, face or shower stations.
- Outlet temperature range: 85° to 115° F.
- Minimum hot water supply: 5° above set-point.
- Max. operating pressure: 125 psi; Max. water supply temp: 180°.
- Not a repairable valve - No repair parts available.

Model	Connections <i>NPT Pipe</i>	MIN Flow rate GPM	GPM Flow @ PSI drop					Wgt lbs.	Order No.
			5 psi	10	20	30	45		
ST70-38	3/8" compression	0.25	1.3	1.9	2.7	3.3	4.0	1.0	<a href="#">AW1030</a>
ST70-12	1/2" NPT pipe	0.25	1.5	2.1	3.0	3.7	4.5	1.0	<a href="#">AW1035</a>

## High Capacity Acorn ST7069 Thermostatic Mixing Valve

### Acorn ST7069 Features and Benefits

Thermostatic mixing valve ideal for delivering tempered water to point-of-use fixtures. Model ST7069 can deliver 12 gpm @ 45 psi differential pressure, and accommodate up to 8 showers or up to 24, 0.5 gpm hand washing stations.

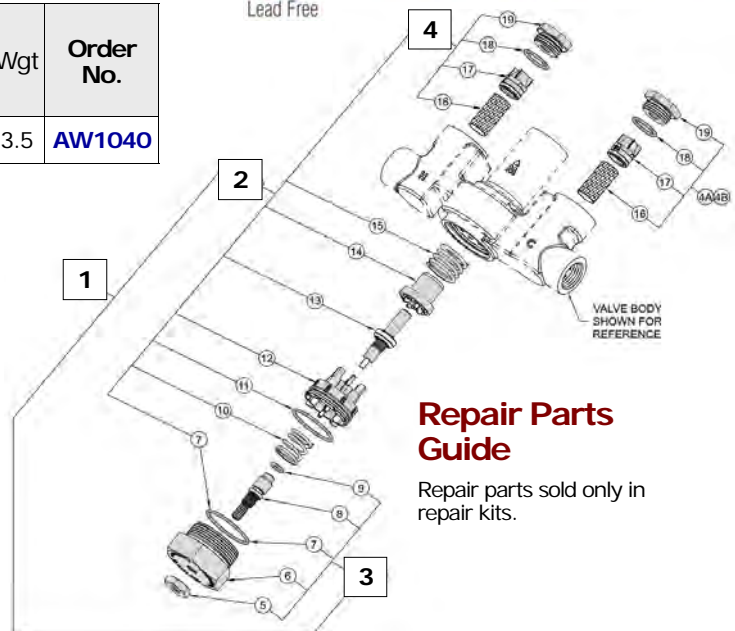
- Can be used with any type of faucet; accommodates up to 24, 0.5 gpm faucets.
- Temp. adjustment is made from bottom of unit, using an allen wrench.
- 1/2" pipe connections with integral checks and protective inlet screens.
- Certified ASSE 1069 and 1070; Used at point-of-source or point-of-use.
- Outlet temperature range: 90° to 115° F.
- Minimum hot water supply: 10° above set-point.
- Max. operating pressure: 125 psi; Max. water supply temp: 180°.
- Rough brass finish. Also available with a chrome plated finish.



Model	Connections <i>NPT Pipe</i>	MIN Flow rate GPM	GPM Flow @ PSI drop					Wgt	Order No.
			5	10	20	30	45		
ST7069	1/2" female pipe	0.50	4	5.7	8	9.8	12	3.5	<a href="#">AW1040</a>

### Repair Kits

Item	ST7069 Repair Kits	Order No.
1	Complete Rebuild Kit	<a href="#">AW1155</a>
2	Internal Repair Kit	<a href="#">AW1160</a>
3	Bonnet & Stem Repair Kit	<a href="#">AW1165</a>
4	Check Stop/Strainer Kit	<a href="#">AW1170</a>



### Repair Parts Guide

Repair parts sold only in repair kits.

# Acorn Emergency Thermostatic Mixing Valves

## Acorn ET71-BVS-OTG Series Emergency Tempering Valve



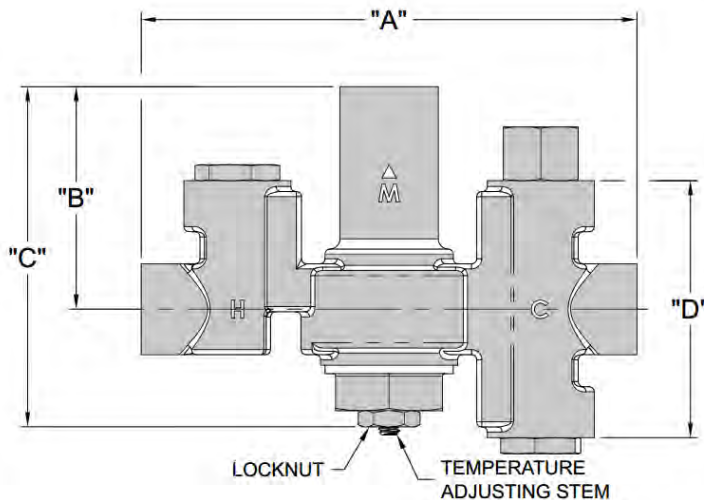
Models include locking ball valve shut-offs and outlet temperature gauge. **Lockable ball valves eliminate need for secure cabinet.**

### Acorn ST70 Features and Benefits (Certified ASSE 1070)

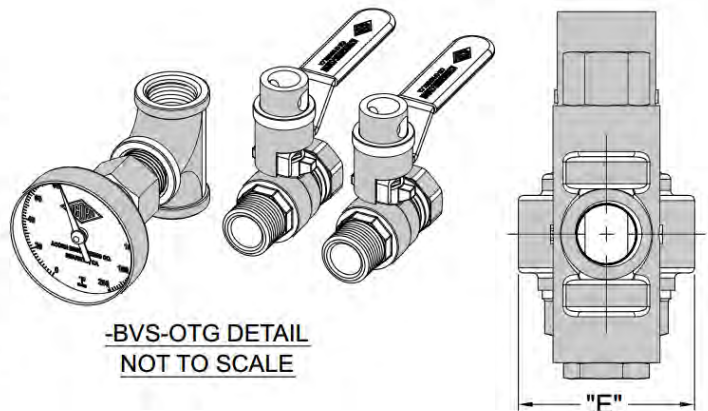
- IAPMO certified per ASSE 1071. Lead free brass body.
- Temp. adjustment is made from bottom of unit, using an allen wrench.
- Commercial quality paraffin actuator provides reliable performance.
- On demand cold water bypass ensures flow if hot water supply fails.
- Outlet temperature range: 60° to 95° F.
- Minimum hot water supply: 5° above set-point.
- Max. operating pressure: 125 psi; Max. water supply temp: 180°.
- Lockable ball valve shut-offs prevent unauthorized valve manipulation.

Model	Connections NPT Pipe IN x OUT	GPM Flow @ PSI drop					Wgt lbs.	Order No.
		5 psi	10	20	30	45		
ET71-1-BVS-OTG	½" x ½"	4	5.6	8	9.8	12	3.5	<a href="#">AW1045</a>
ET71-2-BVS-OTG	¾" x 1"	14.3	20.3	28.7	35.1	43	8.5	<a href="#">AW1050</a>
ET71-3-BVS-OTG	1" x 1¼"	28.7	40.5	57.3	70.2	86	36.0	<a href="#">AW1055</a>
ET71-4-BVS-OTG	1¼" x 1½"	50	70.7	100	110	150	36.0	<a href="#">AW1060</a>

Call for repair part information.



### Dimension Guide



Model	Connections NPT Pipe IN x OUT	Dimensions, Inches				
		A	B	C	D	E
ET71-1-BVS-OTG	½" x ½"	5.75	2.625	4.0	3.0	2.0
ET71-2-BVS-OTG	¾" x 1"	8.50	3.0	5.50	4.25	2.0
ET71-3-BVS-OTG	1" x 1¼"	14.0	5.25	8.75	6.25	5.75
ET71-4-BVS-OTG	1¼" x 1½"	14.0	5.25	8.75	6.25	5.75

# Apollo Thermostatic Mixing Valves

## Apollo 34CLF (MVC) High Capacity Master Mixing Valves



1 1/4 to 2" Size

3/4 and 1" Size



Lead Free

### Apollo 34CLF Features and Benefits Certified ASSE 1017

34CLF high capacity lead free mixing valves are installed near the source of the domestic hot water. They deliver up to 165 gpm of hot water at 45 psi differential pressure.

- IAPMO certified per ASSE 1017 for use at point-of-source.
- Temp. adjustment is made from a lockable dial.
- Minimum flow rate @ 1 psi with pump.
- Cold or hot water supply failure shut-off protection.
- Outlet temperature range: 90° to 140° F.
- Minimum hot water supply: 5° above set-point.
- Max. operating pressure: 150 psi; Maximum working temp: 210°



Repair kits are lead free.

Model No.	Series No.	Connections	GPM Flow @ PSI differential					Wgt lbs.	Order No.
			5 psi	10	20	30	45		
MVCLF-34	34CLF-104-01	3/4" FNPT	21	30	44	57	72	6.0	<a href="#">CI2005</a>
MVCLF-1	34CLF-105-01	1" FNPT	25	37	55	68	92	7.0	<a href="#">CI2010</a>
MVCLF-114	34CLF-106-01	1 1/4" FNPT	50	67	102	125	152	9.0	<a href="#">CI2015</a>
MVCLF-112	34CLF-107-01	1 1/2" FNPT	52	72	106	130	157	12.0	<a href="#">CI2020</a>
MVCLF-2	34CLF-108-01	2" FNPT	55	76	112	134	165	15.0	<a href="#">CI2025</a>
<b>Repair Kit:</b> Thermal assy. with spring & O-rings for 3/4 & 1" valve, 90 to 140° F								1.2	<a href="#">CK1200</a>
<b>Repair Kit:</b> Thermal assy. with spring & O-rings for 1 1/4" thru 2", 90 to 140° F								1.3	<a href="#">CK1205</a>

## Apollo 34ALF (MVA) Low Capacity Master Mixing Valves

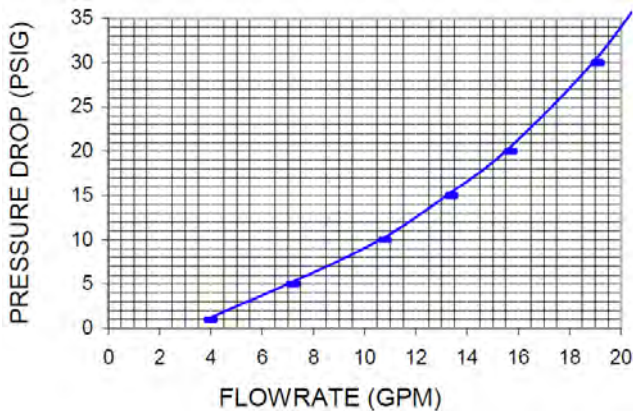


Lead Free

### Apollo 34ALF Features and Benefits (Certified ASSE 1017)

34ALF mixing valves are installed near the source of the domestic hot water. They deliver up to 19 gpm of hot water at 30 psi differential pressure.

- IAPMO certified per ASSE 1017 for potable water at point-of-source.
- Temp. adjustment is made from a lockable dial.
- Integral inlet strainers; Unit set to 120° F.
- Cold or hot water supply failure shut-off protection.
- Outlet temperature range: 85° to 140° F.
- Minimum hot water supply: 5° above set-point.
- Max. operating pressure: 150 psi; Maximum working temp: 210°.
- Minimum flow rate @ 0.50 gpm.



Model No.	Series No.	Connections IN and OUT	Wgt lbs.	Order No.
MVA-12-LF	34ALF213T	1/2" female pipe	2.8	<a href="#">CI2030</a>
MVA-34-LF	34ALF214T	3/4" female pipe	2.9	<a href="#">CI2035</a>
MVA-1-LF	34ALF215T	1" female pipe	3.0	<a href="#">CI2040</a>
MVAS-12-LF	34ALF213S	1/2" solder	2.6	<a href="#">CI2045</a>
MVAS-34-LF	34ALF214S	3/4" solder	2.7	<a href="#">CI2050</a>
MVAS-1-LF	34ALF215S	1" solder	2.8	<a href="#">CI2055</a>
MVAX-12-LF	34ALF213X	1/2" PEX	2.6	<a href="#">CI2060</a>
MVAX-34-LF	34ALF214X	3/4" PEX	2.7	<a href="#">CI2065</a>
MVAX-1-LF	34ALF215X	1" PEX	2.8	<a href="#">CI2070</a>
<b>Repair Kit:</b> Thermal assy. & related parts, 85-140° F			1.2	<a href="#">CK1210</a>

# Apollo Thermostatic Mixing Valves

## Apollo 34BLF (MVB) "Dual Use" Thermostatic Mixing Valves



Repair kit is lead free.

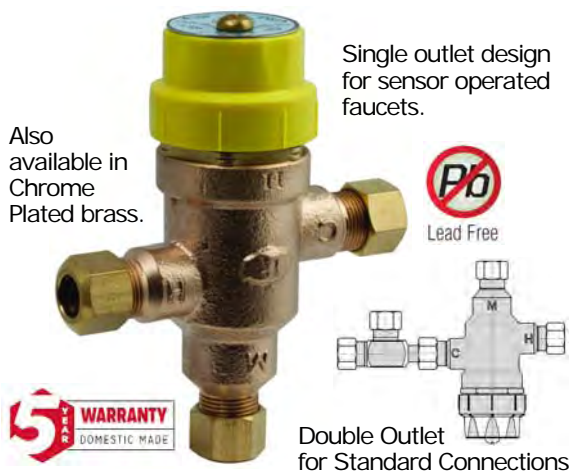
### 34BLF Features and Benefits (Certified ASSE 1017 & 1070)

34BLF mixing valves can be installed at both the domestic hot water point of source, or at its point of use near faucets. For single or multiple fixtures.

- IAPMO certified per ASSE 1017 & 1070. Lead free brass body.
- Temp. adjustment is made from a lockable dial.
- Integral inlet strainers and check valves.
- Cold or hot water supply failure shut-off protection.
- Outlet temperature range: 80° to 120° F.
- Mixed water temperature tolerance: ± 7° F.
- Max. operating pressure: 150 psi; Maximum working temp: 210°.
- Minimum flow rate @ 0.50 gpm.

Model No.	Series No.	Connection	GPM Flow @ PSI differential					Wgt lbs.	Order No.
			5	10	20	30	45		
MVB-12-LF	34BLF213T	½" FNPT	3.5	5.8	9.3	11.9	13.8	2.8	CI2075
MVB-34-LF	34BLF214T	¾" FNPT	4.5	7.5	11.2	13.0	15.7	2.9	CI2080
MVB-1-LF	34BLF215T	1" FNPT	5.5	8.5	12.5	15.5	18.0	3.0	CI2085
MVBS-12-LF	34BLF213S	½" solder	3.5	5.8	9.3	11.9	13.8	2.6	CI2090
MVBS-34-LF	34BLF214S	¾" solder	4.5	7.5	11.2	13.0	15.7	2.7	CI2095
MVBS-1-LF	34BLF215S	1" solder	5.5	8.5	12.5	15.5	18.0	2.8	CI2100
MVBX-12-LF	34BLF213X	½" PEX	3.5	5.8	9.3	11.9	13.8	2.6	CI2105
MVBX-34-LF	34BLF214X	¾" PEX	4.5	7.5	11.2	13.0	15.7	2.7	CI2110
MVBX-1-LF	34BLF215X	1" PEX	5.5	8.5	12.5	15.5	18.0	2.8	CI2115
<b>Repair Kit:</b> Thermal assy. with spring & O-rings for ½ to 1" - 80 to 120° F								1.2	CK1215

## Apollo 34DLF (MVD) Single Fixture Thermostatic Mixing Valve



Also available in Chrome Plated brass.

Single outlet design for sensor operated faucets.



Double Outlet for Standard Connections

### 34DLF Features and Benefits (Certified ASSE 1070)

34DLF series of Apollo mini-thermostatic mixing valves are designed to serve one potable water fixture. Flow rates from 0.5 to 3.2 gpm.

- IAPMO certified per ASSE 1070. Most often installed at point-of-use.
- Temp. adjustment is made from a lockable dial control knob.
- Integral inlet checks & strainers, ⅜" compression/braided hose.
- Cold or hot water supply failure shut-off protection.
- Outlet temperature range: 80° to 120° F.
- Minimum hot water supply: 5° above set-point.
- Max. operating pressure: 150 psi; Maximum working temp: 210°.
- Minimum flow rate @ 1.0 gpm without recirculation loop.

Model No.	Series No.	Connections & Finish Compression, IN and OUT	Wgt lbs.	Order No.
MVD-LF	34DLF30201	⅜" single out, Bronze	1.0	CI2120
MVDR-LF	34DLF30217	⅜" single out, Chrome	1.0	CI2125
MVDB-LF	34DLF302B1	⅜" double out, Bronze	1.0	CI2130
MVDBR-LF	34DLF302B17	⅜" double out, Chrome	1.0	CI2135

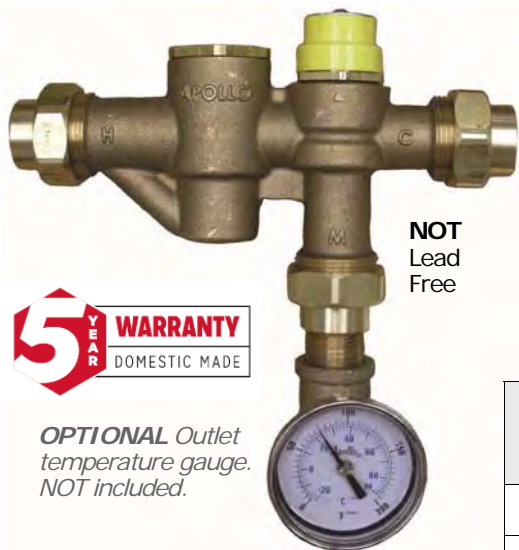
No repair parts available.

### Flow Ratings @ Pressure Differentials shown

Model	GPM Flow @ PSI drop				
	5 psi	10	20	30	45
All 34DLF Models	.80	1.40	2.25	2.80	3.20

# Apollo Emergency Thermostatic Mixing Valves

## Apollo 34E (MVE) Emergency Fixture Thermostatic Mixing Valves



*OPTIONAL* Outlet temperature gauge. NOT included.

Repair kits are lead free.

The water distributed from this valve is not intended for human consumption. Lead free models (34ELF) are found below.

Valves are supplied with a rough brass finish. Available in chrome plated finish.

### 34E Features and Benefits (Certified ASSE 1071)

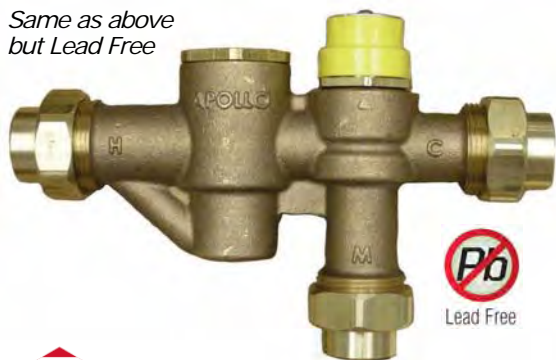
Standard (not lead free) 34E emergency station mixing valves to supply tempered water to emergency eye/wash and drench shower stations.

- IAPMO certified per ASSE 1071. Lead free brass body.
- Temp. adjustment is made from a lockable handle dial.
- Integral inlet strainers and check valves.
- Cold or hot water supply failure shut-off protection.
- Outlet temperature range: 65° to 95° F.
- Mixed water temperature tolerance: ± 5° F.
- Max. operating pressure: 150 psi; Maximum working temp: 180°.
- Minimum flow rate @ 1.50 gpm. Outlet temp. gauge NOT included.

Model No.	Series No.	Pipe Size	GPM Flow @ PSI differential					Wgt lbs.	Order No.
			5 psi	10	20	30	45		
MVE-12G	34E113T	½" FPT	4.9	7.5	10.5	14.5	17.2	4.0	<a href="#">CI2140</a>
MVES-12G	34E113S	½" Sweat						4.0	<a href="#">CI2145</a>
MVE-34G	34E114T	¾" FPT	5.1	8.0	11.1	15.2	18.5	5.0	<a href="#">CI2150</a>
MVES-34G	34E114S	¾" Sweat						5.0	<a href="#">CI2155</a>
<b>Repair Kit:</b> Thermal assy. w/spring & O-rings for ½ & ¾" - 65 to 95° F								1.2	<a href="#">CK1220</a>

## Apollo 34ELF (MVE) "Lead Free" Emergency Fixture Mixing Valves

Same as above but Lead Free



The water distributed from this valve is certified "lead free" and allowed for human consumption. Although used to mix hot and cold water for tempered applications on emergency fixtures, the certified "Lead Free" rating may be welcome in some applications.

Repair kits are lead free.

### 34ELF "Lead Free" Features and Benefits (ASSE 1071)

"Lead Free" 34ELF emergency station mixing valves to supply tempered water to emergency eye/wash and drench shower stations.

- IAPMO certified per ASSE 1071. Lead free brass body.
- Temp. adjustment is made from a lockable handle dial.
- Integral inlet strainers and check valves.
- Cold or hot water supply failure shut-off protection.
- Outlet temperature range: 65° to 95° F.
- Mixed water temperature tolerance: ± 5° F.
- Max. operating pressure: 150 psi; Maximum working temp: 180°.
- Minimum flow rate @ 1.50 gpm.

Model No.	Series No.	Pipe Size	GPM Flow @ PSI differential					Wgt.	Order No.
			5 psi	10	20	30	45		
MVE-12LF	34ELF113T	½" FPT	4.9	7.5	10.5	14.5	17.2	4.0	<a href="#">CI2160</a>
MVES-12LF	34ELF133S	½" Sweat						4.0	<a href="#">CI2165</a>
MVE-34LF	34ELF114T	¾" FPT	5.1	8.0	11.1	15.2	18.5	5.0	<a href="#">CI2170</a>
MVES-34LF	34ELF114S	¾" Sweat						5.0	<a href="#">CI2175</a>
<b>Repair Kit:</b> Thermal assy. w/spring & O-rings for ½ & ¾" - 65 to 95° F								1.2	<a href="#">CK1220</a>

# Bradley Point-of-Use Thermostatic Mixing Valves

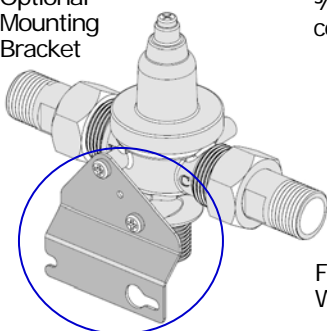
**S59-4000A**  
3/8" comp.



**S59-4000**  
1/2" NPT pipe



**S59-2456**  
Optional Mounting Bracket



**S59-4000BY**  
3/8" comp. with cold water bypass



For Potable Water



Lead Free

## Navigator 4000 Series Features & Specifications:

- Select from male pipe or compression connections.
- Adjustable set point within the 95 to 125° F. temperature range.
- Lead-free design, wax-filled thermostat, thermoplastic polymer body.
- Check valves & strainers located on each supply inlet.
- ASSE 1070 - Often installed at point-of-use for domestic water.
- Optional mounting bracket available. Universal mounting capability.
- Delivers 4.5 GPM of tempered water @ 30 psi differential pressure.
- Max. inlet pressure: 125 psi; Max. inlet temperature: 180° F.

### Flow Capacities – GPM (L/Min)

Min. Flow	Pressure Drop – PSI (Bar)						
	5 (.5)	10 (1.0)	15 (1.5)	20 (2.0)	30 (2.5)	45 (3.0)	60 (4.0)
0.35 (1.5)	2.0 (7.5)	2.5 (9.0)	3.0 (11.0)	3.5 (13.0)	4.5 (17.0)	5.5 (19.0)	6.5 (24.5)

Model No.	Valve Description	Wgt lbs.	Order No.
S59-4000	1/2" male pipe connections	1.0	<a href="#">BO1376</a>
S59-4000A	3/8" compression connections	1.0	<a href="#">BO1376A</a>
S59-4000BY	3/8" compression connections with cold water bypass	1.2	<a href="#">BO1376C</a>
S45-2456	Optional mounting bracket	0.25	<a href="#">BO1376E</a>

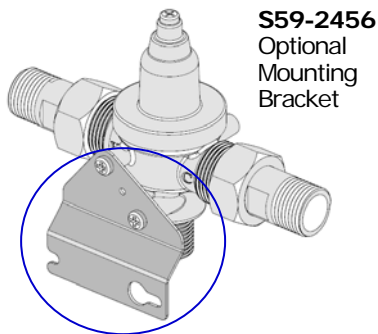
## Navigator S59-4007 Thermostatic Mixing Valve



Lead Free



For Potable Water



**S59-2456**  
Optional Mounting Bracket

## Navigator S59-4007 Features & Specifications:

- Connections are 1/2" male pipe
- Adjustable set point within the 95 to 125° F. temperature range.
- Lead-free design, wax-filled thermostat, thermoplastic polymer body.
- Check valves & strainers located on each supply inlet
- ASSE 1070 - Often installed at point-of-use for domestic water
- Optional mounting bracket available. Universal mounting capability.
- Delivers 6.0 GPM of tempered water @ 30 psi differential pressure.
- Max. inlet pressure: 125 psi; Max. inlet temperature: 180° F.

### Flow Capacities – GPM (L/Min)

Model	Min. Flow	Pressure Drop – PSI (Bar)						
		5 (.5)	10 (1.0)	15 (1.5)	20 (2.0)	30 (2.5)	45 (3.0)	60 (4.0)
<b>S59-4007</b>	0.5 (2.0)	2.5 (11.5)	3.5 (16.0)	4.5 (20.0)	5.0 (23.0)	6.0 (25.5)	7.5 (28.0)	8.5 (32.0)

Model No.	Valve Description	Wgt lbs.	Order No.
S59-4007	1/2" male pipe connections	1.35	<a href="#">BO1377</a>
S45-2456	Optional mounting bracket	0.25	<a href="#">BO1376E</a>



# Bradley Point-of-Use Thermostatic Mixing Valves

Adjustable temperature range from 59° to 140° F.



## Navigator S59-4016 Features & Specifications:

- Select from male pipe or compression connections.
- Adjustable set point within the 59° to 140° F. temperature range.
- Lead-free design, wax-filled thermostat, thermoplastic polymer body.
- Check valves & strainers located on each supply inlet.
- ASSE 1017, 1069 & 1070 - Often installed at point-of-use.
- Optional mounting bracket available. Universal mounting capability.
- Delivers up to 12.5 GPM of water @ 30 psi differential pressure.
- Max. inlet pressure: 125 psi; Max. inlet temperature: 180° F.

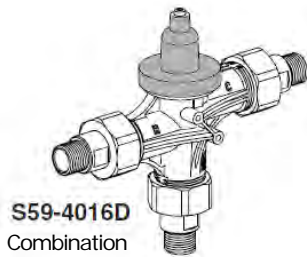
## Flow Capacities – GPM (L/Min)

### S59-4016D, S59-4016N, S59-4016S

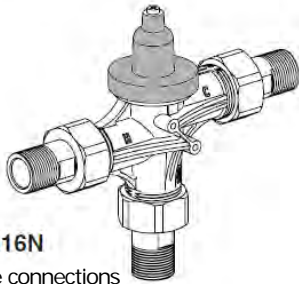
Min. Flow	Pressure Drop – PSI (Bar)						
	5 (.5)	10 (1.0)	15 (1.5)	20 (2.0)	30 (2.5)	45 (3.0)	60 (4.0)
0.5 (2.0)	5.0 (22.4)	7.0 (31.6)	8.5 (39.6)	10.0 (46.4)	12.5 (52.0)	15.0 (56.5)	16.5 (61.9)

### S59-4016X, S59-4016Y

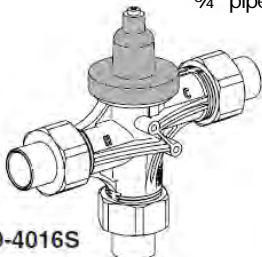
Min. Flow	Pressure Drop – PSI (Bar)						
	5 (.5)	10 (1.0)	15 (1.5)	20 (2.0)	30 (2.5)	45 (3.0)	60 (4.0)
0.5 (2.0)	4.0 (17.3)	5.0 (23.5)	6.5 (29.0)	7.5 (33.8)	9.0 (38.0)	11.0 (41.5)	12.5 (46.5)



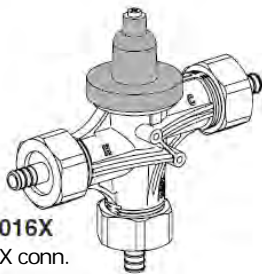
**S59-4016D**  
Combination  
1/2" pipe/sweat  
connections



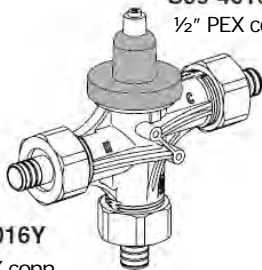
**S59-4016N**  
3/4" pipe connections



**S59-4016S**  
3/4" sweat connections

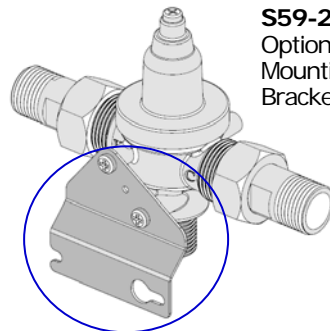


**S59-4016X**  
1/2" PEX conn.



**S59-4016Y**  
3/4" PEX conn.

Model No.	Valve Description	Wgt lbs.	Order No.
S59-4016D	TMV with 1/2" NPT/Sweat connection	2.0	<b>BO1378</b>
S59-4016N	TMV with 3/4" NPT pipe connection		<b>BO1378A</b>
S59-4016S	TMV with 3/4" sweat connection		<b>BO1378C</b>
S59-4016X	TMV with 1/2" PEX connection		<b>BO1378E</b>
S59-4016Y	TMV with 3/4" PEX connection		<b>BO1378H</b>
S45-2456	Optional mounting bracket		<b>BO1376E</b>



**S59-2456**  
Optional  
Mounting  
Bracket

# Bradley Tub and Shower Thermostatic Mixing Valve

Model No.  
S59-2005



## Navigator S59-2005 Features & Specifications:

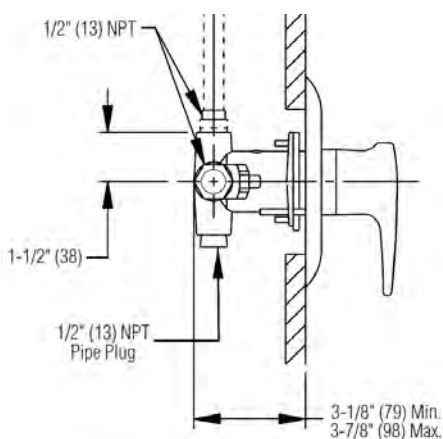
- Durable brass and stainless steel construction.
- Temperature range: From cold to set point of 110° F.
- Lead-free design, wax-filled thermostat, thermoplastic polymer body.
- Responds to changes of both incoming pressure and temperature.
- ASSE 1016, Type T certified - Installed at point-of-use.
- Checkstops on inlets for easy serviceability, 1/2" NPT connection.
- Delivers up to 3.0 GPM of water @ 30 psi differential pressure.
- Max. inlet pressure: 125 psi; Max. inlet temperature: 180° F.

## Flow Capacities – GPM (L/Min)

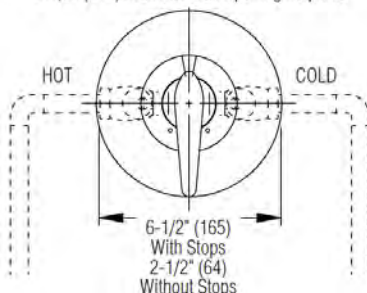
Model	Min Flow	Pressure Drop – PSI (Bar)						
		5 (.5)	10 (1.0)	15 (1.5)	20 (2.0)	30 (2.5)	45 (3.0)	60 (4.0)
S59-2005	0.5 (2.0)	1.5 (6.0)	2.0 (8.0)	2.25 (10.0)	2.5 (11.5)	3.0 (13.0)	4.0 (14.5)	4.5 (16.5)



Lead Free



4-1/2" (114) Diameter Wall Opening Required

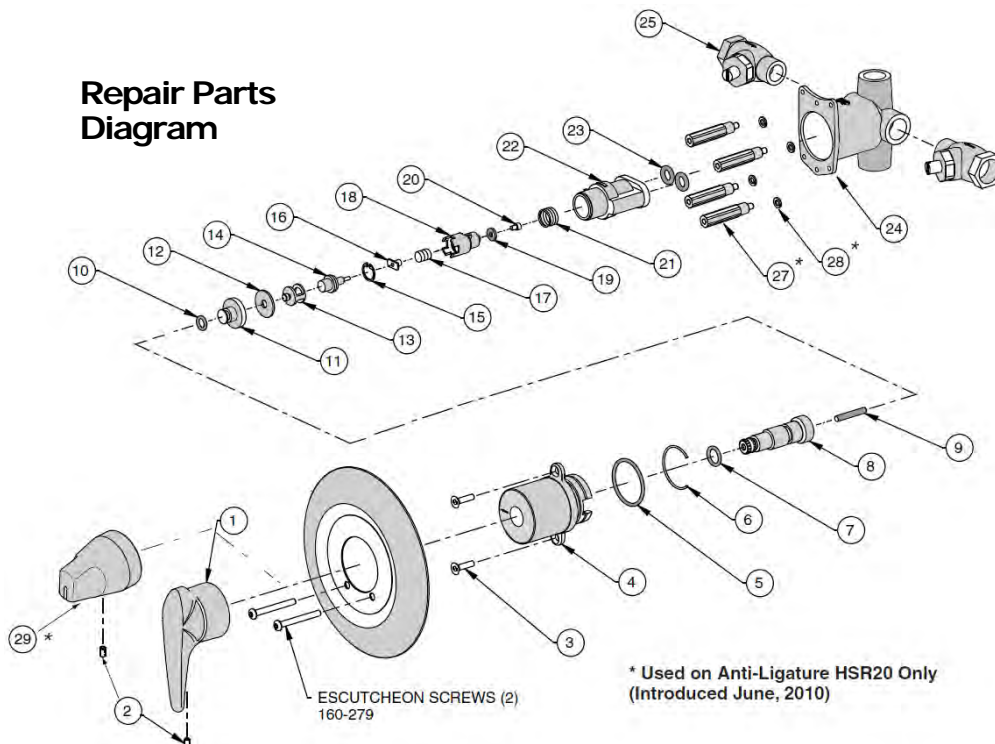


Model No.	Valve Description	Wgt lbs.	Order No.
S59-2005	Shower Valve, 1/2" NPT	2.0	BO1800

The temperature set point is adjustable within the temperature range of cold to 110° F. The piston control mechanism within the mixing valve provides a positive shut-off of hot water when cold water is lost.

Repair Kits	Wgt. lbs.	Order No.
Piston Assembly S64-094 Includes items 15-20	1.0	BO1805
Seat Assembly S68-006 Includes items 10-13	0.5	BO1810
Thermostat Kit S65-257 Includes items 5, 14	0.9	BO1815
Piston/Liner Kit S65-253 Includes items 15-23 (2 ea. of No. 23)	0.9	BO1820
O-Ring/Seat Kit S65-252 Includes items 5, 7, 10-13 and 23 (2 ea)	0.4	BO1825
Individual Components		
Lever handle 128-163, Item 1	1.0	BO1830
Anti-ligature handle 128-179, Item 29	1.2	BO1835
Handle set screws 160-226, Item 2	.1	BO1840
Check Stop Valve S27-102, Item 25	1.0	BO1845

## Repair Parts Diagram



# Bradley High Capacity Thermostatic Mixing Valves

## Model HL45

Part No. S59-3045  
3/4" IN x 1" OUT

Order No: **BO1300**

Weight: 18.0 lbs.

## Model HL80

Part No. S59-3080  
1" IN x 1 1/4" OUT

Order No: **BO1305**

Weight: 25.0 lbs.



### Features and Benefits:

- HL45: 3/4" inlets (2) x 1" outlet (1) x 3/4" NPT cold water bypass.
- HL80: 1" inlets (2) x 1 1/4" outlet (1) x 3/4" NPT cold water bypass.
- Lead-free brass design, liquid-filled thermostat, for potable water.
- Integral strainer checkstops located on each inlet
- Standard temperature range: 90° to 120° F.
- Low temperature range: 70° to 80° F.
- High temperature range: 110° to 130° F.
- Accurate temperature control within ± 3° F.
- Adjustable set-point within the set temperature range.
- Positive flow shut-off in the event of cold supply or thermostat failure.
- Dial thermometer included; Universal valve mounting capability.
- ASSE 1017 for tempered water distribution from point-of-source.
- Max. inlet pressure: 125 psi; Max. inlet temperature: 200° F.

### Flow Capacities – GPM (L/Min)

Model	Min* Flow	Pressure Drop – PSI (Bar)						
		5 (.5)	10 (1.0)	15 (1.5)	20 (2.0)	30 (2.5)	45 (3.0)	60 (4.0)
S59-3045	1.5 (5.5)	12.5 (58.0)	19.0 (89.0)	24.0 (115.0)	28.5 (137.0)	37.0 (157.0)	47.0 (175.0)	56.5 (209.0)
S59-3080	2.0 (7.5)	26.0 (110.0)	36.0 (157.0)	44.0 (193.0)	51.0 (223.5)	63.0 (250.5)	77.0 (275.0)	88.0 (318.0)

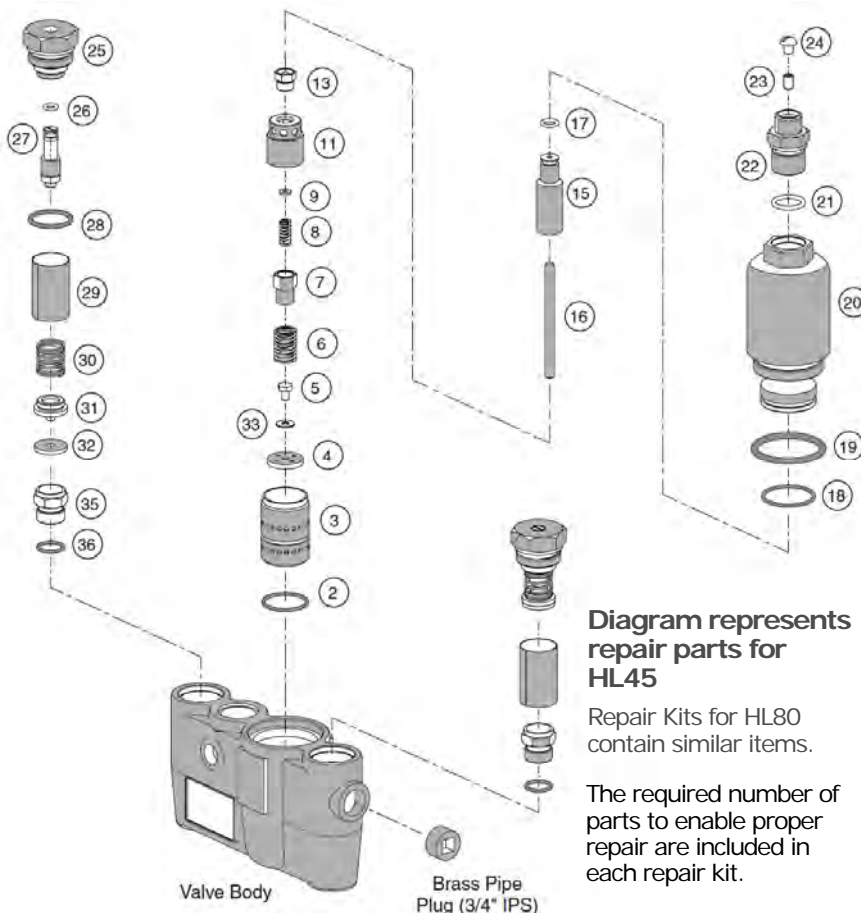
### HL45, S59-3045 Repair Kits

Repair Kit	Items included	Wgt.	Order No.
Thermostat Kit S65-182	15, 17 & 21	2.0	<b>BO1380</b>
Piston & Liner Kit S65-184	2-9, 11, 13, 33	2.0	<b>BO1385</b>
Washer & Seal Kit S65-314	4, 9, 32-33	1.0	<b>BO1390</b>
O-Ring Kit S65-183	2, 17-19, 21, 26, 28, 36	1.0	<b>BO1395</b>
Check Valve Stop Kit S65-176	25-32, 35-36 2 of each item	2.6	<b>BO1400</b>
Center Section Kit S65-299	2-9, 11, 13, 15-24, 36	3.4	<b>BO1405</b>

\* If a continuously operating re-circulation pump is piped-in near the hot water source, a minimum GPM flow of 0.50 can be maintained.

### HL80, S59-3080 Repair Kits

Repair Kit	Items included	Wgt.	Order No.
Thermostat Kit S65-187	15, 17, 21	2.0	<b>BO1410</b>
Piston & Liner Kit S65-189	2-9, 11, 13, 45 Item 45 not shown	2.0	<b>BO1415</b>
Washer & Seal Kit S65-319	4, 9, 32, 45	1.0	<b>BO1420</b>
O-Ring Kit S65-186	2, 17-19, 21, 26, 28, 36	1.0	<b>BO1425</b>
Check Valve Stop Kit S65-179	25-32, 35-36 2 of each item	2.8	<b>BO1430</b>
Center Section Kit S65-300	2-9, 11, 13, 15-24, 45 Item 45 not shown	3.9	<b>BO1435</b>



# Bradley High Capacity Thermostatic Mixing Valves

## Model HL130

Part No. S59-3130

**Order No: BO1310**

Weight: 40.0 lbs.

## Model HL200

Part S59-3200

**Order No: BO1315**

Weight: 50.0 lbs.



### Features and Benefits:

- HL130: 1¼" inlets (2) x 1½" outlet (1) x ¾" NPT cold water bypass.
- HL200: 2" inlets (2) x 2" outlet (1) x ¾" NPT cold water bypass.
- Lead-free brass design with a liquid-filled thermostat.
- Integral strainer checkstops located on each inlet
- Standard temperature range: 90° to 120° F.
- Low temperature range: 70° to 100° F.
- High temperature range: 110° to 140° F.
- Accurate temperature control within ± 3° F.
- Adjustable set-point within the set temperature range.
- Positive flow shut-off in the event of cold supply or thermostat failure.
- Dial thermometer included; Universal valve mounting capability.
- ASSE 1017; for tempered water distribution from point-of-source.
- Max. inlet pressure: 125 psi; Max. inlet temperature: 200° F.

Model	Min* Flow	Pressure Drop – PSI (Bar)						
		5 (.5)	10 (1.0)	15 (1.5)	20 (2.0)	30 (2.5)	45 (3.0)	60 (4.0)
S59-3130	4.0 (15)	40.0 (184.5)	58.0 (265.0)	71.0 (327.0)	83.0 (380.0)	102.0 (427.0)	126.0 (470.0)	147.0 (546.0)

Model	Min† Flow	Pressure Drop – PSI (Bar)						
		5 (.5)	10 (1.0)	15 (1.5)	20 (2.0)	30 (2.5)	45 (3.0)	60 (4.0)
S59-3200	5.0 (19.0)	60.0 (282.5)	91.0 (405.0)	109.0 (499.5)	127.0 (580.0)	157.0 (651.0)	192.0 (715.5)	220.0 (831.0)

\* If a continuously operating re-circulation pump is piped-in near the hot water source, a minimum GPM flow of 0.50 can be maintained.

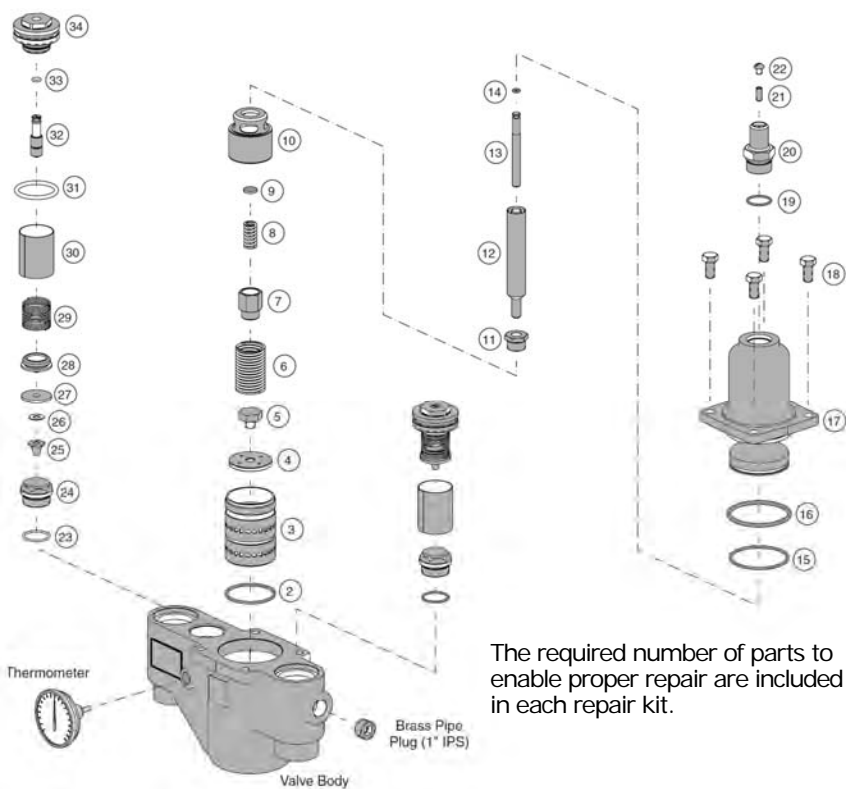
### HL130, S59-3130 Repair Kits

Repair Kit	Items included	Wgt.	Order No.
Thermostat Kit S65-194	12, 14, 19	2.0	<b>BO1440</b>
Piston & Liner Kit S65-216	2-11	2.0	<b>BO1445</b>
Washer & Seal Kit S65-320	4, 9, 26-27	1.0	<b>BO1450</b>
O-Ring Kit S65-215	2, 14-16, 19, 23, 31, 33	1.0	<b>BO1455</b>
Check Valve Stop Kit S65-212	23-34 2 of each item	2.6	<b>BO1460</b>
Center Section Kit S65-301	2-22	3.4	<b>BO1465</b>

### HL200, S59-3200 Repair Kits

Repair Kit	Items included	Wgt.	Order No.
Thermostat Kit S65-194	12, 14, 19	2.0	<b>BO1440</b>
Piston & Liner Kit S65-196	2-11	2.0	<b>BO1470</b>
Washer & Seal Kit S65-321	4, 9, 26-27	1.0	<b>BO1475</b>
O-Ring Kit S65-195	2, 14-16, 19, 23, 31, 33	1.0	<b>BO1480</b>
Check Valve Stop Kit S65-190	23-34 2 of each item	2.8	<b>BO1485</b>
Center Section Kit S65-302	2-22	3.9	<b>BO1490</b>

### HL130 and HL200 Repair Parts



The required number of parts to enable proper repair are included in each repair kit.

# Bradley Standard Capacity Thermostatic Mixing Valves

## Model TMV25

Part No. S59-2025

Order No:  
**BO1320**

Weight: 15.0 lbs.



Lead Free

For Potable Water

## Features and Specifications:

- TMV25: 3/4" inlets (2) x 3/4" outlet (1) x 1/2" NPT cold water bypass.
- Accurate liquid-filled thermostat.
- Integral strainer checkstops located on each inlet
- Standard temperature range: 85° to 135° F. Set point @ 110° F.
- Low temperature range: 50° to 100° F. Set point @ 80° F.
- High temperature range: 100° to 150° F. Set point @ 130° F.
- Accurate temperature control within ± 3° F.
- Adjustable set-point within the set temperature range.
- Positive flow shut-off in the event of cold supply or thermostat failure.
- Universal valve mounting capability.
- ASSE 1017 certified for tempered water distribution (point-of-source)
- Max. inlet pressure: 125 psi
- Max. inlet temperature: 200° F.

## Flow Capacities – GPM (L/Min)

Model	Min* Flow	Pressure Drop – PSI (Bar)						
		5 (.5)	10 (1.0)	15 (1.5)	20 (2.0)	30 (2.5)	45 (3.0)	60 (4.0)
S59-2025	2.0 (8)	5.5 (30.0)	9.0 (47.0)	13.0 (60.0)	16.0 (73.0)	20.0 (84.0)	25.0 (94.0)	29.0 (112.0)

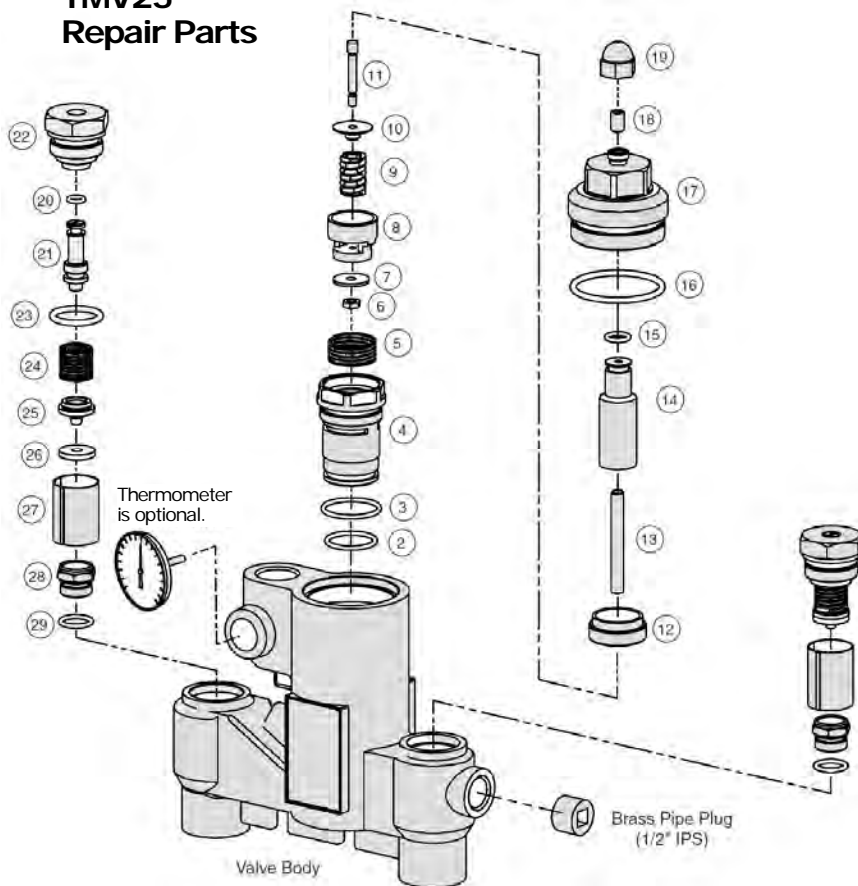
\* If a continuously operating re-circulation pump is piped-in near the hot water source, a minimum GPM flow of 0.50 can be maintained.

## TMV25, S59-2025 Repair Kits

Repair Kit	Items included	Wgt.	Order No.
Piston & Liner Kit S65-200	2-12	2.0	<b>BO1495</b>
Seal Kit S65-313	7, 26	1.5	<b>BO1500</b>
O-Ring Kit S65-199	2-3, 15-16, 20, 23, 29	1.0	<b>BO1505</b>
Thermostat Kit S65-198	14-16	2.0	<b>BO1510</b>
Check Valve Stop Kit S65-197	20-29	2.8	<b>BO1515</b>
Center Section Kit S65-294	2-19, 33	3.9	<b>BO1520</b>

The required number of parts to enable proper repair are included in each repair kit.

## TMV25 Repair Parts



# Bradley Standard Capacity Thermostatic Mixing Valves

## Model TMV80

Part No. S59-2080

**Order No:**  
**BO1330**

Weight: 25.0 lbs.

## Model TMV45

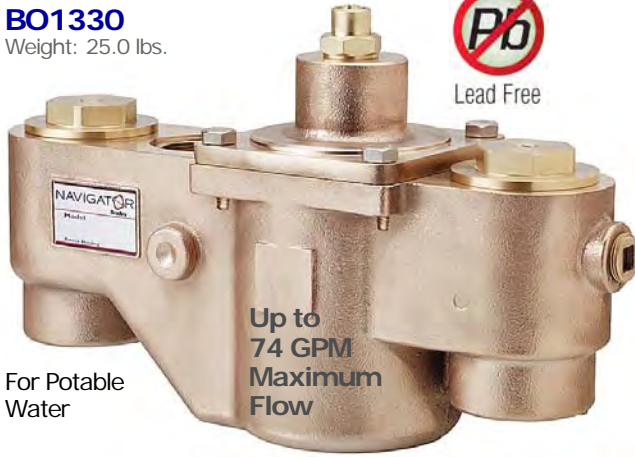
Part No. S59-2045

**Order No:**  
**BO1325**

Weight: 18.0 lbs.



Lead Free



For Potable Water

### Features and Benefits:

- TMV45: 3/4" inlets (2) x 1" outlet (1) x 3/4" NPT cold water bypass.
- TMV80: 1" inlets (2) x 1 1/4" outlet (1) x 3/4" NPT cold water bypass.
- Lead-free (ASSE 1017) brass design with a liquid-filled thermostat.
- Integral strainer checkstops located on each inlet
- Standard temperature range: 85° to 135° F. Set point @ 110° F.
- Low temperature range: 50° to 100° F. Set point @ 80° F.
- High temperature range: 100° to 150° F. Set point @ 130° F.
- Accurate temperature control within ± 3° F.
- Adjustable set-point within the set temperature range.
- Positive flow shut-off in the event of cold supply or thermostat failure.
- Dial thermometer included; Universal valve mounting capability.
- ASSE 1017 certified for tempered water distribution (point-of-source)
- Max. inlet pressure: 125 psi; Max. inlet temperature: 200° F.

### Flow Capacities – GPM (L/Min)

Model	Min* Flow	Pressure Drop – PSI (Bar)						
		5 (.5)	10 (1.0)	15 (1.5)	20 (2.0)	30 (2.5)	45 (3.0)	60 (4.0)
S59-2045	5.0 (18.9)	12.0 (60.0)	17.0 (91.0)	21.0 (115.0)	25.0 (135.0)	31.0 (153.0)	37.0 (170.0)	42.0 (200.0)
S59-2080	8.0 (30.3)	24.0 (116.0)	34.0 (166.0)	44.0 (206.0)	48.0 (234.0)	60.0 (267.0)	74.0 (296.0)	85.0 (343.0)

\* If a continuously operating re-circulation pump is piped-in near the hot water source, a minimum GPM flow of 0.50 can be maintained.

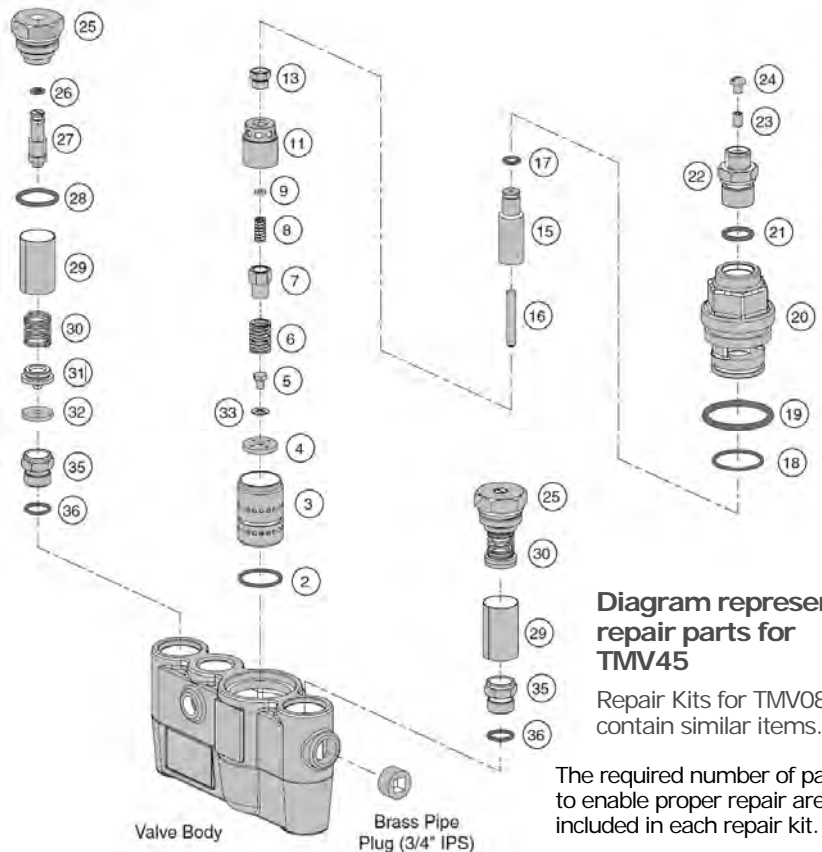
### TMV45, S59-2045 Repair Kits

Repair Kit	Items included	Wgt.	Order No.
Thermostat Kit S65-182	15, 17, 21	2.0	<b>BO1380</b>
Piston & Liner Kit S65-184	2-11, 13, 33	2.0	<b>BO1385</b>
Washer & Seal Kit S65-314	4, 9, 32-33	1.0	<b>BO1390</b>
O-Ring Kit S65-183	2, 17-19, 21, 26, 28, 36	1.0	<b>BO1395</b>
Check Valve Stop Kit S65-176	25-32, 35-36 2 of each item	2.8	<b>BO1400</b>
Center Section Kit S65-297	2-24, 33, 45	3.9	<b>BO1525</b>

### TMV80, S59-2080 Repair Kits

Repair Kit	Items included	Wgt.	Order No.
Thermostat Kit S65-191	15, 17, 21	2.0	<b>BO1530</b>
Piston & Liner Kit S65-193	2-8, 11, 13, 16, 45	2.0	<b>BO1535</b>
Washer & Seal Kit S65-316	4, 32, 45	1.0	<b>BO1540</b>
O-Ring Kit S65-192	2, 17-19, 21, 26, 28, 36	1.0	<b>BO1545</b>
Check Valve Stop Kit S65-190	25-32, 35-36 2 of each item	2.8	<b>BO1485</b>
Center Section Kit S65-298	2-8, 11, 13, 15-24, 45-46	3.9	<b>BO1550</b>

### TMV45 and TMV80 Repair Parts



**Diagram represents repair parts for TMV45**

Repair Kits for TMV80 contain similar items.

The required number of parts to enable proper repair are included in each repair kit.

# Bradley Standard Capacity Thermostatic Mixing Valves

## Model TMV130

Order No:  
**BO1335**

Weight: 40.0 lbs.

## Model TMV200

Part No. S59-2200

Order No:

**BO1340**

Weight: 50.0



Lead Free



### Features and Benefits:

- TMV130: 1¼" inlets (2) x 1½" outlet (1) x ¾" NPT cold water bypass.
- TMV200: 2" inlets (2) x 2" outlet (1) x ¾" NPT cold water bypass.
- Lead-free (ASSE 1017) brass design with a liquid-filled thermostat.
- Integral strainer checkstops located on each inlet
- Standard temperature range: 85° to 135° F. Set point @ 110° F.
- Low temperature range: 50° to 100° F. Set point @ 80° F.
- High temperature range: 100° to 150° F. Set point @ 130° F.
- Accurate temperature control within ± 3° F.
- Adjustable set-point within the set temperature range.
- Positive flow shut-off in the event of cold supply or thermostat failure.
- Universal valve mounting capability.
- ASSE 1017 certified for tempered water distribution (point-of-source)
- Max. inlet pressure: 125 psi; Max. inlet temperature: 200° F.

Model	Min* Flow	Pressure Drop – PSI (Bar)						
		5 (.5)	10 (1.0)	15 (1.5)	20 (2.0)	30 (2.5)	45 (3.0)	60 (4.0)
S59-2130	13.0 (50.0)	40.0 (185.0)	58.0 (265.0)	71.0 (327.0)	83.0 (380.0)	102.0 (428.0)	126.0 (470.0)	147.0 (546.0)

Model	Min† Flow	Pressure Drop – PSI (Bar)						
		5 (.5)	10 (1.0)	15 (1.5)	20 (2.0)	30 (2.5)	45 (3.0)	60 (4.0)
S59-2200	20.0 (75.7)	60.0 (280.0)	91.0 (403.0)	109.0 (500.0)	127.0 (580.0)	157.0 (653.0)	192.0 (720.0)	220.0 (836.0)

\* If a continuously operating re-circulation pump is piped-in near the hot water source, a minimum GPM flow of 0.50 can be maintained.

### TMV130, S59-2130 Repair Kits

Repair Kit	Items included	Wgt.	Order No.
Thermostat Kit S65-191	12, 13, 18	2.0	<b>BO1530</b>
Piston & Liner Kit S65-214	2-11	2.0	<b>BO1555</b>
Washer & Seal Kit S65-317	4, 25-26	1.0	<b>BO1560</b>
O-Ring Kit S65-213	2, 13-15, 18, 22, 30, 32	1.0	<b>BO1565</b>
Check Valve Stop Kit S65-212	22-33 2 of each item	2.8	<b>BO1460</b>
Center Section Kit S65-297	2-21	3.9	<b>BO1525</b>

### TMV200, S59-2200 Repair Kits

Repair Kit	Items included	Wgt.	Order No.
Thermostat Kit S65-191	12, 14, 19	2.0	<b>BO1530</b>
Piston & Liner Kit S65-193	2-11, 13	2.0	<b>BO1535</b>
Washer & Seal Kit S65-316	4, 26, 27	1.0	<b>BO1540</b>
O-Ring Kit S65-192	2, 14-16, 19, 23, 31,33	1.0	<b>BO1545</b>
Check Valve Stop Kit S65-190	23-34 2 of each item	2.8	<b>BO1485</b>
Center Section Kit S65-298	2-22	3.9	<b>BO1550</b>

### TMV130 and TMV200 Repair Parts

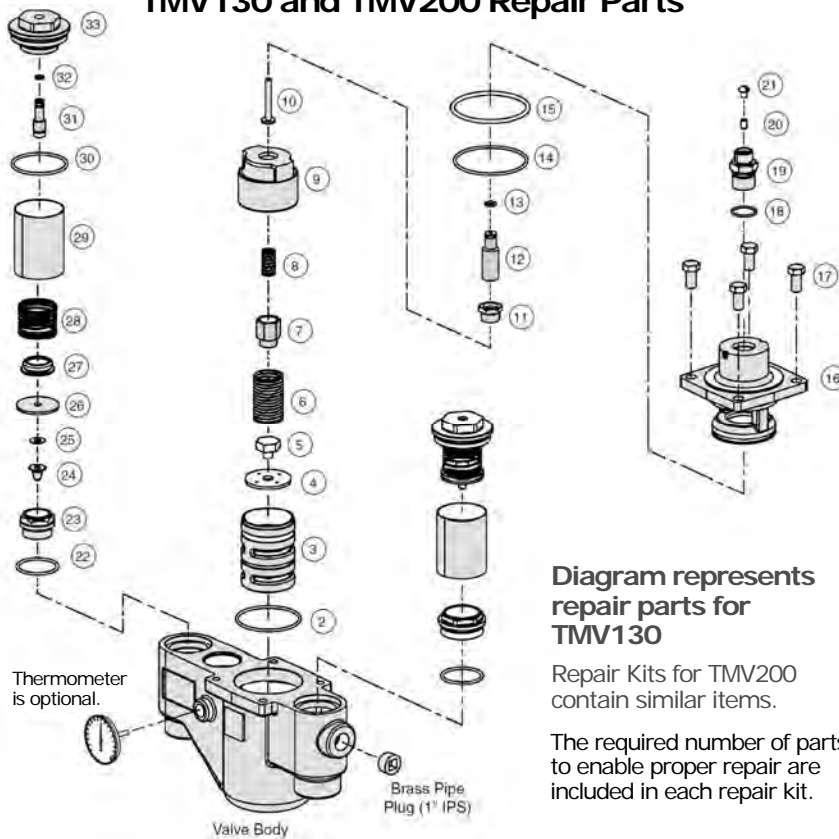


Diagram represents repair parts for TMV130

Repair Kits for TMV200 contain similar items.

The required number of parts to enable proper repair are included in each repair kit.

# Bradley Wash Fountain Thermostatic Mixing Valve

## Model, Vernatherm

Part No. S59-4008

**Order No:**  
**BO1570**

Weight: 5.0 lbs.



## Vernatherm Features and Specifications:

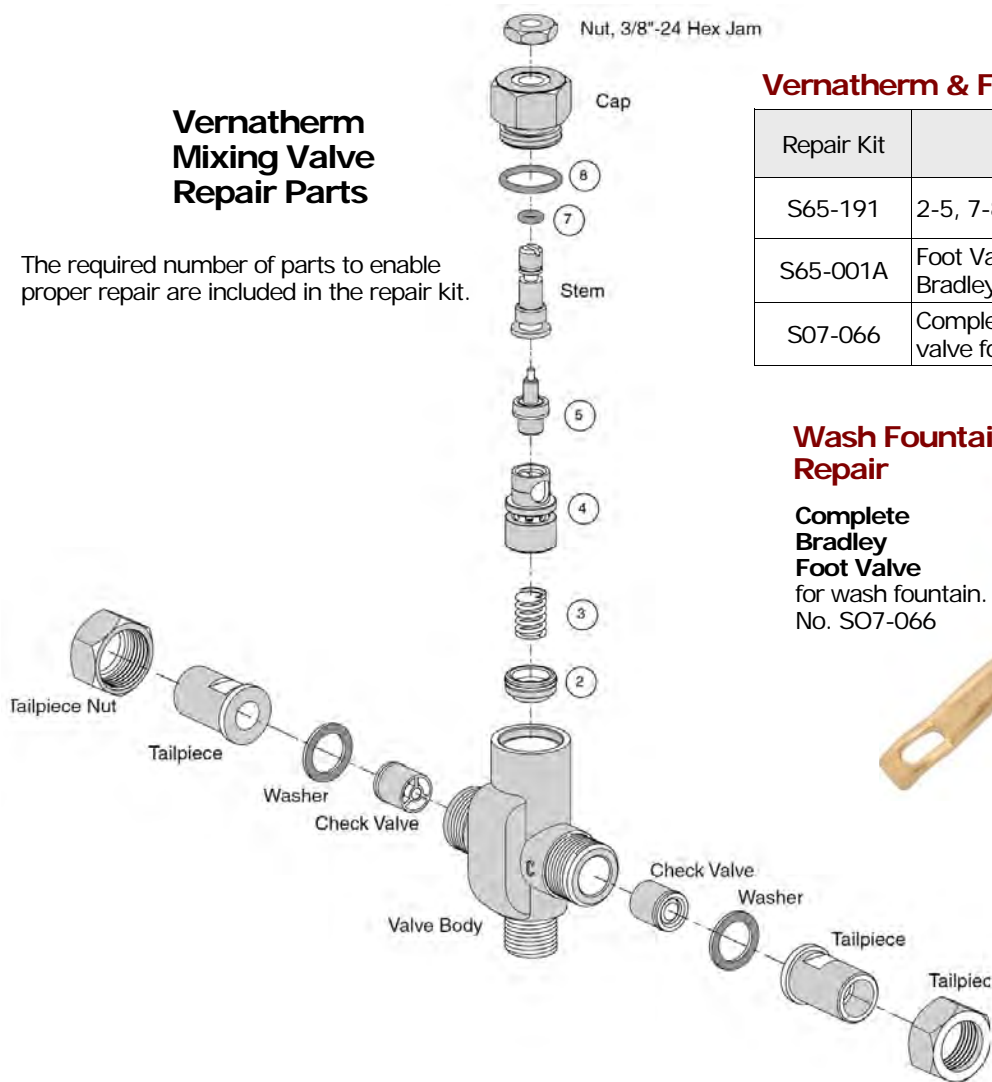
- ½" NPT male pipe tailpiece connection.
- Adjustable set point within the temperature range.
- Lead-free brass design with a liquid-filled thermostat.
- Check valves located on each supply inlet
- Standard temperature range: 95° to 115° F.
- ASSE 1070 certified for point-of-use or –source application.
- Often found on Bradley wash fountains.
- Accurate temperature control within ± 3° F.
- Reliable wax-filled thermostat.
- Universal mounting capability.
- Max. inlet pressure: 125 psi; Max. inlet temperature: 180° F.

## Flow Capacities – GPM (L/Min)

Model	Min. Flow	Pressure Drop – PSI (Bar)						
		5 (.5)	10 (1.0)	15 (1.5)	20 (2.0)	30 (2.5)	45 (3.0)	60 (4.0)
<b>S59-4008</b>	0.5 (2.0)	2.5 (11.5)	3.5 (16.0)	4.5 (20.0)	5.0 (23.0)	6.0 (25.5)	7.5 (28.0)	8.5 (32.0)

## Vernatherm Mixing Valve Repair Parts

The required number of parts to enable proper repair are included in the repair kit.



## Vernatherm & Foot Valve Repair Kits

Repair Kit	Items included	Wgt lbs.	Order No.
S65-191	2-5, 7-8 to repair mixing valve	1.2	<b>BO1530</b>
S65-001A	Foot Valve repair kit for Bradley wash fountain	0.9	<b>BO1060</b>
S07-066	Complete replacement foot valve for wash fountain	3.2	<b>BO1020</b>

## Wash Fountain Repair

Complete Bradley Foot Valve for wash fountain. No. S07-066





# Bradley Emergency Thermostatic Mixing Valves



**Model EFX8**  
Part No. S19-2000  
**Order No.**  
**BO1345**  
Weight: 10.0 lbs.

**For Emergency Safety Fixtures**  
Up to 10 GPM flow;  
7 gpm @ 30 psi



## Features and Benefits:

- ½" inlets (2) x ½" outlet (2, top or bottom).
- For emergency safety fixtures: 7 gpm flow @ 30 psi.
- ASSE 1071 & UPC certified, brass design with a liquid-filled thermostat.
- Checkstops located on each inlet. Rough brass finish.
- Built-in cold water bypass, assuring cold flow.
- Factory tested and assembled, universal mounting capability.
- Adjustable temperature range: 65° to 90° F. Set point @ 85° F.
- Accurate temperature control within ± 3° F.
- Adjustable set-point within the set temperature range.
- Positive flow shut-off in the event of cold supply or thermostat failure.
- Dial thermometer included.
- Max. inlet pressure: 125 psi; Max. inlet temperature: 180° F.

## Flow Capacities – GPM (L/Min)

Model	Min. Flow	Pressure Drop – PSI (Bar)						
		5 (.5)	10 (1.0)	15 (1.5)	20 (2.0)	30 (2.5)	45 (3.0)	60 (4.0)
<b>S19-2000</b>	1.5 (5.5)	3.0 (13.5)	4.0 (19.0)	5.0 (23.5)	6.0 (27.0)	7.3 (30.5)	9.0 (33.5)	10.5 (38.5)
<b>Cold Bypass Only</b>		2.3 (10.5)	3.2 (14.5)	4.0 (18.0)	4.6 (21.0)	5.6 (23.5)	6.8 (25.5)	7.7 (29.5)

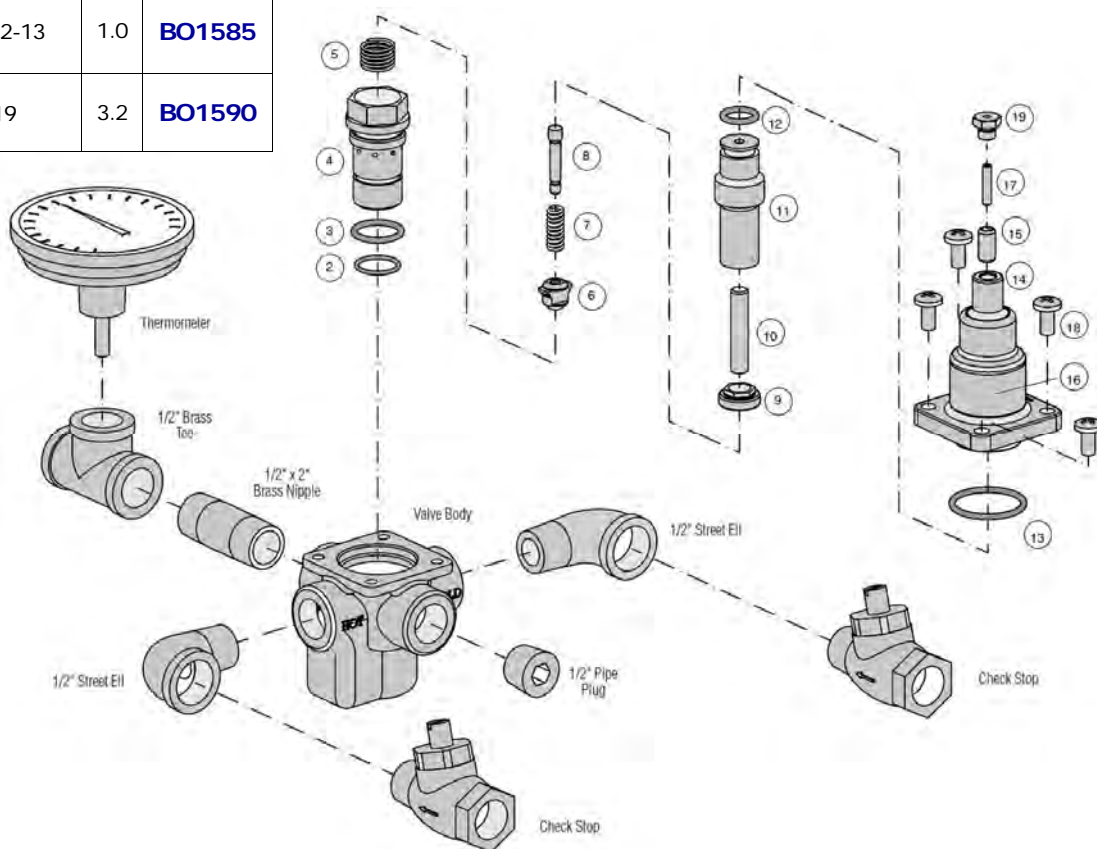
This S19-2000 fixture is not intended to dispense water for human consumption through drinking or preparation of food or beverages.

## EFX8 Repair Kits

Repair Kit	Items included	Wgt.	Order No.
Thermostat Kit S65-171	11-13	2.0	<b>BO1575</b>
Piston & Liner Kit S65-172	2-9	2.0	<b>BO1580</b>
O-Ring Kit S65-170	2-3, 12-13	1.0	<b>BO1585</b>
Center Section Kit S65-303	2-19	3.2	<b>BO1590</b>

The required number of parts to enable proper repair are included in each repair kit.

## EFX8 Repair Parts



# Bradley Emergency Thermostatic Mixing Valves

**Model EFX20**  
 Part No. S19-2150  
**Order No:**  
**BO1350**  
 Weight: 20.0 lbs.



**For Emergency Safety Fixtures**  
 Up to 30 GPM flow; 19 gpm @ 30 psi

## Features and Benefits:

- ¾" inlets (2) x 1" outlet (1) x ¾" cold water bypass, NPT pipe.
- For emergency safety fixtures: 19 gpm flow @ 30 psi.
- ASSE 1071 & UPC certified, brass design with a liquid-filled thermostat.
- Checkstops with integral strainers located on each inlet.
- Built-in cold water bypass, assuring cold flow.
- Factory tested and assembled, universal mounting capability.
- Adjustable temperature range: 65° to 90° F. Set point @ 85° F.
- Accurate temperature control within ± 3° F.
- Adjustable set-point within the set temperature range.
- Positive flow shut-off in the event of cold supply or thermostat failure.
- Dial thermometer included.
- Max. inlet pressure: 125 psi; Max. inlet temperature: 180° F.

## Flow Capacities – GPM (L/Min)

Model	Min. Flow	Pressure Drop – PSI (Bar)						
		5 (.5)	10 (1.0)	15 (1.5)	20 (2.0)	30 (2.5)	45 (3.0)	60 (4.0)
S19-2150	3.0 (11.5)	6.0 (29.0)	9.5 (46.0)	12.5 (60.0)	15.0 (72.0)	19.5 (83.5)	25.5 (96.5)	30.5 (113.5)

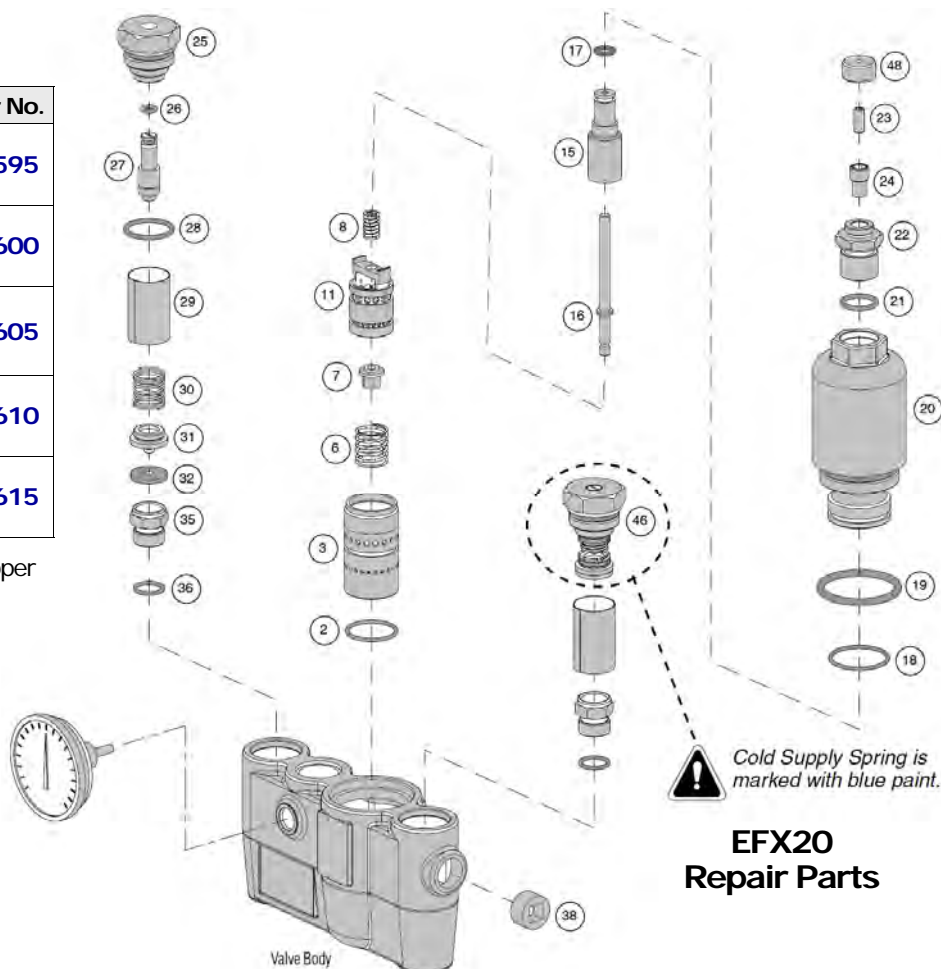
Minimum cold water bypass at 30 PSID: 8.0 GPM

This S19-2150 fixture is not intended to dispense water for human consumption through drinking or preparation of food or beverages.

## EFX20, S19-2150 Repair Kits

Repair Kit	Items included	Wgt.	Order No.
Thermostat Kit S65-408	15, 17, 21	2.0	<b>BO1595</b>
Piston & Liner Kit S65-409	2-3, 6-8, 11, 16	2.0	<b>BO1600</b>
O-Ring & Seal Kit S65-410	2, 17-19, 21, 26, 28, 32, 36	1.0	<b>BO1605</b>
Check Valve Stop Kit S65-337	25-32, 35-36, 46 Repair for 2 valves	3.0	<b>BO1610</b>
Center Section Kit S65-411	2-3, 6-8, 11, 15-24, 48	3.4	<b>BO1615</b>

The required number of parts to enable proper repair are included in each repair kit.



**!** Cold Supply Spring is marked with blue paint.

## EFX20 Repair Parts

# Bradley Emergency Thermostatic Mixing Valves

**Model EFX25**  
 Part No. S19-2100  
**Order No:**  
**BO1355**  
 Weight: 20.0 lbs.



### Features and Benefits:

- 3/4" inlets (2) x 1" outlet (1) x 3/4" cold water bypass, NPT pipe.
- For emergency safety fixtures: 26 gpm flow @ 30 psi.
- ASSE 1071 & UPC certified, brass design with a liquid-filled thermostat.
- Checkstops with integral strainers located on each inlet.
- Built-in cold water bypass, assuring cold flow.
- Factory tested and assembled, universal mounting capability.
- Adjustable temperature range: 65° to 90° F. Set point @ 85° F.
- Accurate temperature control within ± 3° F.
- Adjustable set-point within the set temperature range.
- Positive flow shut-off in the event of cold supply or thermostat failure.
- Dial thermometer included.
- Max. inlet pressure: 125 psi; Max. inlet temperature: 180° F.

### Flow Capacities – GPM (L/Min)

Model	Min. Flow	Pressure Drop – PSI (Bar)						
		5 (.5)	10 (1.0)	15 (1.5)	20 (2.0)	30 (2.5)	45 (3.0)	60 (4.0)
S19-2100	2.0 (5.5)	10.5 (48.5)	15 (68.5)	18.5 (84.0)	21.3 (97.0)	26.0 (108.5)	32.0 (119.0)	37.0 (137.0)
Cold Bypass Only		8.0 (37.0)	11.5 (52.0)	14 (64.5)	16.5 (74.0)	20.0 (83.0)	24.5 (91.0)	28.0 (105.0)

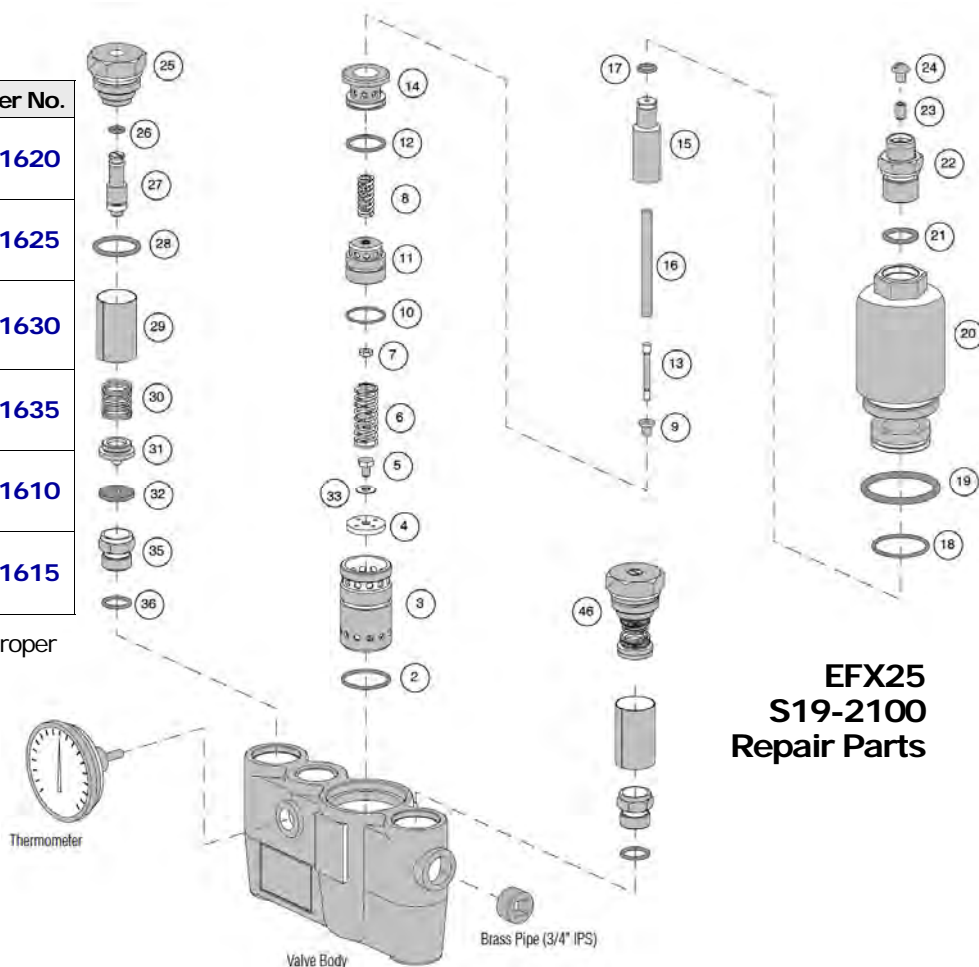
**For Emergency Safety Fixtures**  
 Up to 37 GPM flow; 26 gpm @ 30 psi

This S19-2100 fixture is not intended to dispense water for human consumption through drinking or preparation of food or beverages.

### EFX25, S19-2100 Repair Kits

Repair Kit	Items included	Wgt.	Order No.
Thermostat Kit S65-174	12, 13, 18		<b>BO1620</b>
Piston & Liner Kit S65-175	2-14, 33		<b>BO1625</b>
Washer & Seal Kit S65-310	4, 32-33		<b>BO1630</b>
O-Ring Kit S65-173	2, 10, 12, 17-19, 21, 26, 28, 36		<b>BO1635</b>
Check Valve Stop Kit S65-337	25-32, 35-36, 46 2 of each except #30 & #46		<b>BO1610</b>
Center Section Kit S65-304	2-24, 33		<b>BO1615</b>

The required number of parts to enable proper repair are included in each repair kit.



**EFX25  
 S19-2100  
 Repair Parts**

# Bradley Emergency Thermostatic Mixing Valves

**Model EFX50**  
 Part No. S19-2250  
**Order No:**  
**BO1360**  
 Weight: 30.0 lbs.



**For Emergency Safety Fixtures**  
 Up to 65 GPM flow; 40 gpm @ 30 psi

### Features and Benefits:

- 1" inlets (2) x 1/4" outlet (1) x 3/4" cold water bypass, NPT pipe.
- For emergency safety fixtures: 40 gpm flow @ 30 psi.
- ASSE 1071 & UPC certified, brass design with a liquid-filled thermostat.
- Checkstops with integral strainers located on each inlet.
- Built-in cold water bypass, assuring cold flow.
- Factory tested and assembled, universal mounting capability.
- Adjustable temperature range: 65° to 95° F. Set point @ 85° F.
- Accurate temperature control within ± 3° F.
- Adjustable set-point within the set temperature range.
- Positive flow shut-off in the event of cold supply or thermostat failure.
- Dial thermometer included.
- Max. inlet pressure: 125 psi; Max. inlet temperature: 180° F.

### Flow Capacities – GPM (L/Min)

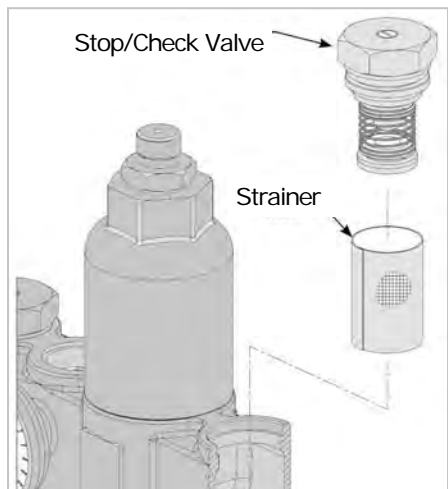
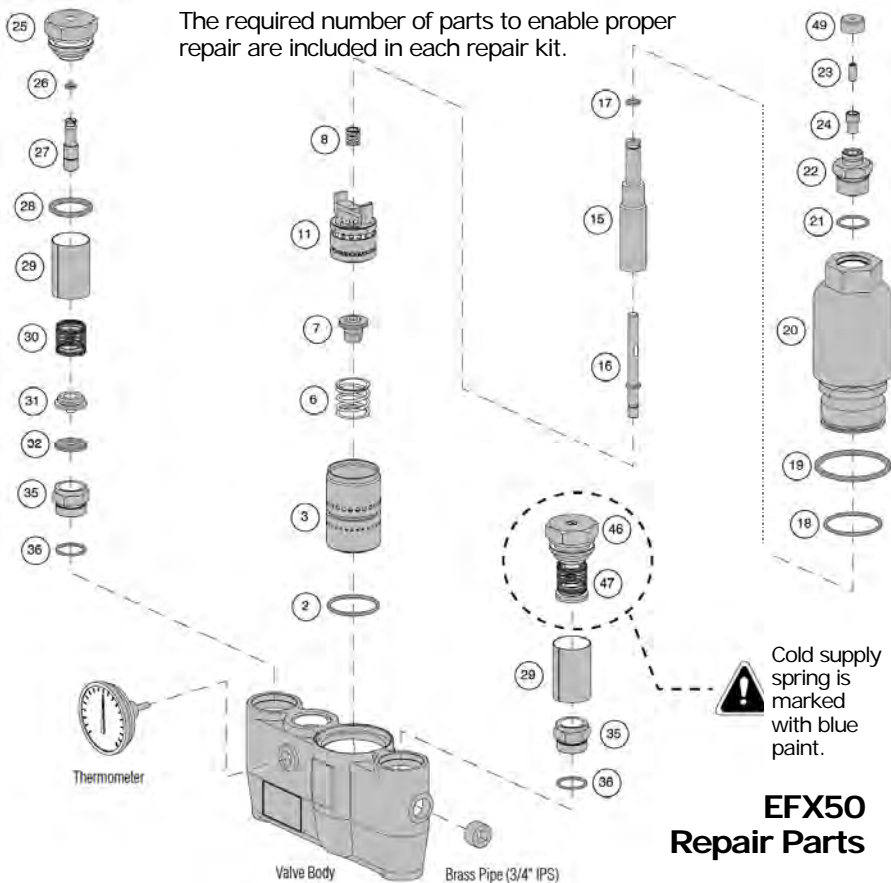
Model	Min. Flow	Pressure Drop – PSI (Bar)						
		5 (.5)	10 (1.0)	15 (1.5)	20 (2.0)	30 (2.5)	45 (3.0)	60 (4.0)
S19-2250	3.0 (11.5)	15.0 (70.0)	22.0 (100.0)	27.0 (127.0)	32.0 (153.0)	40.5 (177.0)	54.0 (200.0)	65.0 (240.0)

Minimum cold water bypass at 30 PSID (2 bar): 28.5 GPM (106 L/Min)

This S19-2250 fixture is not intended to dispense water for human consumption through drinking or preparation of food or beverages.

### EFX50, S19-2250 Repair Kits

Repair Kit	Items included	Wgt.	Order No.
Thermostat Kit S65-412	15, 17, 21	2.0	<b>BO1645</b>
Piston & Liner Kit S65-413	2-3, 6-7, 8, 11, 16	1.6	<b>BO1650</b>
O-Ring & Seal Kit S65-414	2, 17-19, 21, 26, 28, 32, 36	1.0	<b>BO1655</b>
Check Valve Stop Kit S65-359	25-32, 35-36, 47	3.1	<b>BO1660</b>
Center Section Kit S65-415	2-3, 6-8, 11, 15-24, 49	3.9	<b>BO1665</b>



### EFX50 Repair Parts

# Bradley Emergency Thermostatic Mixing Valves

**Model EFX60**  
 Part No. S19-2200  
**Order No:**  
**BO1365**  
 Weight: 30.0 lbs.



**Features and Benefits:**

- 1" inlets (2) x 1/4" outlet (1) x 3/4" cold water bypass, NPT pipe.
- For emergency safety fixtures: 53 gpm flow @ 30 psi.
- ASSE 1071 & UPC certified, brass design with a liquid-filled thermostat.
- Checkstops with integral strainers located on each inlet.
- Built-in cold water bypass, assuring cold flow.
- Factory tested and assembled, universal mounting capability.
- Adjustable temperature range: 65° to 95° F. Set point @ 85° F.
- Accurate temperature control within ± 3° F.
- Adjustable set-point within the set temperature range.
- Positive flow shut-off in the event of cold supply or thermostat failure.
- Dial thermometer included.
- Max. inlet pressure: 125 psi; Max. inlet temperature: 180° F.

**Flow Capacities – GPM (L/Min)**

Model	Min. Flow	Pressure Drop – PSI (Bar)						
		5 (.5)	10 (1.0)	15 (1.5)	20 (2.0)	30 (2.5)	45 (3.0)	60 (4.0)
<b>S19-2200</b>	2.0 (7.5)	22.0 (99.5)	31.0 (141.0)	38.0 (172.5)	43.5 (199.0)	53.5 (222.5)	65.5 (244.0)	75.5 (281.5)
Cold Bypass Only		16.5 (76.3)	23.5 (108.0)	29.0 (132.0)	33.5 (152.5)	41 (170.5)	50.0 (187.0)	58.0 (216.0)

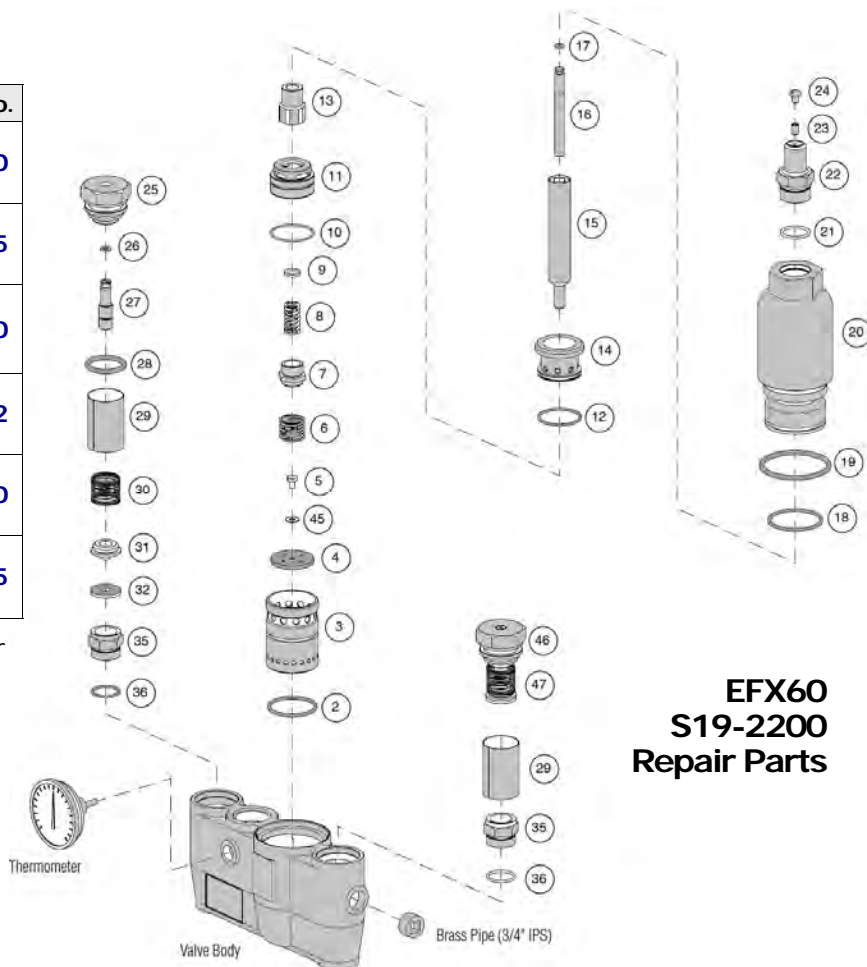
**For Emergency Safety Fixtures**  
 Up to 75 GPM flow; 53 gpm @ 30 psi

This S19-2200 fixture is not intended to dispense water for human consumption through drinking or preparation of food or beverages.

**EFX60, S19-2200 Repair Kits**

Repair Kit	Items included	Wgt.	Order No.
Thermostat Kit S65-178	15, 17, 21	2.0	<b>BO1670</b>
Piston & Liner Kit S65-180	2-14, 45	2.0	<b>BO1675</b>
Washer & Seal Kit S65-311	4, 9, 32, 45	1.1	<b>BO1680</b>
O-Ring Kit S65-177	2, 10, 12, 17-19, 21, 26, 28, 36	1.0	<b>BO1682</b>
Check Valve Stop Kit S65-359	25-32, 35-36, 47 2 of each except #30 & #47	3.1	<b>BO1660</b>
Center Section Kit S65-305	2-24, 45	3.9	<b>BO1685</b>

The required number of parts to enable proper repair are included in each repair kit.



**EFX60  
 S19-2200  
 Repair Parts**

# Bradley Emergency Thermostatic Mixing Valves

## Model EFX120

Part No. S19-2350

Order No:  
**BO1370**

Weight: 40.0 lbs.



### Features and Benefits:

- 1/4" inlets (2) x 1/2" outlet (1) x 3/4" cold water bypass, NPT pipe.
- For emergency safety fixtures: 72 gpm flow @ 30 psi.
- ASSE 1071 & UPC certified, brass design with a liquid-filled thermostat.
- Checkstops with integral strainers located on each inlet.
- Built-in cold water bypass, assuring cold flow.
- Factory tested and assembled, universal mounting capability.
- Adjustable temperature range: 65° to 95° F. Set point @ 85° F.
- Accurate temperature control within ± 3° F.
- Adjustable set-point within the set temperature range.
- Positive flow shut-off in the event of cold supply or thermostat failure.
- Dial thermometer included.
- Max. inlet pressure: 125 psi; Max. inlet temperature: 180° F.

### Flow Capacities – GPM (L/Min)

Model	Min. Flow	Pressure Drop – PSI (Bar)						
		5 (.5)	10 (1.0)	15 (1.5)	20 (2.0)	30 (2.5)	45 (3.0)	60 (4.0)
<b>S19-2350</b>	3.0 (11.5)	25.0 (125.0)	41.0 (189.0)	51.0 (236.0)	60.0 (275.0)	72.5 (310.0)	92.0 (340.0)	107.0 (398.0)

Minimum cold water bypass at 30 PSID: 30 GPM

This S19-2350 fixture is not intended to dispense water for human consumption through drinking or preparation of food or beverages.

### For Emergency Safety Fixtures

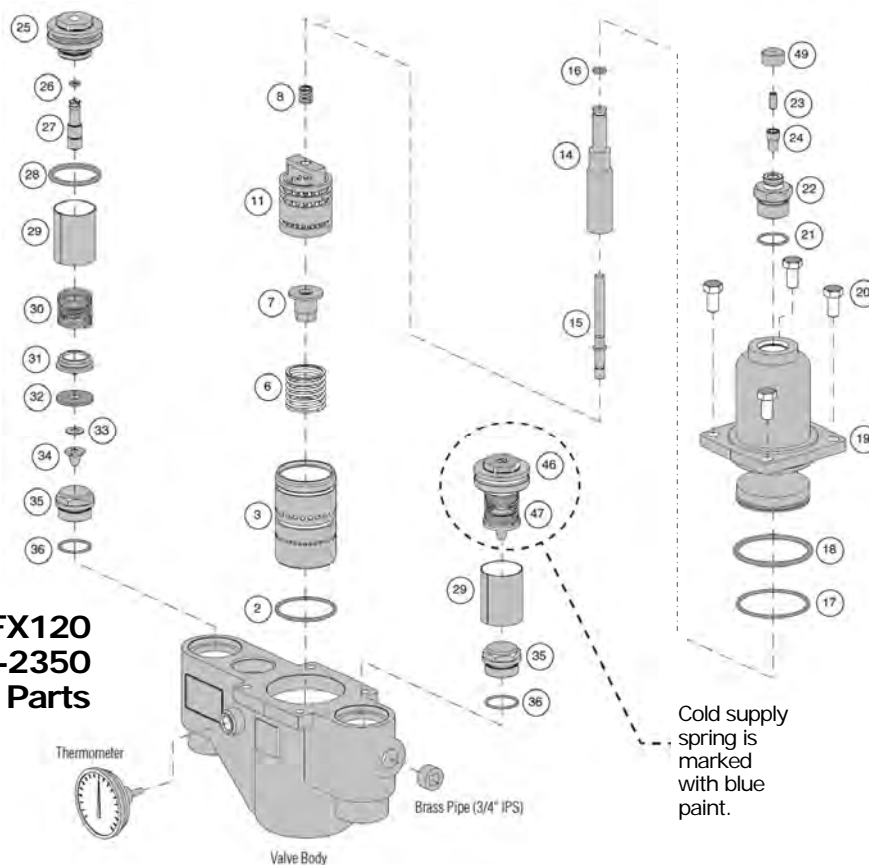
Up to 107 GPM flow; 72 gpm @ 30 psi

### EFX120, S19-2350 Repair Kits

Repair Kit	Items included	Wgt.	Order No.
Thermostat Kit S65-421	14, 16, 21	2.0	<b>BO1690</b>
Piston & Liner Kit S65-422	2, 3, 6-8, 11, 15	1.4	<b>BO1695</b>
O-Ring & Seal Kit S65-423	2, 16-18, 21, 26, 28, 32, 36	1.1	<b>BO1700</b>
Check Valve Stop Kit S65-212	25-36 <i>2 of each except #30 (1)</i>	3.8	<b>BO1460</b>
Center Section Kit S65-416	2-3, 6-8, 11, 14-24, 49	4.1	<b>BO1705</b>

The required number of parts to enable proper repair are included in each repair kit.

### EFX120 S19-2350 Repair Parts



# Bradley Emergency Thermostatic Mixing Valves

## Model EFX125

Part No. S19-2300

**Order No:**  
**BO1375**

Weight: 40.0 lbs.



### Features and Benefits:

- 1¼" inlets (2) x 1½" outlet (1) x ¾" cold water bypass, NPT pipe.
- For emergency safety fixtures: 82 gpm flow @ 30 psi.
- ASSE 1071 & UPC certified, brass design with a liquid-filled thermostat.
- Checkstops with integral strainers located on each inlet.
- Built-in cold water bypass, assuring cold flow.
- Factory tested and assembled, universal mounting capability.
- Adjustable temperature range: 65° to 95° F. Set point @ 85° F.
- Accurate temperature control within ± 3° F.
- Adjustable set-point within the set temperature range.
- Positive flow shut-off in the event of cold supply or thermostat failure.
- Dial thermometer included.
- Max. inlet pressure: 125 psi; Max. inlet temperature: 180° F.

### Flow Capacities – GPM (L/Min)

Model	Min. Flow	Pressure Drop – PSI (Bar)						
		5 (.5)	10 (1.0)	15 (1.5)	20 (2.0)	30 (2.5)	45 (3.0)	60 (4.0)
<b>S19-2300</b>	3.0 (11.5)	33.5 (153.0)	47.5 (216.3)	58.0 (265.0)	67.0 (306.0)	82.0 (342.0)	100.5 (374.5)	116.0 (432.5)
<b>Cold Bypass Only</b>		25.5 (117.3)	36.5 (166.0)	44.5 (203.0)	51.5 (234.5)	63.0 (262.0)	77.0 (287.0)	89.0 (331.5)

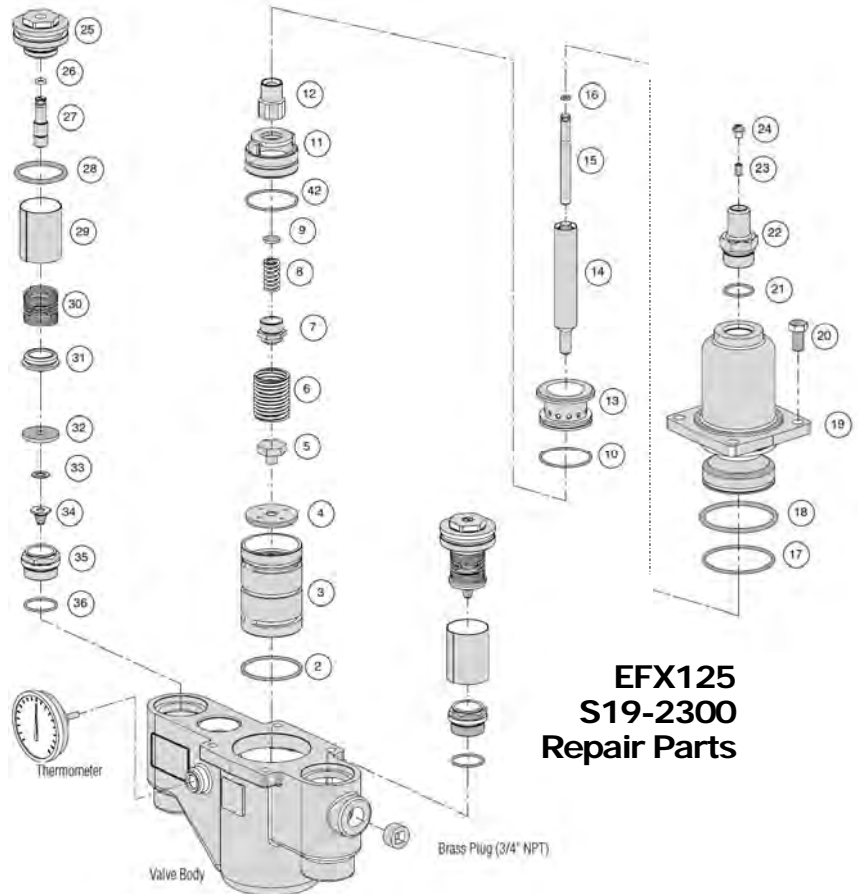
**For Emergency Safety Fixtures**  
Up to 116 GPM flow; 82 gpm @ 30 psi

This S19-2300 fixture is not intended to dispense water for human consumption through drinking or preparation of food or beverages.

## EFX125, S19-2300 Repair Kits

Repair Kit	Items included	Wgt.	Order No.
Thermostat Kit S65-178	14, 16, 21	2.4	<b>BO1670</b>
Piston & Liner Kit S65-288	2-13, 42	1.6	<b>BO1710</b>
Washer & Seal Kit S65-312	4, 9, 32, 33	1.3	<b>BO1715</b>
O-Ring Kit S65-289	2, 10, 16-18, 21, 26, 28, 36, 42	1.0	<b>BO1720</b>
Check Valve Stop Kit S65-212	25-36 2 of each except #30 (1)	3.9	<b>BO1460</b>
Center Section Kit S65-416	2-24, 42	4.5	<b>BO1705</b>

The required number of parts to enable proper repair are included in each repair kit.



**EFX125  
S19-2300  
Repair Parts**

# Cash Acme Thermostatic Mixing Valves

## Cash Acme MasterGuard Series 800 High Capacity Mixing Valves



1 1/2" x 2"  
Model 860



3/4" Model 830



Lead Free  
For Potable Water

High capacity thermostatic mixing valve to supply the domestic water needs of a whole building, or section of a building. Delivers mixed tempered water at controlled temperatures up to 150° F and up to 149 gpm @ 45 psi differential pressure.

The MasterGuard 800 series mixing valves are shipped complete as a kit with 4-in-1 service fittings (integral ball valves, strainer, gauge/flushing port and check valves) on each inlet. The service fittings have a female inlet thread to secure the base through the union connections. Available in sizes from 3/4" through 2".

### MasterGuard 800 Features & Benefits:

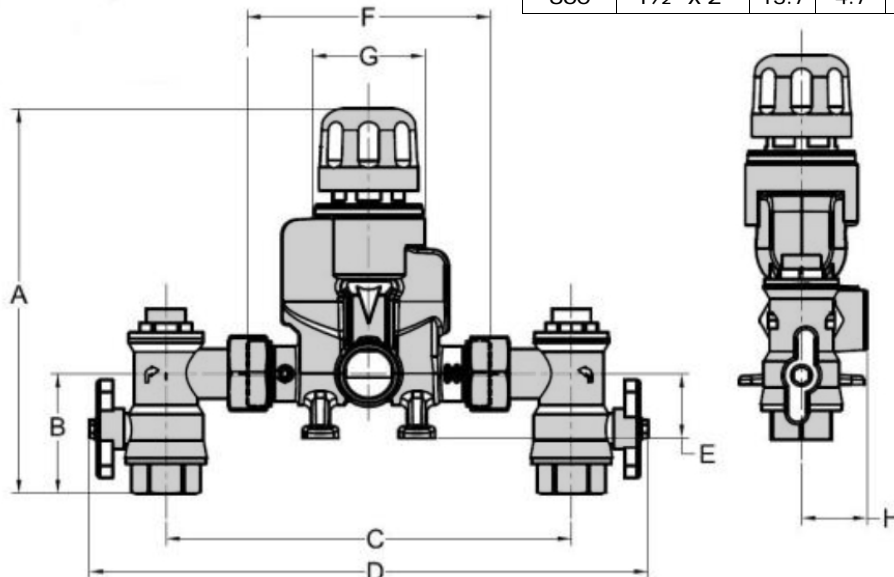
- Accurate temperature control, even at low flows.
- Integral "mounting" feet on valve body.
- Listed and certified by IAMPO and ASSE - Lead free.
- Certified ASSE 1017; CSA B125.3
- Outlet temperature range: 95-150° F.
- Hot supply temperature: 120-180° F.
- Cold supply temperature: 39-80° F.
- Maximum pressure: 145 psi. ■ Call for Repair Parts.

Model No.	NPT Pipe In x Out	Minimum Flow GPM	GPM Flow @ 45 psi Differential	Wgt lbs.	Order No.
830	3/4" x 1"	4.0	51 gpm	13	<a href="#">CC2100</a>
840	1" x 1 1/4"	8.0	75 gpm	13	<a href="#">CC2105</a>
850	1 1/4" x 1 1/2"	13.0	105 gpm	27	<a href="#">CC2110</a>
860	1 1/2" x 2"	18.5	149 gpm	27	<a href="#">CC2115</a>

### Product Dimensions

Model No.	Pipe Size	Dimensions, INCHES							
		A	B	C	D	E	F	G	H
830	3/4" x 1"	10.6	3.2	10.3	13.8	1.7	6.5	3.5	2.7
840	1" x 1 1/4"	11.0	3.6	10.3	13.8	1.7	6.5	3.5	2.8
850	1 1/4" x 1 1/2"	13.2	4.2	14.6	19.8	2.5	9.3	5.1	2.7
860	1 1/2" x 2"	13.7	4.7	14.6	19.8	2.5	9.3	5.1	1.9

### Cash Acme 800 Series Dimension Guide





# Cash Acme Thermostatic Mixing Valves

## Cash Acme HG110-D Standard Capacity Thermostatic Mixing Valves



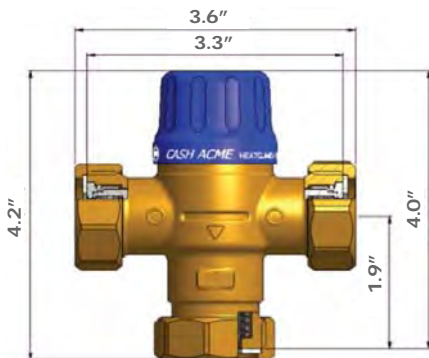
The HG110-D thermostatic mixing valves can be used at the point-of-source (water heater) or the point-of-use (faucets, showers, etc.) to control distributable water temperature to fixtures where the user has no control of water temperature.

At the point of source, the water heater can be set to a germ killing temperature of 140° or higher to aid in the prevention of Legionella bacteria in the water heater. Also, the higher water tank temperature means extended supply of hot water while meeting demands of high use.

### HeatGuard Standard Capacity HG110-D Features & Benefits:

- Accurate temperature control, even at low flows.
- Lockable temperature adjustment to secure desired water temperature.
- Integral check valves and Certified Lead Free construction.
- Triple Certified ASSE 1017, 1069 and 1070; CSA B125.3
- Adjustable outlet temperature range: 85-130° F.
- Hot supply temperature: 120-180° F.
- Cold supply temperature: 39-80° F.
- Maximum pressure: 230 psi. ■ Call for Repair Parts.

### HG110-D Dimensions (All)



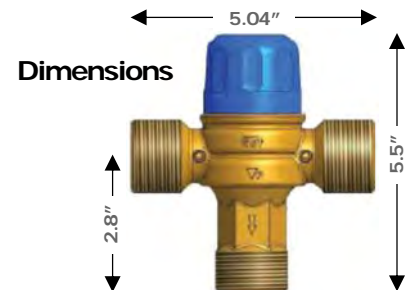
Model No.	Part No.	Connection	In x Out	Minimum Flow GPM	GPM Flow @ 45 psi drop	Wgt lbs.	Order No.
HG110-D	24510	Female Pipe	1/2"	1.0	14.1	2.1	CC2120
	24511	Male Pipe	3/4"		16.7	2.3	CC2125
	24501	Sweat	1/2"		13.4	1.8	CC2130
	24502		3/4"		15.9	1.8	CC2135
	24503		1"		18.9	2.0	CC2140
	24508	CPVC	1/2"		14.1	1.8	CC2145
	24509		3/4"		16.7	1.8	CC2150
	24506	PEX	1/2"		14.1	1.8	CC2155
	24507	Barbed	3/4"		16.7	1.8	CC2160

## Cash Acme HG115-LF Thermostatic Mixing Valves

The Heatguard® HG115-LF is a large sized high flow rate thermostatic mixing valve that mixes hot water with cold to deliver tempered water at a controlled pre-set temperature. Designed for installation near the water heater to distribute controlled temperature water throughout the domestic hot water system for commercial applications. The valve is factory set to deliver water at a maximum of 120°F, allowing the heater to be set at 140°F or higher. The outlet water flow rate is 27.2 gpm at 50 psi, making it suitable for larger residential and commercial installations.

### HeatGuard High Capacity HG115-LF Features & Benefits:

- Accurate temperature control, even at low flows.
- Lockable temperature adjustment to secure desired water temperature.
- Integral check valves and Certified Lead Free construction.
- Certified ASSE 1017; CSA B125.3
- Adjustable outlet temperature range: 85-130° F.
- Hot supply temperature: 120-180° F. ■ Cold supply temperature: 39-80° F.
- Maximum pressure: 230 psi. ■ Call for Repair Parts.



Model No.	Part No.	Connection	In x Out	Minimum Flow GPM	GPM Flow @ 45 psi drop	Wgt lbs.	Order No.
HG115-LF	24522	Threaded MPT	3/4"	1.0	19.8	3.5	CC2165
	24519	Sweat	3/4"		18.3	3.5	CC2170
	24520		1"		22.4	3.5	CC2175
	24521		1 1/4"		26.8	3.5	CC2180

# Cash Acme Thermostatic Mixing Valves

## Cash Acme HG145-LF Thermostatic Mixing Valves

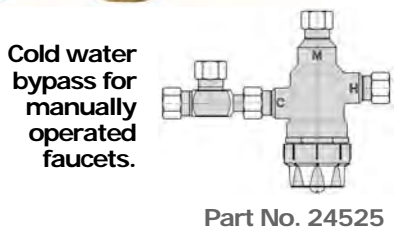


The HeatGuard 145-LF is a lead free compact thermostatic mixing valve intended for use with individual, single faucets - Either manual or electronic sensing faucets.

The HeatGuard 145-LF provides stable temperatures of tempered water at flows as low as 0.34 GPM. The valve also reduces the outlet flow to a trickle in the event of cold water supply failure. The valve features a snap-on cover over a spindle mechanism that required a special tool (included) to adjust the temperature. Inlet connections to suit a 3/8" flexible hose or 3/8" O.D. tubing.

### HeatGuard Standard Capacity HG145-LF Features & Benefits:

- For potable water. Easily fits under or behind a single wash basin.
- Included wall mounting clamp for secure positioning.
- Integral strainer screens on both inlet and outlet.
- Certified ASSE 1070. Most often installed at the point-of-use.
- Adjustable outlet temperature range: 95-118° F.
- Hot supply temperature: 120-194° F.
- Cold supply temperature: 39-85° F.
- Maximum pressure: 230 psi.



Model No.	Part No.	Connection	In x Out	Min. GPM	GPM Flow @ 45 psi drop	Wgt lbs.	Order No.
HG 145LF	24524	Compression & braided hose	3/8"	0.34	5.8	5.3	<a href="#">CC2185</a>
	24525	Compression & Cold Water BP				5.5	<a href="#">CC2190</a>

## Cash Acme HG160-LF Thermostatic Mixing Valves

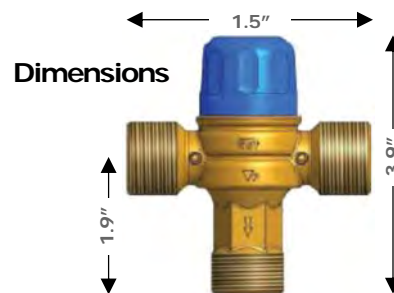
The Heatguard® HG160-LF lead free thermostatic mixing valve is designed to control the water temperature to individual or multiple fixtures such as sinks, lavatories, bath tubs and related fixtures. The HG160-LF reduces the risk of an end user experiencing scalding or thermal shock. It can also be installed in gang shower applications where the end user has no access to temperature control.

### HeatGuard High Capacity HG160-LF Features & Benefits:

- Accurate temperature control, even under varying supply conditions.
- Every valve has integral checks on the inlets and outlets.
- Unique, purpose designed temperature adjusting tool.
- Total flow shut off if cold water supply fails.
- Certified ASSE 1069 and 1070; CSA B125.3
- Adjustable outlet temperature range: 95-120° F.
- Hot supply temperature: 120-180° F.
- Cold supply temperature: 39-80° F.
- Minimum flow rate: 0.34 GPM; Maximum flow rate: 11.0 GPM.
- Maximum pressure: 145 psi.



Model No.	Part No.	Connection	In x Out	Minimum Flow GPM	GPM Flow @ 45 psi drop	Wgt lbs.	Order No.
HG160-LF	24528	Sweat	1/2"	0.34	8.2	1.9	<a href="#">CC2195</a>
	24531	PEX barb	1/2"		9.8	1.9	<a href="#">CC2200</a>
	24532		3/4"		11.0	1.9	<a href="#">CC2205</a>
	24536	Threaded NPT	1/2"		9.2	1.9	<a href="#">CC2210</a>
	24529	SharkBite	1/2"		9.2	1.9	<a href="#">CC2215</a>
	24530		3/4"		11.0	2.1	<a href="#">CC2220</a>
	24533	CPVC	1/2"		9.2	1.9	<a href="#">CC2225</a>
	24534		3/4"		11.0	1.9	<a href="#">CC2230</a>



# Cash Acme Valve Doubles Hot Water Heater Capacity

## Hot Water Heater Capacity Booster Thermostatic Mixing Valve



Combining a thermostatic mixing valve, hose connector (flexible braided or corrugated), temperature gauge & water heater tee in one package. Tank Booster PRO can double a building's hot water heater capacity, while delivering safe hot water.

Installing a Tank Booster PRO can increase the amount of usable hot water by as high as 234% on gas water heaters, and 125% on electric water heaters. Because this unit is a mixing valve, one can store water at 140° without the risk of scalding while potentially eliminating growth of the Legionnaire bacteria.

### Tank Booster PRO Features & Benefits:

- Easy add-on water heater mixing valve increases amount of usable hot water.
- Delivers safe temperature water to all related wash fixtures.
- Reduces risk of Legionella bacteria when water is heated to 140° F.
- Certified ASSE 1017, ASSE 1070 and CSA B125.3
- Adjustable outlet temperature range: 95-130° F. Factory set @ 115° F.
- Hot supply temperature: 90-195° F.
- Cold supply temperature: 39-80° F.
- Maximum supply pressure: 150 psi.
- Integral checks built-in.
- **Connections:** 3/4" male pipe x 3/4" female union pipe x 3/4" NPSH cold inlet.

Model No.	Part No.	Hose Connection	GPM Flow @ 40 psi	Wgt lbs.	Order No.
TBP-BH	24644	S.S. braided hose	10 gpm	3.2	<a href="#">CC2235</a>
TBP-CH	24643	Corrugated hose		3.2	<a href="#">CC2240</a>

## Cash Acme Temperature Gauges for Thermostatic Mixing Valves

The cash Acme temperature gauge is used to measure the mixed water outlet temperature from a Cash Acme Heatguard thermostatic mixing valve.

### Cash Acme Temperature Gauge Features & Benefits:

- Visual verification of tempered water outlet temperature.
- Loose nut connection allows for quick & easy installation.
- Superior reliability via robust but simple construction.
- Temperature read-out range: 32 to 210° F.
- Maximum pressure rating: 230 psi
- Gauge accuracy: ± 6%

Model No.	Part No.	Connection Size	Wgt lbs.	Order No.
TG-TBP	24412	1" pipe union x 1" male pipe	1.9	Special Order
TBP-CH	25376	3/4" pipe union x 3/4" male pipe	1.6	<a href="#">CC2250</a>



Gauge installation on a 110D, 110HX and 160 Mixing Valve



Gauge installation on a Tank Booster Pro Mixing Valve



**Part No. 25376** is used on the mixed water outlet of the Tank Booster and Tank Booster PRO thermostatic mixing valves.



24412

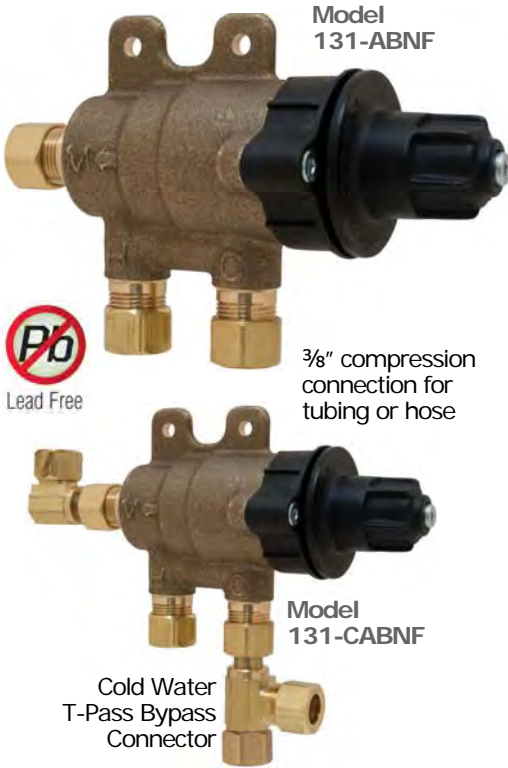
**Part No. 24412** is used on the mixed water outlet of the Heatguard 110-D, 110HX and 160 lead free thermostatic mixing valves.



25376

# Chicago Faucet Point-of-Use Mixing Valves

## Chicago Faucet 131 Lead Free Thermostatic Mixing Valves



**Chicago Faucet 131** lead free thermostatic mixing valves are used at the point-of-use, usually at the washing fixture. Connects to 3/8" flexible hose or 3/8" O.D. compression tubing. Can be used with both manual and sensor operated faucets.

### Chicago Faucet 131 Mixing Valve Features & Benefits:

- ASSE 1070 certified. Most often installed at the point-of-use.
- Installs between the stop valves and faucet for single or multiple faucets.
- Integral check valves and strainer screens on both hot & cold supply lines.
- Certified low lead cast bronze, less than 0.025% lead on wetted parts.
- Adjustable outlet temperature range: 80-120° F. Tamper-resistant cap.
- Hot supply temperature: 120-180° F. ■ Cold supply temperature: 39-85° F.
- Minimum flow rate: 0.35 gpm. ■ Built-in wall bracket secure ports.

Model No.	Description	GPM @ 45 psi	Wgt lbs.	Order No.
131-CABNF	Mixing valve with cold water bypass	4.6	1.5	<a href="#">CF1082K</a>
131-ABNF	Mixing valve LESS cold water bypass		2.0	<a href="#">CF1082H</a>

### Repair Parts and Kits

131-XFMJKNF	Thermostatic cartridge kit	0.5	<a href="#">CF1082N</a>
131-001KJKNF	Handle Kit	0.5	<a href="#">CF1082R</a>
131-006KJKRBF	Use a standard 3/8" brass compression tee		
131-007KJKRBF	Use a standard 3/8" brass compression 90° elbow		

## Chicago Faucet 122 Lead Free Thermostatic Mixing Valve

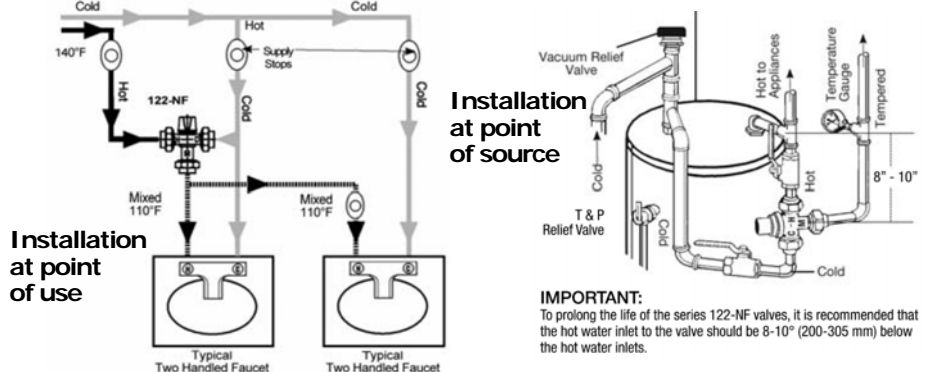
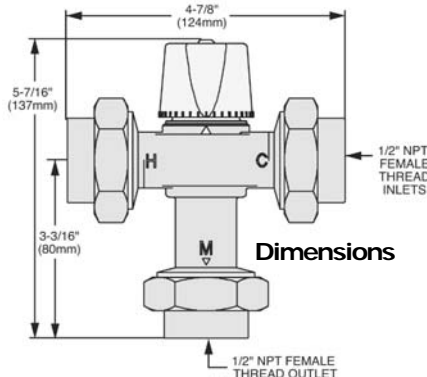


Chicago Faucet 122-NF thermostatic mixing valves delivers tempered water flow rates from 0.5 gpm to 20 gpm. Can be deployed at both the point-of-source or the point-of-use. 1/2" NPT union connections; temperature range: 80-120°.

### Chicago Faucet 122-NF Mixing Valve Features & Benefits:

- ASSE 1017, 1069 and 1070 certified to install at hot water source or point-of use.
- Integral check valves and strainer screens on both hot & cold supply lines.
- Certified low lead cast bronze, less than 0.025% lead on wetted parts.
- Adjustable temperature range: 80-120° F. Tamper-resistant cap.
- Minimum flow rate: 0.50 gpm. ■ Maximum operating pressure: 150 psi.

Model No.	Description	GPM @ 45 psi	Order No.
122-ABNF	1/2" FPT Thermostatic mixing valve, bronze	16.7	<a href="#">CF1082M</a>



# Guardian Emergency Thermostatic Mixing Valves

## Guardian G3600LF Emergency Wash Station Mixing Valve



ASSE 1071  
Certified



1/2" sweat connections inlet;  
1/2" NPT female outlet

Measurement: From center-to-center  
of inlets: 5.0 inches

The Guardian G3600LF delivers 2 to 6 GPM @ 30 psi of tepid water to emergency wash stations, including eye and face wash units, dual purpose units or drench hose units. The G3600LF automatically blends water to a tepid temperature of 85° F.

### Guardian G3600LF Features and Specifications:

- Bimetallic thermostat with high temperature limit stop set to 90° F.
- Fail safe upon hot water failure delivers up to 4 GPM of cold water @ 30 psi.
- 1/2" sweat in; 1/2" NPT female out with integral check valves and supply stops.
- Furnished with heavy-duty mounting bracket for securing to wall or cabinet.
- Valve is water tested prior to shipment. Certified lead free @ 0.025% wetted parts.
- Minimum recommended hot water supply temperature: 120° F.
- Minimum recommended supply pressure: 30 psi.

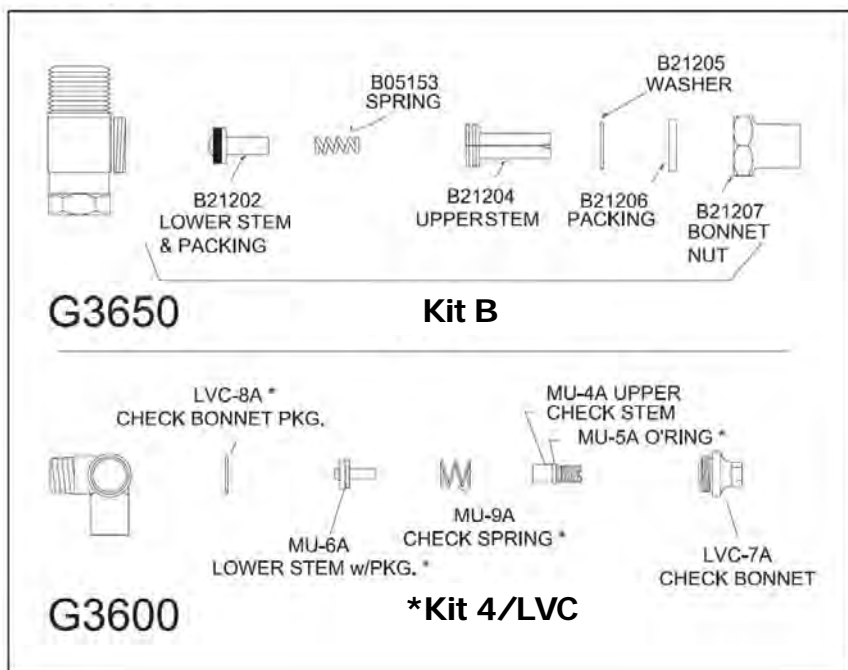
Model	Description	GPM Flow @ PSI drop					Wgt lbs	Order No.
		5 psi	10	20	30	40		
G3600LF	Valve as shown						7	<a href="#">GV1300</a>
G3602LF	Valve installed in surface mounted S.S. cabinet	2.0	2.7	4.5	6.5	8.5	21	<a href="#">GV1305</a>
G3607LF	Valve installed in recess mounted S.S. cabinet						21	<a href="#">GV1310</a>

### Repair Kits for Guardian G3600, G3650 and G3800 Emergency Tempering Valves

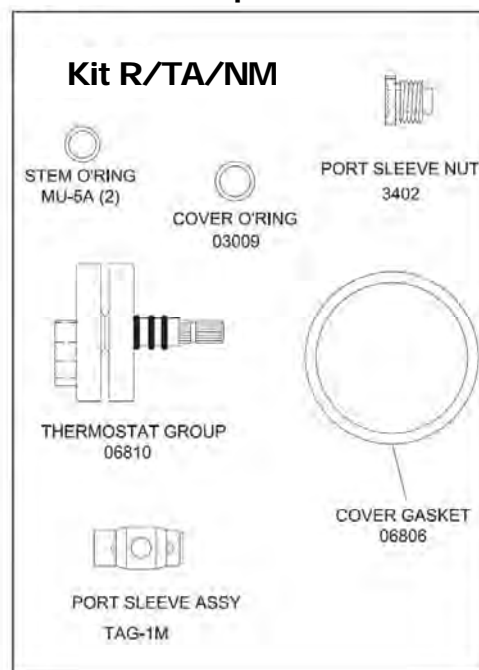
Leonard brand repair kits made for related Guardian valves.

Kit No.	Old Style G3600/3650/G3800 Lead Free Repair Kits	Wgt lbs	Order No.
R/TA/M	Thermostat repair kit, ALL	2.0	<a href="#">LN2035</a>
KIT B	Check stop repair kit, 3600/3800	2.6	<a href="#">LN2145</a>
KIT 4/LVC	Check stop repair kit, 3650	2.8	<a href="#">LN2006</a>

### G3600 Check Stop Repair Parts

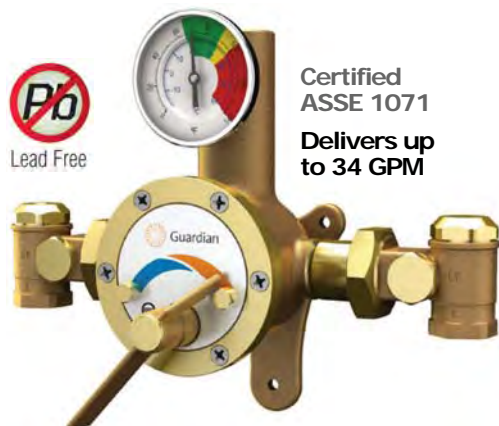


### Thermostat Repair Kit



# Guardian Emergency Thermostatic Mixing Valves

## Guardian G3700LF Emergency Wash Station Mixing Valve



Certified ASSE 1071  
Delivers up to 34 GPM

**3/4" female pipe inlets.**  
Inlets can be rotated 360 degrees for top or bottom supply. Each inlet has an integral water strainer, check valve & supply stop.  
**1" NPT female outlet.**

**Measurement:**  
From center-to-center of inlets: 12.0 inches

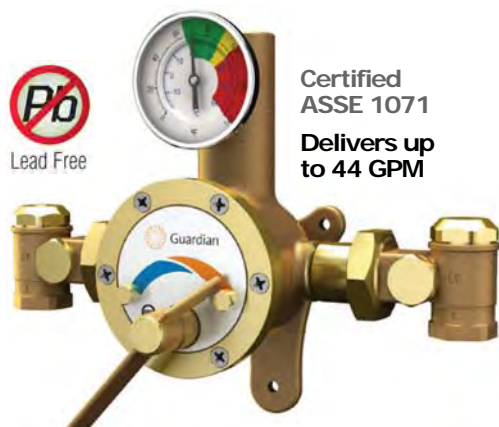
The Guardian G3700LF delivers 3 to 34 GPM @ 30 psi of tepid water to emergency wash stations, including eye and face wash units, dual purpose units or drench hose units. The G3700LF automatically blends water to a tepid temperature of 85° F.

### Guardian G3700LF Features and Specifications:

- Bimetallic thermostat with high temperature limit stop set to 90° F.
- Fail safe upon hot water failure delivers up to 20 GPM of cold water @ 30 psi.
- 3/4" FPT in; 1" FPT out with rotatable integral check valves and supply stops.
- Furnished with heavy-duty mounting bracket for securing to wall or cabinet.
- Valve is water tested prior to shipment. Certified lead free @ 0.025% wetted parts.
- Minimum recommended hot water supply temperature: 120° F
- Minimum recommended supply pressure: 30 psi.

Model	Description	GPM Flow @ PSI drop					Wgt lbs	Order No.
		5 psi	10	20	30	40		
G3700LF	Valve as shown, 3/4" FPT in; 1" FPT						18	<b>GV1315</b>
G3702LF	Valve installed in surface mounted S.S. cabinet	14	19	28	34	44	43	<b>GV1320</b>
G3707LF	Valve installed in recess mounted S.S. cabinet						43	<b>GV1325</b>

## Guardian G3800LF Emergency Wash Station Mixing Valve



Certified ASSE 1071  
Delivers up to 44 GPM

**1" female pipe inlets.**  
Inlets can be rotated 360 degrees for top or bottom supply. Each inlet has an integral water strainer, check valve & supply stop.  
**1 1/4" NPT female outlet.**

**Measurement:**  
From center-to-center of inlets: 12.0 inches

**See Repair Parts on preceding page.**

The Guardian G3800LF delivers 3 to 44 GPM @ 30 psi of tepid water to emergency wash stations, including eye and face wash units, dual purpose units or drench hose units. The G3800LF automatically blends water to a tepid temperature of 85° F.

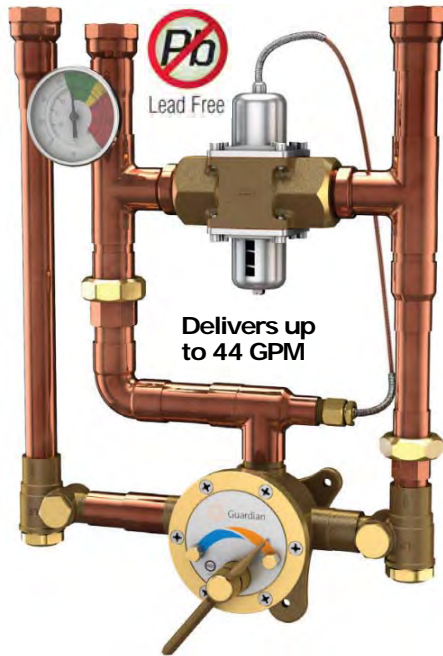
### Guardian G3800LF Features and Specifications:

- Bimetallic thermostat with high temperature limit stop set to 90° F.
- Fail safe upon hot water failure delivers up to 20 GPM of cold water @ 30 psi.
- 1" FPT in; 1 1/4" FPT out with rotatable integral check valves and supply stops.
- Furnished with heavy-duty mounting bracket for securing to wall or cabinet.
- Valve is water tested prior to shipment. Certified lead free @ 0.025% wetted parts.
- Minimum recommended hot water supply temperature: 120° F
- Minimum recommended supply pressure: 30 psi.

Model	Description	GPM Flow @ PSI drop					Wgt lbs	Order No.
		5 psi	10	20	30	40		
G3800LF	Valve as shown, 1" FPT in; 1 1/4" FPT						17	<b>GV1330</b>
G3802LF	Valve installed in <u>surface</u> mounted S.S. cabinet	20	25	33	38	50	50	<b>GV1335</b>
G3807LF	Valve installed in <u>recess</u> mounted S.S. cabinet						50	<b>GV1340</b>

# Guardian Emergency Thermostatic Mixing Valves

## Guardian G3850LF Tempering Valve with Redundant Bypass



1 1/4" Female Inlets  
with rotatable checks, strainers & stops.  
x 1 1/4" Female Outlet

The Guardian G3850LF delivers 3 to 44 GPM @ 30 psi of tepid water. Equipped with external bypass to supply additional cold water to outlet if water temperature rises above 90° F. G3850LF automatically blends water to a tepid temperature of 85° F.

### Guardian G3850LF Features and Specifications:

- Primary bimetallic thermostat with high temperature limit stop set to 90° F.
- Also furnished with external thermostat to monitor outlet water temperature.
- Fail safe upon hot water failure delivers up to 20 GPM of cold water @ 30 psi.
- 1 1/4" FPT in; 1 1/4" FPT out with rotatable integral check valves and supply stops.
- Valve is water tested prior to shipment. Certified lead free @ 0.025% wetted parts.
- Minimum recommended hot water supply temperature: 120° F
- Minimum recommended supply pressure: 30 psi. ■ Rated ASSE 1071.
- Maximum water supply pressure: 125 psi. ■ Special order product: Call for Quote.
- Furnished with heavy-duty mounting bracket for securing to wall or panel.

Model	Description	GPM Flow @ PSI drop					Wgt lbs	Order No.
		5 psi	10	20	30	40		
G3850LF	Valve as shown, 1 1/4" FPT in; 1 1/4" FPT	20	25	33	38	50	40	Call for Quote
G3852LF	Valve installed in surface mounted S.S. cabinet						73	Call for Quote

## Guardian G3900LF Emergency Wash Station Mixing Valve



1 1/4" female pipe inlets.  
Inlets can be rotated 360 degrees for top or bottom supply. Each inlet has an integral water strainer, check valve & supply stop.  
1 1/2" NPT female outlet.

Measurement:  
From center-to-center of inlets: 12.0 inches

The Guardian G3900LF delivers 3 to 81 GPM @ 30 psi of tepid water to emergency wash stations, including eye and face wash units, dual purpose units or drench hose units. The G3900LF automatically blends water to a tepid temperature of 85° F.

### Guardian G3900LF Features and Specifications:

- Bimetallic thermostat with high temperature limit stop set to 90° F.
- Fail safe upon hot water failure delivers up to 20 GPM of cold water @ 30 psi.
- 1 1/4" FPT in; 1 1/2" FPT out with rotatable integral check valves and supply stops.
- Furnished with heavy-duty mounting bracket for securing to wall or cabinet.
- Valve is water tested prior to shipment. Certified lead free @ 0.025% wetted parts.
- Minimum recommended hot water supply temperature: 120° F
- Minimum rec. supply pressure: 30 psi. ■ Special order product: Call for Quote.

Model	Description	GPM Flow @ PSI drop					Wgt lbs	Order No.
		5 psi	10	20	30	40		
G3900LF	Valve as shown, 1 1/4" FPT in; 1 1/2" FPT	53	64	81	99	117	20	Call for Quote
G3902LF	Valve installed in <u>surface</u> mounted S.S. cabinet						53	Call for Quote
G3907LF	Valve installed in <u>recess</u> mounted S.S. cabinet						53	Call for Quote

# Haws Emergency Thermostatic Mixing Valves

## Haws 9201EW Emergency Fixture Tempering Valve



1/2" Female Pipe Inlets  
x 1/2" Female Pipe Outlet

Measurement:  
End-to-end of inlets: 5.0 inches

Haws 9201EW delivers 1 to 10 GPM @ 30 psi of tepid water to one eye/face wash. High temperature limit valve shuts-off hot water when exceeding 95° F. Cold water bypass opens upon hot water failure. Haws 9201EW automatically blends water to a temperature of 85° F.

### Haws 9201EW Features and Specifications:

- Thermostat is paraffin-filled with high temperature limit stop set to 85° F.
- High temperature limit valves shuts-off hot water at 90° F.
- Cold water bypass valve opens if hot water fails; 3.8 GPM maximum.
- 1/2" FPT inlets; 1/2" FPT outlet with integral check valves and supply stops.
- Valve is water tested prior to shipment. Certified lead free @ 0.025% wetted parts.
- Rated and certified ASSE 1071 and CSA B125.3
- Recommended hot water supply temperature: 140° F.
- Maximum water supply pressure: 125 psi. ■ Minimum Flow: 1.0 GPM.
- Tempered water temperature adjustment range: 60 to 90° F.

Model	Description	GPM Flow @ PSI drop					Wgt lbs	Order No.
		5 psi	10	20	30	40		
9201EW	Tempering Valve	4.1	5.8	8.2	10	11.5	2.0	<b>HW1005</b>

## Haws 9201EFE Emergency Fixture Tempering Valve



1/2" female pipe inlets.  
Each inlet has an integral water strainer, check valve & supply stop.

3/4" NPT female outlet.

Measurement:  
From center-to-center of inlets: 4.5 inches

Haws 9201EFE delivers 1 to 12 GPM @ 30 psi of tepid water. High temperature limit valve shuts-off hot water when exceeding 95° F. Cold water bypass opens upon hot water failure. 9201EFE blends water to a tepid temperature of 85° F.

### Haws 9201EFE Features and Specifications:

- Primary thermostat with high temperature limit stop set to 85° F.
- Tempered water temperature adjustment range: 60 to 90° F.
- High temperature limit valves shuts-off hot water at 90° F.
- Cold water bypass valve opens if hot water fails; 10 GPM maximum.
- 1/2" FPT inlets; 3/4" FPT outlet with integral check valves and supply stops.
- Valve is water tested prior to shipment. Certified lead free @ 0.025% wetted parts.
- Rated and certified ASSE 1071, NSF 61 and CSA B125.3
- Recommended hot water supply temperature: 140° F.
- Maximum water supply pressure: 125 psi. ■ Minimum Flow: 1.0 GPM.
- Extended 3-year warranty standard.
- Superior shuttle design eliminates valve binding and reduces maintenance.
- Mixing chamber funnel design ensures consistent water temperature.
- Lime and calcium resistant valve components prevent valve sticking

Model	Description	GPM Flow @ PSI drop					Wgt lbs	Order No.
		5 psi	10	20	30	45		
9201EFE	Tempering Valve	5	7	10	12	15	7.0	<b>HW1010</b>

Need repair parts for your Haws emergency wash station tempering valves? Call 800.772.2099



# Haws Emergency Thermostatic Mixing Valves

## Haws 9201H Emergency Tempering Valve for Multiple Fixtures

Delivers 31 GPM of flow @ 30 psi



1" Female Pipe Inlets with checks, strainers & stops; x 1 1/4" Female Outlet

Measurement:

Center-to-center of inlets: 5.625 inches

Haws 9201H delivers 1 to 31 GPM @ 30 psi of tepid water. High temperature limit valve shuts-off hot water when exceeding 95° F. Cold water bypass opens upon hot water failure. Haws 9201H automatically blends water to a temperature of 85° F.

### Haws 9201H Features and Specifications:

- Primary paraffin-filled thermostat with high temperature limit stop set to 85° F.
- High temperature limit valves shuts-off hot water at 95° F.
- Cold water bypass valve opens if hot water fails; 20 GPM maximum.
- 1" FPT inlets; 1 1/4" FPT outlet with integral check valves and supply stops.
- Valve is water tested prior to shipment. Certified lead free @ 0.025% wetted parts.
- Rated and certified ASSE 1071, NSF 61 and CSA B125.3
- Minimum recommended hot water supply temperature: 120° F.
- Maximum water supply pressure: 125 psi. ■ Minimum Flow: 1.0 GPM.
- Tempered water temperature adjustment range: 60 to 90° F.

Model	Description	GPM Flow @ PSI drop					Wgt lbs	Order No.
		5 psi	10	20	30	40		
9201H	Valve as shown 1/2" inlets x 3/4" outlet	13	18	25	31	36	13.0	<b>HW1015</b>

## Haws TWBS.EWE Emergency Fixture Tempering Valve



Certified ASSE 1071

Delivers up to 12 GPM @ 30 psi

1/2" female pipe inlets.

Each inlet has an integral water strainer, check valve & supply stop.

3/4" NPT female outlet.

Measurement:

From center-to-center of inlets: 4.5 inches

Haws TWBS.EWE delivers 1 to 12 GPM @ 30 psi of tepid water. High temperature limit valve shuts-off hot water when exceeding 95° F. Cold water bypass opens upon hot water failure. TWBS.EXE automatically blends water to a temperature of 85° F.

### Haws TWBS.EXE Features and Specifications:

- Primary thermostat with high temperature limit stop set to 85° F.
- High temperature limit valves shuts-off hot water at 95° F.
- Cold water bypass valve opens if hot water fails; 10 GPM maximum.
- 1/2" FPT inlets; 3/4" FPT outlet with integral check valves and supply stops.
- Valve is water tested prior to shipment. Certified lead free @ 0.025% wetted parts.
- Rated and certified ASSE 1071, NSF 61 and CSA B125.3
- Minimum recommended hot water supply temperature: 120° F.
- Maximum water supply pressure: 125 psi. ■ Minimum Flow: 1.0 GPM.
- Tempered water temperature adjustment range: 60 to 85° F.
- Redundant anti-scald protection with internal cold water bypass ensures reliable protection. The main tempering valve provides primary protection while backup shut-off valve provides secondary high temperature protection. The internal cold water bypass supplies cold water if hot water supply or main tempering valve fails.
- Extended 3-year warranty standard.

Model	Description	GPM Flow @ PSI drop					Wgt lbs	Order No.
		5 psi	10	20	30	45		
TWBS.EWE	Valve as shown 1/2" inlets x 3/4" outlet	4.9	6.9	9.8	12	14.7	9.0	<b>HW1020</b>

Need repair parts for your 9201H or TWBS.EXE tempering valves? Call 800.772.2099

# Haws Emergency Thermostatic Mixing Valves

## Haws TWBS.HF Tempering Valve for Multiple Emergency Fixtures



Haws TWBS.HF delivers 1 to 78 GPM @ 30 psi of tepid water. High temperature limit valve shuts-off hot water when exceeding 95° F. Cold water bypass opens upon hot water failure. TWBS.HF automatically blends water to a temperature of 85° F.

### Haws TWBS.HF Features and Specifications:

- Primary thermostat with high temperature limit stop set to 85° F.
- High temperature limit valves shuts-off hot water at 95° F.
- Cold water bypass valve opens if hot water fails; 79 GPM maximum.
- 2" FPT inlets; 2" FPT outlet with integral check valves and supply stops.
- Certified lead free @ 0.025% wetted parts. ■ Recommended hot water: 140° F.
- Rated and certified ASSE 1071, NSF 61 and CSA B125.3
- Innovative funnel design creates turbulent flow to ensure consistent temperature.
- Maximum water supply pressure: 125 psi. ■ Minimum Flow: 1.0 GPM.
- Tempered water temperature adjustment range: 60 to 85° F.

2" Female Pipe Inlets with checks, strainers & stops; x 2" Female Outlet

### Measurement:

Center-to-center of inlets: 10.0 inches

Model	Description	GPM Flow @ PSI drop					Wgt lbs	Order No.
		5 psi	10	20	30	45		
TWBS.HF	Valve as shown 2" inlets x 2" outlet	32	45	64	78	95	35.0	<b>HW1025</b>

## Haws TWBS.SHE Tempering Valve for Multiple Emergency Fixtures



Haws TWBS.SHE delivers 1 to 74 GPM @ 30 psi of tepid water. High temperature limit valve shuts-off hot water when exceeding 95° F. Cold water bypass opens upon hot water failure. TWBS.SHE automatically blends water to a temperature of 85° F.

### Haws TWBS.SHE Features and Specifications:

- Primary thermostat with high temperature limit stop set to 85° F.
- High temperature limit valves shuts-off hot water at 95° F.
- Cold water bypass valve opens if hot water fails; 10 GPM maximum.
- 1¼" FPT inlets; 1¼" FPT outlet with integral check valves and supply stops.
- Valve is water tested prior to shipment. Certified lead free @ 0.025% wetted parts.
- Rated and certified ASSE 1071, NSF 61 and CSA B125.3
- Recommended hot water supply temperature: 140° F.
- Maximum water supply pressure: 125 psi. ■ Minimum Flow: 1.0 GPM.
- Tempered water temperature adjustment range: 60 to 85° F.
- Redundant anti-scald protection with internal cold water bypass ensures reliable protection. The main tempering valve provides primary protection while backup shut-off valve provides secondary high temperature protection. The internal cold water bypass supplies cold water if hot water supply or main tempering valve fails.
- Extended 3-year warranty standard.

Certified ASSE 1071

Delivers up to 74 GPM @ 30 psi

1¼" female pipe inlets.

Each inlet has an integral water strainer, check valve & supply stop.

1¼" NPT female pipe outlet.

### Measurement:

From center-to-center of inlets: 7.25 inches

Model	Description	GPM Flow @ PSI drop					Wgt lbs	Order No.
		5 psi	10	20	30	45		
TWBS.SHE	Valve as shown 1¼" inlets x 1¼" outlet	30	43	60	74	91	26.0	<b>HW1030</b>

Need repair parts for your TWBS.HF or TWBS.SHE tempering valves? Call 800.772.2099

# Honeywell-Sparco Thermostatic Mixing Valves

## Honeywell AM-1 Series Point-of-Source Thermostatic Mixing Valves

Installed near the hot water source.



AM-1 lead free thermostatic mixing valves are installed near the source of domestic hot water. Not to be used near the point-of-use. Nickel plated brass construction. Available in standard design, 70 to 140° F. adjustable or "C" design, 70 to 120° F. adjustable temperature.

### Honeywell AM1 Features & Benefits:

- For installation at the source of the hot water, such as the hot water heater.
- ASSE 1017 certified for point-of-source installation.
- Integral check valves and strainer screens on both hot & cold supply lines.
- Certified low lead cast bronze, less than 0.025% lead on wetted parts.
- Adjustable outlet temperature range: 70-145° or 70-120° F; Select below.
- Hot supply temperature: 120-195° F.
- Cold supply temperature: 40-75° F.
- Minimum flow rate: 0.35 gpm.

### Get More Hot Water!

By installing a Honeywell AM-1 mixing valve, raising water heater storage temperature setting, and limiting mixed outlet water temperature to a safe temperature, more usable hot water is available.

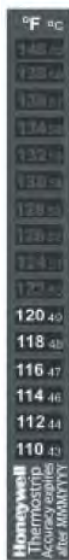
The Honeywell AM-1 series accurately adjusts, maintains, and limits the hot water temperature to a desired setting selected by the user.

### Thermo-Strip

Temperature indicating "Thermo-Strip" is included to show an outlet reading for initial system temperature setting.

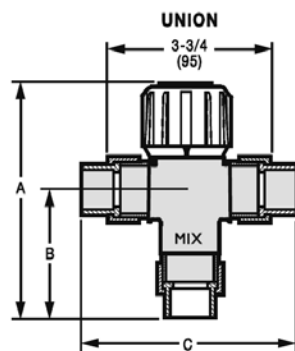
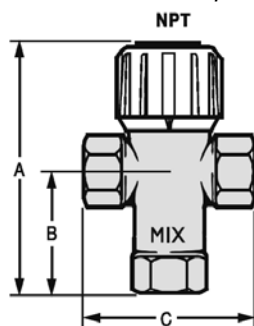
The Thermo-Strip is included in models that do not have a temperature gauge provided.

The Thermo-Strip is for ONE-TIME use, only at installation setup. Do not rely on for ongoing temperature readings.

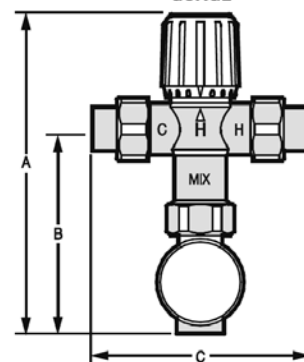


Model No.	Size inch	Temp. Range, F.	A DIM	B DIM	C DIM	Cv of valve flow	Wgt.	Order No.
<b>NPT Female Pipe</b>								
AM100-1LF	½	70-145°	5.8	2.7	3	3.2	2.0	<a href="#">SA1001</a>
AM101-1LF	¾					3.8	2.1	<a href="#">SA1002</a>
AM102-1LF	1					4.3	2.3	<a href="#">SA1003</a>
AM100C-1LF	½	70-120°	5.8	2.7	3	3.2	2.0	<a href="#">SA1005</a>
AM101C-1LF	¾					3.8	2.1	<a href="#">SA1006</a>
AM102C-1LF	1					4.3	2.3	<a href="#">SA1006A</a>
<b>NPT Union Female Pipe</b>								
AM100-UT-1LF	½	70-145°	5.9	2.9	4.9	3.9	2.3	<a href="#">SA1006F</a>
AM101-UT-1LF	¾		6.6	3.8	6.5		2.4	<a href="#">SA1006H</a>
AM102-UT-1LF	1		6.8	3.9	7		2.7	<a href="#">SA1006K</a>
AM100C-UT-1LF	½	70-120°	5.9	2.9	4.9	3.9	2.3	<a href="#">SA1006M</a>
AM101C-UT-1LF	¾		6.6	3.8	6.5		2.4	<a href="#">SA1006N</a>
AM102C-UT-1LF	1		6.8	3.9	7		2.7	<a href="#">SA1006P</a>
<b>Union Sweat</b>								
AM100-US-1LF	½	70-145°	5.4	2.8	4.6	3.9	2.3	<a href="#">SA1006C</a>
AM101-US-1LF	¾		5.6	2.9	4.9		2.4	<a href="#">SA1006E</a>
AM102-US-1LF	1		6.3	3.7	6.5		2.7	<a href="#">SA1006R</a>

### Dimension Guide, Inches



### Optional TEMPERATURE GAUGE



Other connection styles available.

# Honeywell-Sparco Thermostatic Mixing Valves

## Honeywell MX Series High Capacity Thermostatic Mixing Valves



MX lead free thermostatic mixing valves are installed near the source of domestic hot water. Dual purpose mixing or diverting valves. Safety flow reduction in seconds if cold water supply interrupted. Installs in any position. Allen wrench adjusts temp.

### Honeywell MX Valve Features & Benefits:

- For installation at the source of the hot water for high capacity applications.
- ASSE 1017 certified for point-of-source installation.
- Integral check valves and strainer screens on both hot & cold supply lines.
- Certified low lead cast bronze, less than 0.025% lead on wetted parts.
- Adjustable outlet temperature range: 113 to 149°.
- NPT union connection: Sizes 1" through 2".
- Flanged connections: Sizes 2½ to 3".
- Maximum pressure differential between hot & cold: 7 psi.

**Standard High Capacity MX**  
Sizes 1" to 2" NPT union pipe



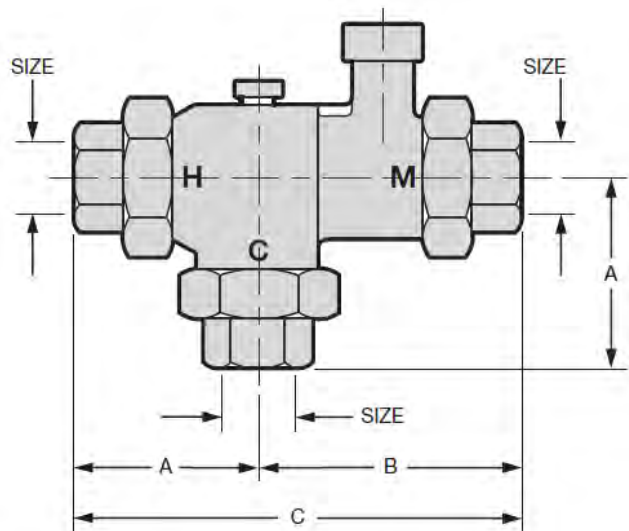
**SUPER High Capacity MX**  
Sizes 2½" to 3" Flanged

Model No.	Size inch	Temp. Range, F.	A DIM	B DIM	C DIM	GPM @ 30 psi	Wgt.	Order No.
MX127LF	1	113-149°	2.8	3.7	6.5	22.0	3.6	<a href="#">SA1007</a>
MX128LF	1¼		3.3	4.4	7.7	50.0	6.4	<a href="#">SA1007A</a>
MX129LF	1½		3.6	5.0	8.6	75.0	8.4	<a href="#">SA1007C</a>
MX130LF	2		4.2	5.8	10.0	100.0	13.1	<a href="#">SA1007E</a>
MX131LF	2½		5.7	5.7	11.4	186.0	51.0	<a href="#">SA1007G</a>
MX132LF	3		6.1	6.1	12.2	274.0	62.0	<a href="#">SA1007H</a>

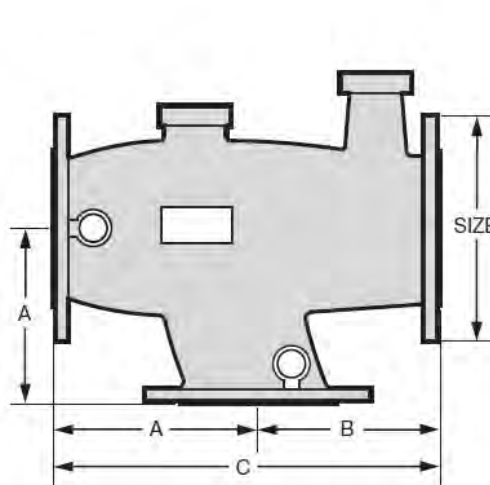
### Additional Components and Replacement Parts

MX050-RP	½" Recirculation adapter kit (included in 1" to 2")	1.0	<a href="#">SA1007K</a>
MX100-RP	1" gasket kit (3 ea.), MX series mixing valves	1.0	<a href="#">SA1007M</a>
MX125-RP	1¼" gasket kit (3 ea.), MX series mixing valves	0.3	<a href="#">SA1007N</a>
MX150-RP	1½" gasket kit (3 ea.), MX series mixing valves	0.3	<a href="#">SA1007P</a>
MX200-RP	2" gasket kit (3 ea.), MX series mixing valves	0.8	<a href="#">SA1007R</a>
MX250-RP	2½" gasket kit (3 ea.), MX series mixing valves	1.0	<a href="#">SA1007T</a>
MX300-RP	3" gasket kit for (3 ea.), MX series mixing valves	1.2	<a href="#">SA1007V</a>

Dimension Guide, MX127-130LF



Dimension Guide, MX131-132LF



# Lawler 800 Series Thermostatic Mixing Valves



**Model 801, 3/4" x 1"**  
 Part No: 86208-05  
**Valve Order No: LW1120**

<b>PSI</b>	5	10	20	30	45	60
<b>Capacity in GPM</b>						
<b>Model 801</b>	17	25	34	40	50	57

**Minimum Flow:** 1 GPM  
 3/4" in X 1" OUT Connection  
**Weight:** 20 lbs.

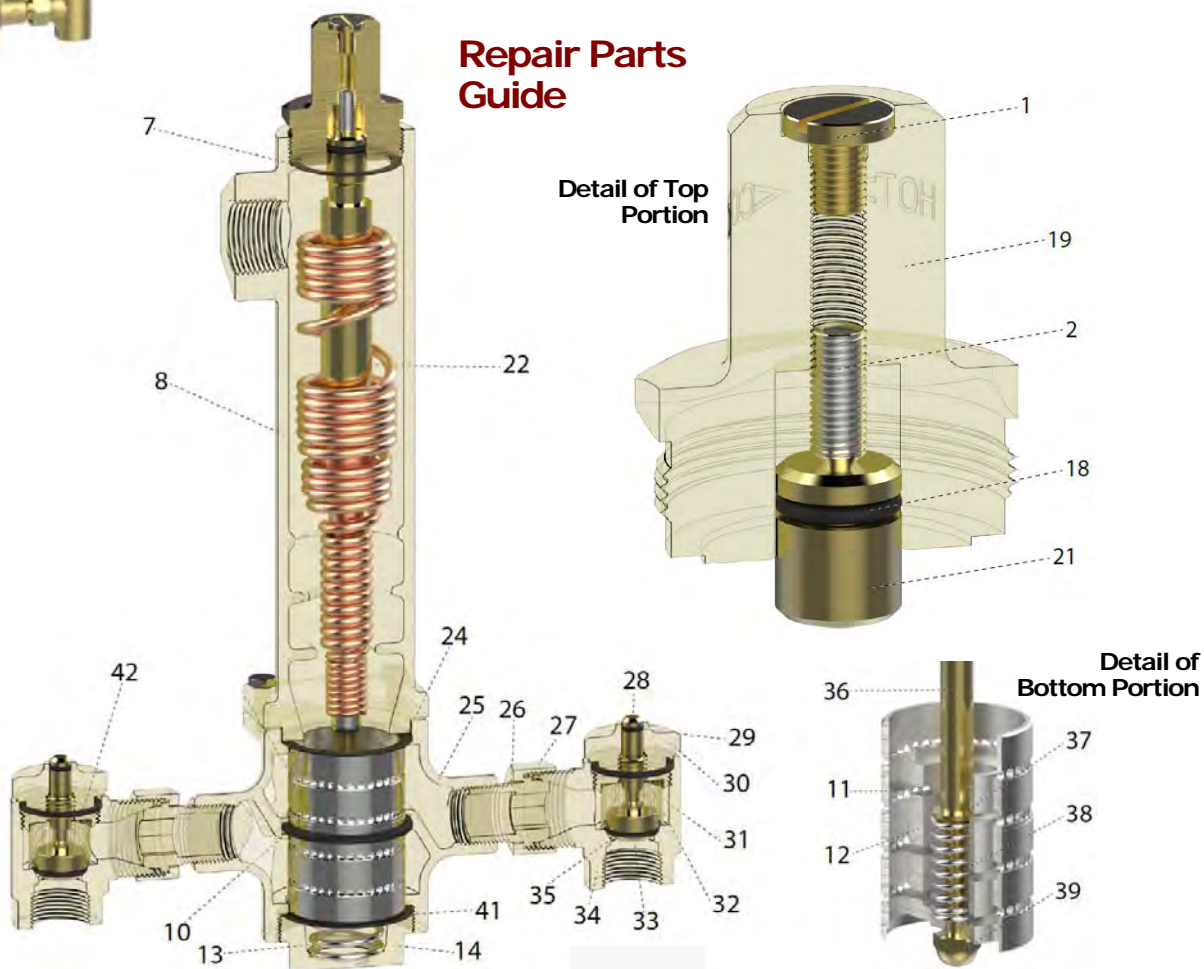
## Features and Benefits of Lawler Model 801:

- 3/4" inlets (2) x 1" outlet (1), NPT pipe.
- Master domestic water mixing valve: 40 gpm flow @ 30 psi.
- ASSE 1017 & Lead Free certified, with a liquid-filled thermal thermostat.
- Checkstops with integral strainers located on each inlet.
- Factory tested and assembled, universal mounting capability.
- Adjustable temperature range: 90° to 120° F. Set point @ 110° F.
- Accurate temperature control within ± 3° F.
- Adjustable set-point within the set temperature range.
- Positive flow shut-off in the event of cold supply or thermostat failure.
- Dial thermometer and outlet shut-off valve included.
- Max. inlet pressure: 125 psi; Max. inlet temperature: 200° F.



Lead Free

## Repair Parts Guide



Model 801 Repair Kits	Items included	Wgt.	Order No.
Complete Repair Kit	7, 10, 12, 13, 18, 22, 24, 31, 32, 35	5.2	<a href="#">LW5510</a>
Piston and Liner Assembly	10, 11, 12, 24, 41	3.5	<a href="#">LW5405</a>
Stop and Check Repair Kit	28, 29, 31, 32, 33, 35	3.2	<a href="#">LW5100</a>
Thermostat Replacement Kit	7, 22	4.2	<a href="#">LW5600</a>
Bonnet Assembly	1, 2, 18, 19, 21	3.5	<a href="#">LW5150</a>
O-Ring and Gasket Kit	7, 10, 18, 24, 29, 35, 41, 42	1.1	<a href="#">LW5300</a>

# Lawler 800 Series Thermostatic Mixing Valves

Includes dial thermometer and shut-off valve.

1" IN x 1 1/4" OUT Connection



## Model 802, 1" x 1 1/4"

Part No: 86008-05

Valve Order No: **LW1125**

PSI	5	10	20	30	45	60
Capacity in GPM						
Model 802	28	39	54	66	80	91

**Minimum Flow:** 2 GPM, or 0.50 gpm when used with circulating pump.

**Weight:** 21 lbs.

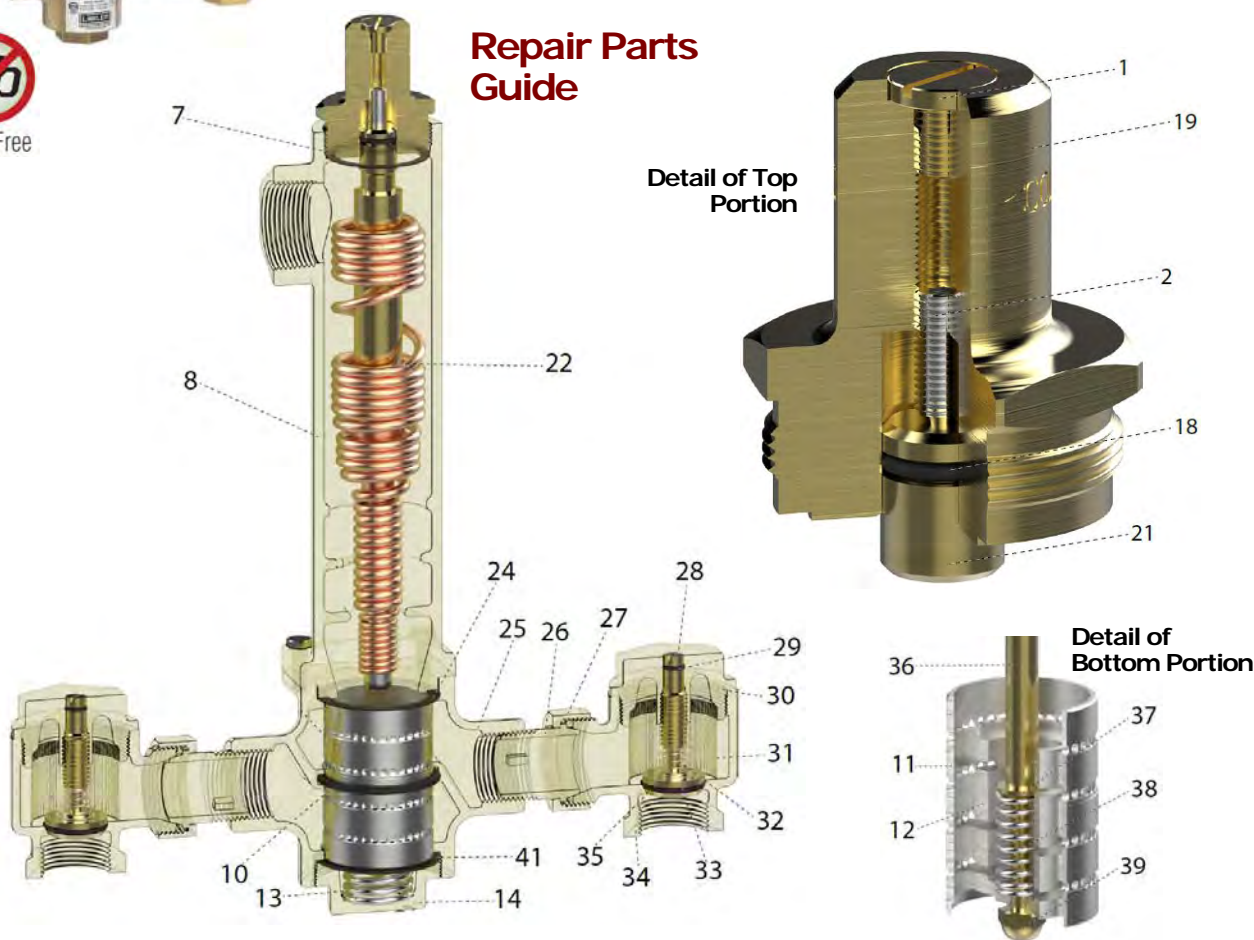
### Features and Benefits of Lawler Model 802:

- 1" inlets (2) x 1 1/4" outlet (1), NPT pipe.
- Master domestic water mixing valve: 66 gpm flow @ 30 psi.
- ASSE 1017 & Lead Free certified; Liquid-filled thermal thermostat.
- Checkstops with integral strainers located on each inlet.
- Factory tested and assembled, universal mounting capability.
- Adjustable temperature range: 90° to 120° F. Set point @ 110° F.
- Accurate temperature control within ± 3° F.
- Adjustable set-point within the set temperature range.
- Positive flow shut-off if failure of cold supply or thermostat.
- Dial thermometer & outlet shut-off valve included (not shown).
- Max. inlet pressure: 125 psi; Max. inlet temperature: 200° F.



Lead Free

## Repair Parts Guide

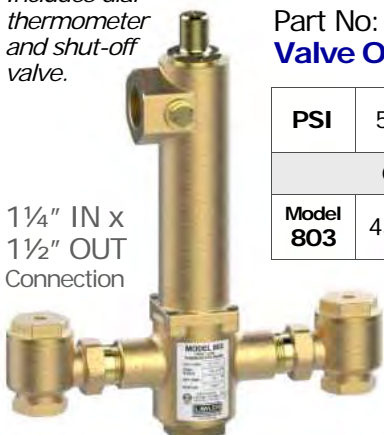


Model 802 Repair Kits	Items included	Wgt.	Order No.
Complete Repair Kit	7, 10, 12, 13, 18, 22, 24, 31, 32, 35	5.4	<b>LW5515</b>
Piston and Liner Assembly	10, 11, 12, 24, 41	3.5	<b>LW5405</b>
Stop and Check Repair Kit	28, 29, 31, 32, 33, 35	3.4	<b>LW5401</b>
Thermostat Replacement Kit	7, 22	4.2	<b>LW5600</b>
Bonnet Assembly	1, 2, 18, 19, 21	3.5	<b>LW5150</b>
O-Ring and Gasket Kit	7, 10, 18, 24, 29, 35, 41, 42	1.2	<b>LW5301</b>

# Lawler 800 Series Thermostatic Mixing Valves

Includes dial thermometer and shut-off valve.

1 1/4" IN x 1 1/2" OUT Connection



**Model 803, 1 1/4" x 1 1/2"**  
 Part No: 86408-05  
**Valve Order No: LW1130**

PSI	5	10	20	30	45	60
Capacity in GPM						
Model 803	43	60	85	103	125	144

**Minimum Flow:** 3 GPM, or 0.50 gpm when used with circulating pump.

**Weight:** 33 lbs.

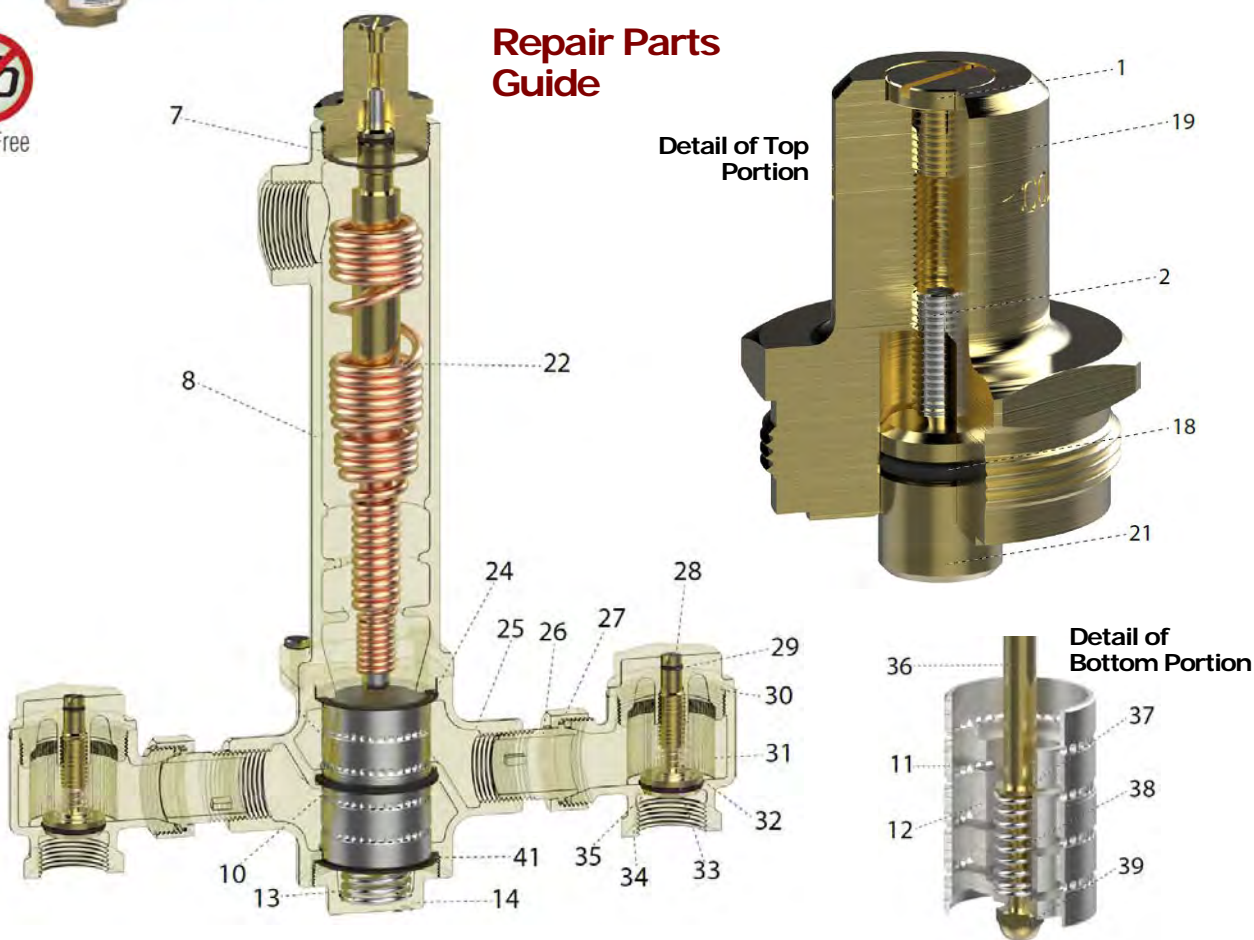
## Features and Benefits of Lawler Model 803:

- 1 1/4" inlets (2) x 1 1/2" outlet (1), NPT pipe.
- Master domestic water mixing valve: 103 gpm flow @ 30 psi.
- ASSE 1017 & Lead Free certified; Liquid-filled thermal thermostat.
- Checkstops with integral strainers located on each inlet.
- Factory tested and assembled, universal mounting capability.
- Adjustable temperature range: 90° to 120° F. Set point @ 110° F.
- Accurate temperature control within ± 3° F.
- Adjustable set-point within the set temperature range.
- Positive flow shut-off if failure of cold supply or thermostat.
- Dial thermometer & outlet shut-off valve included (not shown).
- Max. inlet pressure: 125 psi; Max. inlet temperature: 200° F.



Lead Free

## Repair Parts Guide

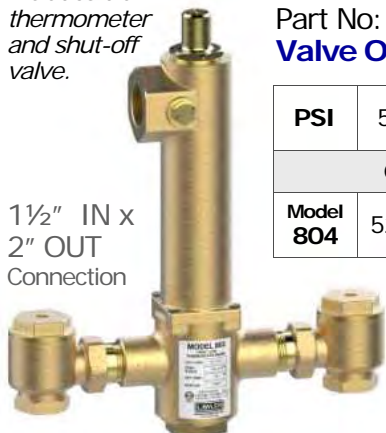


Model 803 Repair Kits	Items included	Wgt.	Order No.
Complete Repair Kit	7, 10, 12, 13, 18, 22, 24, 31, 32, 35	5.6	<a href="#">LW5520</a>
Piston and Liner Assembly	10, 11, 12, 24, 41	4.0	<a href="#">LW5522</a>
Stop and Check Repair Kit	28, 29, 31, 32, 33, 35	3.6	<a href="#">LW5402</a>
Thermostat Replacement Kit	7, 22	4.2	<a href="#">LW5600</a>
Bonnet Assembly	1, 2, 18, 19, 21	3.6	<a href="#">LW5155</a>
O-Ring and Gasket Kit	7, 10, 18, 24, 29, 35, 41	1.3	<a href="#">LW5302</a>

# Lawler 800 Series Thermostatic Mixing Valves

Includes dial thermometer and shut-off valve.

1½" IN x 2" OUT Connection



## Model 804, 1½" x 2"

Part No: 86308-05

Valve Order No: LW1135

PSI	5	10	20	30	45	60
Capacity in GPM						
Model 804	52	72	100	124	150	174

**Minimum Flow:** 4 GPM, or 0.50 gpm when used with circulating pump.

**Weight:** 44 lbs.

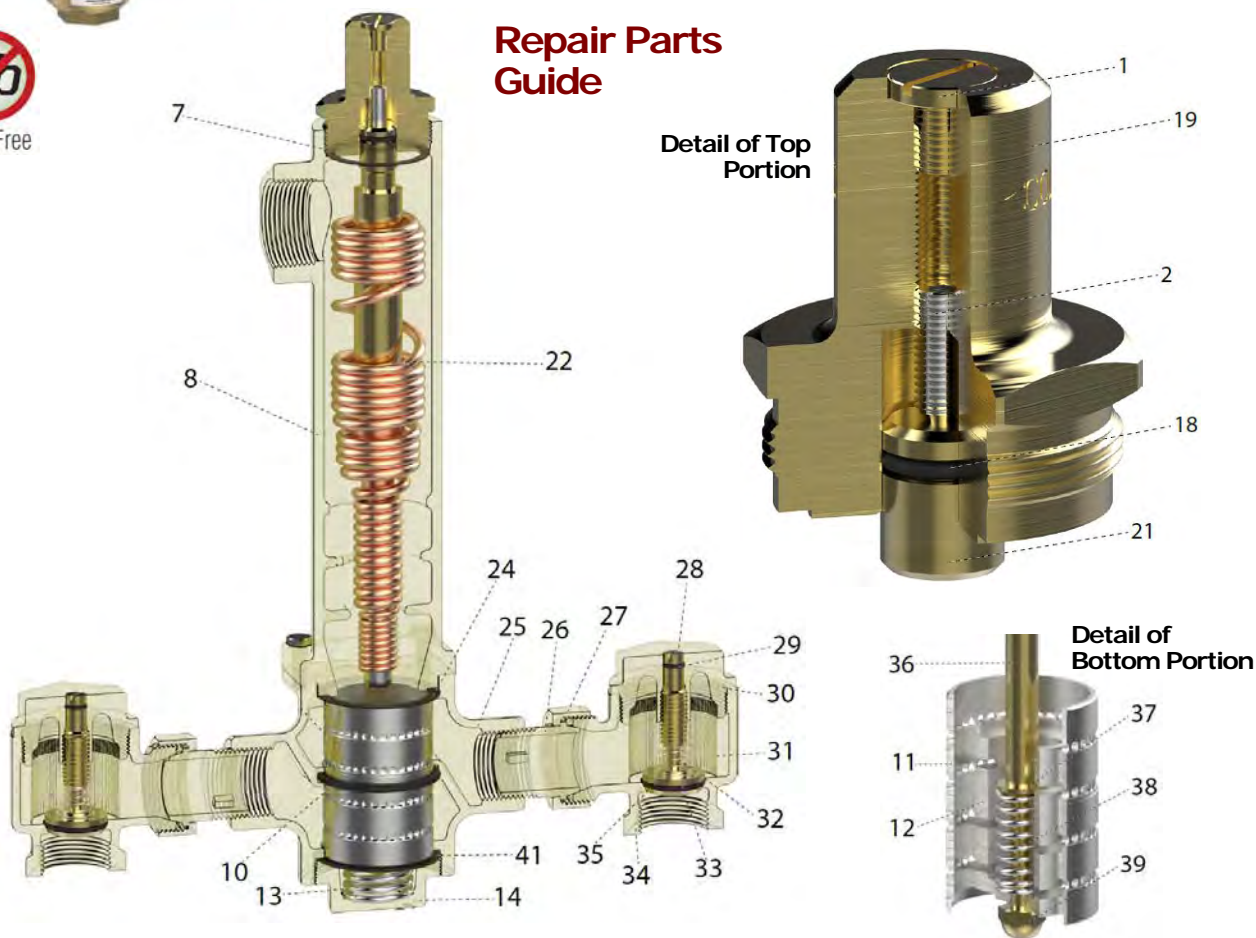
### Features and Benefits of Lawler Model 804:

- 1½" inlets (2) x 2" outlet (1), NPT pipe.
- Master domestic water mixing valve: 124 gpm flow @ 30 psi.
- ASSE 1017 & Lead Free certified; Liquid-filled thermal thermostat.
- Checkstops with integral strainers located on each inlet.
- Factory tested and assembled, universal mounting capability.
- Adjustable temperature range: 90° to 120° F. Set point @ 110° F.
- Accurate temperature control within ± 3° F.
- Adjustable set-point within the set temperature range.
- Positive flow shut-off if failure of cold supply or thermostat.
- Dial thermometer & outlet shut-off valve included (not shown).
- Max. inlet pressure: 125 psi; Max. inlet temperature: 200° F.



Lead Free

## Repair Parts Guide



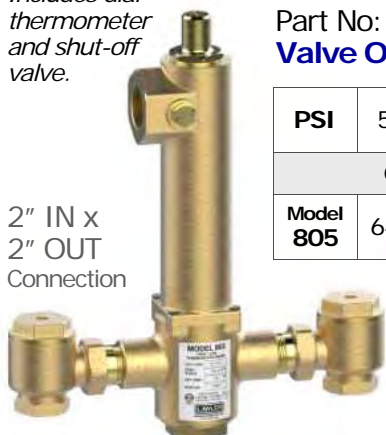
Model 804 Repair Kits	Items included	Wgt.	Order No.
Complete Repair Kit	7, 10, 12, 13, 18, 22, 24, 31, 32, 35	5.9	<a href="#">LW5525</a>
Piston and Liner Assembly	10, 11, 12, 24, 41	4.0	<a href="#">LW5522</a>
Stop and Check Repair Kit	28, 29, 31, 32, 33, 35	3.6	<a href="#">LW5403</a>
Thermostat Replacement Kit	7, 22	4.2	<a href="#">LW5600</a>
Bonnet Assembly	1, 2, 18, 19, 21	3.6	<a href="#">LW5155</a>
O-Ring and Gasket Kit	7, 10, 18, 24, 29, 35, 41	1.4	<a href="#">LW5303</a>



# Lawler 800 Series Thermostatic Mixing Valves

Includes dial thermometer and shut-off valve.

2" IN x 2" OUT Connection



## Model 805, 2" x 2"

Part No: 86108-05

Valve Order No: LW1140

PSI	5	10	20	30	45	60
Capacity in GPM						
Model 805	64	96	133	165	200	230

**Minimum Flow:** 5 GPM, or 0.50 gpm when used with circulating pump.

**Weight:** 45 lbs.

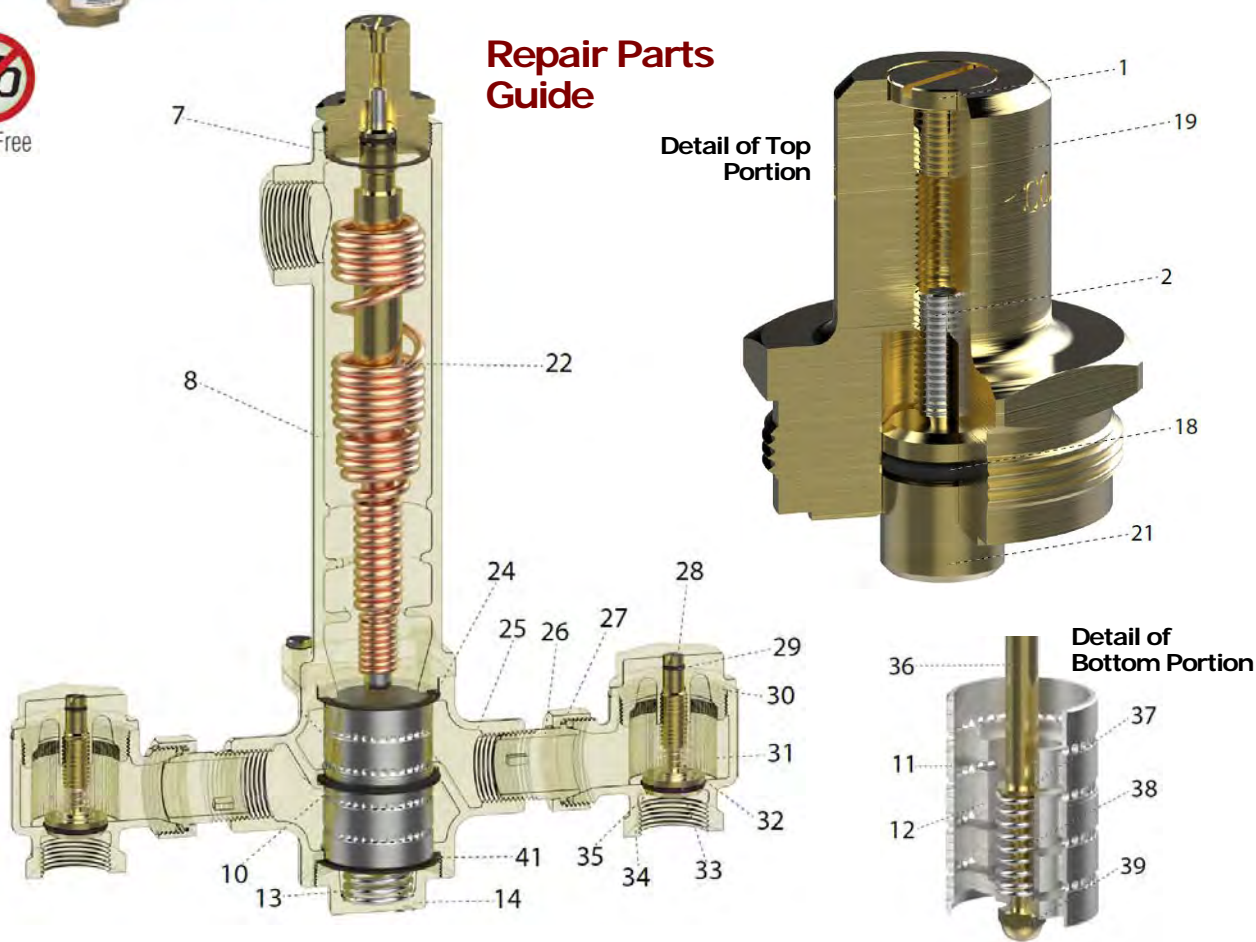
### Features and Benefits of Lawler Model 805:

- 2" inlets (2) x 2" outlet (1), NPT pipe.
- Master domestic water mixing valve: 165 gpm flow @ 30 psi.
- ASSE 1017 & Lead Free certified; Liquid-filled thermal thermostat.
- Checkstops with integral strainers located on each inlet.
- Factory tested and assembled, universal mounting capability.
- Adjustable temperature range: 90° to 120° F. Set point @ 110° F.
- Accurate temperature control within ± 3° F.
- Adjustable set-point within the set temperature range.
- Positive flow shut-off if failure of cold supply or thermostat.
- Dial thermometer & outlet shut-off valve included (not shown).
- Max. inlet pressure: 125 psi; Max. inlet temperature: 200° F.



Lead Free

## Repair Parts Guide



Model 805 Repair Kits	Items included	Wgt.	Order No.
Complete Repair Kit	7, 10, 12, 13, 18, 22, 24, 31, 32, 35	6.2	<a href="#">LW5530</a>
Piston and Liner Assembly	10, 11, 12, 24, 41	4.0	<a href="#">LW5522</a>
Stop and Check Repair Kit	28, 29, 31, 32, 33, 35	3.6	<a href="#">LW5404</a>
Thermostat Replacement Kit	7, 22	4.2	<a href="#">LW5600</a>
Bonnet Assembly	1, 2, 18, 19, 21	3.6	<a href="#">LW5155</a>
O-Ring and Gasket Kit	7, 10, 18, 24, 29, 35, 41, 42	1.5	<a href="#">LW5304</a>

# Lawler 66 Series Thermostatic Mixing Valves

## Lawler 66 Series Thermostatic Mixing Valves



Lead Free

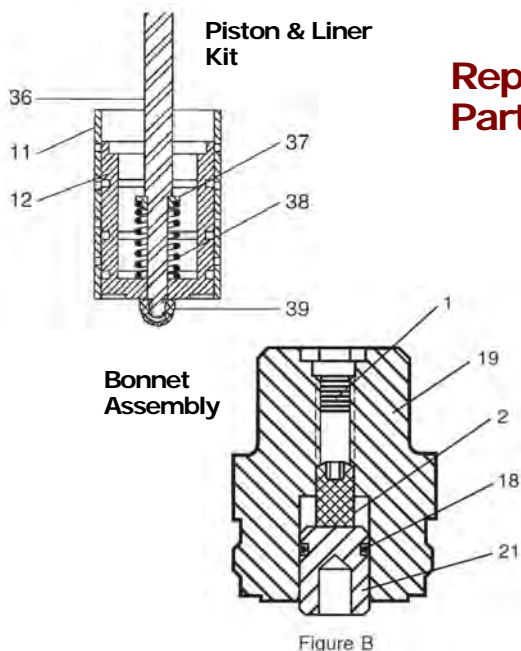
Adjustable Temperature Range: 85 to 135° F  
Factory set @ 110° F.

Lawler Master Controller 66 series of thermostatic mixing valves efficiently mix large quantities of water while delivering 3-way protection against runaway temperatures, thermal shock or scalding should the thermostat, hot or cold water supply.

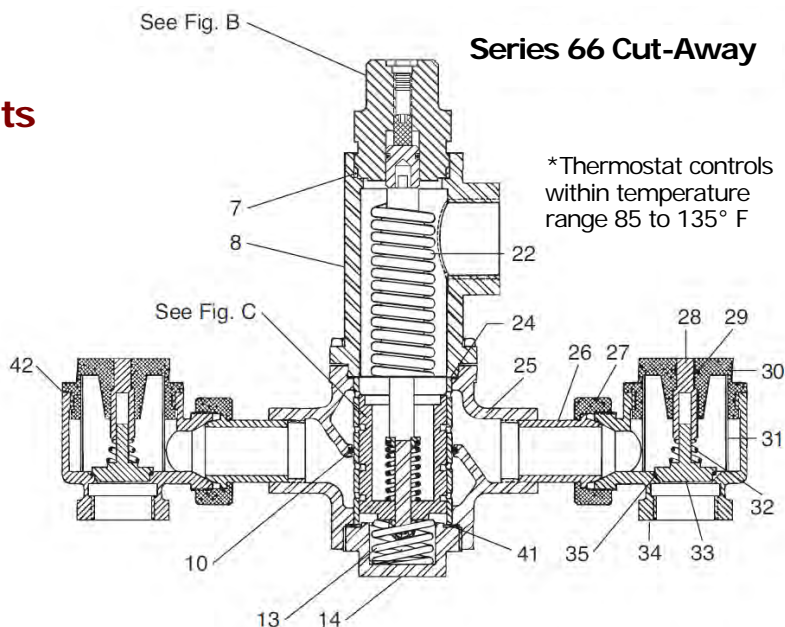
### Features and Benefits:

- Adjustable temperature range: 85 to 135° F, set at 110° F.
- Plain bronze finish. ASSE 1017; CSA B125.3 certified.
- Union end stop/check valves with stainless steel strainers.
- Liquid-filled, robust thermostatic motor.

Model	Pipe Size	GPM @ Pressure Drop PSI				Wgt. lbs.	Order No.
		20	30	45	60		
66-25	¾ x ¾"	17	21	25	28	17	LW1007
66-50	¾ x 1"	34	41	50	57	17	LW1022
66-80	1 x 1¼"	54	66	80	91	19	LW1032
66-125	1¼ x 1½"	85	103	125	144	No Longer Made. See Repair Parts below.	
66-150	1½ x 2"	100	124	150	174		
66-200	2 x 2"	133	165	200	230		



### Repair Parts & Kits



Repair Kits	66-25 and 66-50	66-80	66-125	66-150	66-200
<b>Complete Repair Kit with *Thermostat</b> Contains: 7-10-12-13-18-22-24-21-32-35	LW5200	LW5201	LW5202	LW5203	LW5204
<b>Piston and Liner Assembly</b> Contains: 11-12	LW5100		LW5105		
<b>Stop and Check Repair Kit</b> Contains: 28-29-31-32-33-35-42	LW5400	LW5401	LW5402	LW5403	LW5404
<b>Thermostat Replacement Kit</b> Contains: 7 and 22 (Temp. Range: 85-135°)	LW5500				
<b>Bonnet Assembly</b> Contains: 1-2-18-19-21	LW5150				
<b>O-Ring and Gasket Kit</b> Contains: 7-10-18-24-29-35-41-42	LW5300	LW5301	LW5302	LW5303	LW5304

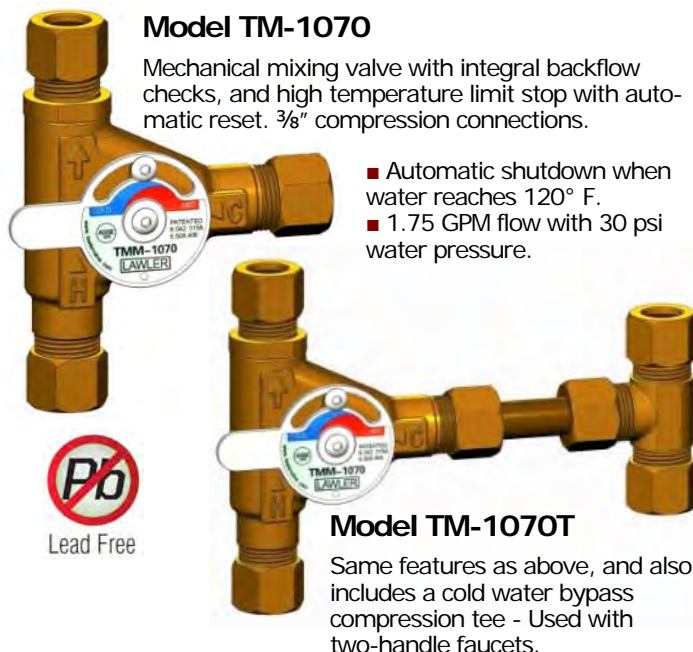
# Lawler Point-of-Use Mixing Valves

## Lawler "Mechanical" Point-of-Use Mixing Valves

The Lawler TM-1070 series of mechanically operated "point-of-use" domestic water mixing valves include a high temperature limit stop (factory set to approximately 120° F) to prevent against accidental scalding.

### Features and Benefits:

- Simple operation for one point-of-use faucet.
- TM-1070 for single supply; TM-1070T for dual supply.
- Select temperatures from full cold to 115° F.
- Minimum operating pressure: 5 psi
- Maximum flow rate: 2.1 gpm @ 45 psi, or 1.75 @ 30 psi.
- ASSE certified 1070. Most often installed at point-of-use.
- Lead free bronze construction; Max. water pressure: 125 psi.



**Model TM-1070**

Mechanical mixing valve with integral backflow checks, and high temperature limit stop with automatic reset. 3/8" compression connections.

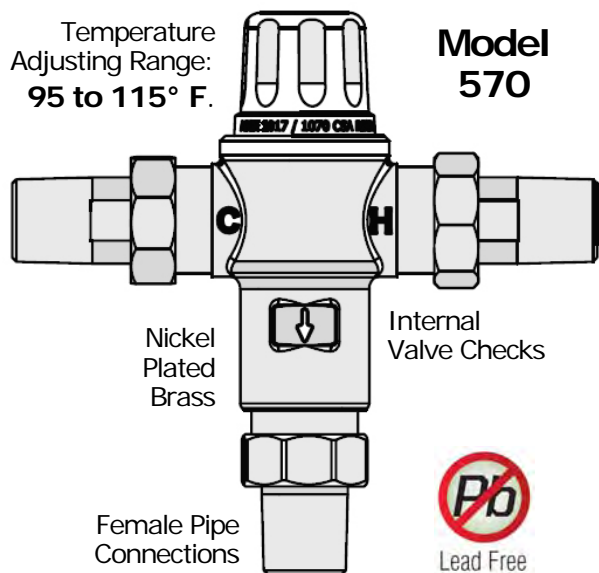
- Automatic shutdown when water reaches 120° F.
- 1.75 GPM flow with 30 psi water pressure.

**Model TM-1070T**

Same features as above, and also includes a cold water bypass compression tee - Used with two-handle faucets.

Model	Description	Wgt. lbs.	Order No.
TM-1070	Mechanical mixer, 3/8" compression connections. 120° shutoff.	0.5	LW1050
TM-1070T	Mechanical mixer like above, also includes a cold water bypass for two-handle faucets.	0.5	LW1155

## Lawler "Thermostatic" Point-of-Use Mixing Valves



**Model 570**

The Lawler Model 570 is a thermostatic mixing valve deployed at the point-of-use. Select from 1/2" and 3/4" female pipe connections. Delivers up to 10 GPM of mixed water @ 30 psi. ASSE 1069 & 1070.

- Max. pressure: 125 psi
- Max. temp: 180° F.
- Lead free <0.025 %
- Factory Preset: 105° F
- Adj. Temp: 95-115° F.

Model	Connections & Part No.	Wgt. lbs.	Order No.
Model 570	1/2" female pipe Part No. 87500-00	1.8	LW1160
	3/4" female pipe Part No. 875000-02	2.1	LW1165

### To adjust the temperature:

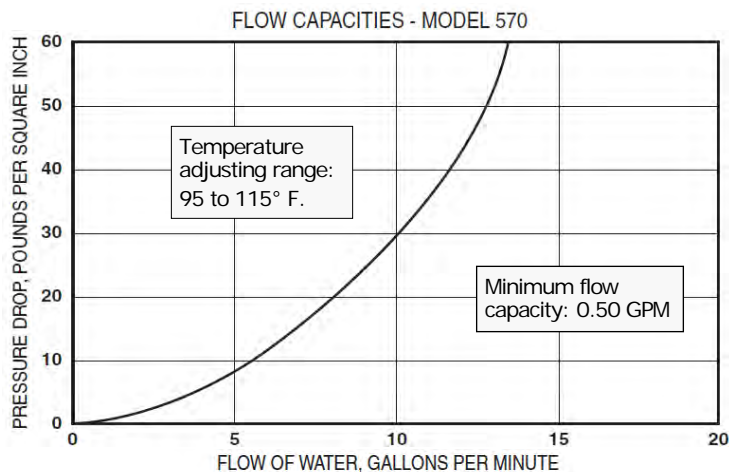
Remove the cap to gain access to the adjusting spindle. The spindle should be rotated clockwise to reduce the temperature, and counter clockwise to increase the temperature.

### Model 570 Flow Capacities

Certified ASSE 1069 & 1070

PSI	5	10	20	40
<b>Capacity in GPM</b>				
No. 570, 1/2" FPT	4	6	7	8.5
No. 570, 3/4" FPT	6	7	8	10

Minimum flow capacity: 0.50 GPM



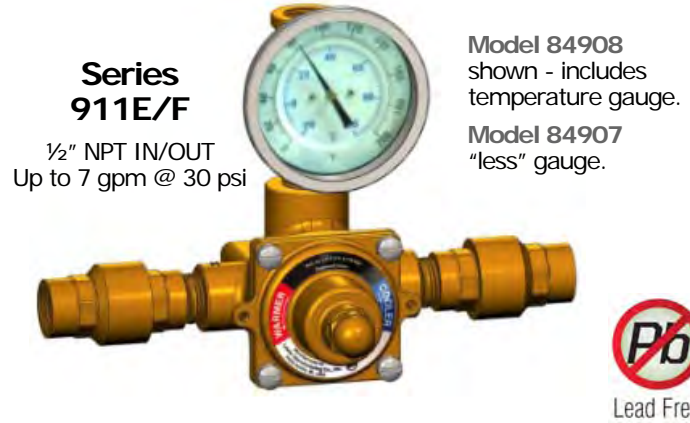
# Lawler Emergency Thermostatic Mixing Valves

## 911E/F Low Flow Capacity Emergency Mixing Valves

Suitable for a single emergency eye/face wash application, the Lawler 911E/F mixing valve utilizes a liquid-filled thermostatic motor to drive the valve without other power requirements. In the event of cold water supply failure, the control mechanism closes off the hot water port, stopping all flow.

### Features and Benefits:

- Pipe inlet & outlet size, 1/2" female pipe connections.
- Maximum inlet pressure: 125 psi.
- Recommended supply pressure: 65 psi.
- Recommended inlet temperature: 120° F.
- ASSE 1071 approved. Complies with ANSI Z358.1-2009.
- Dial thermometer for outlet valve with Model 84908.
- Automatic hot water shutoff upon thermostat failure.
- Integral stop & check valves on supply inlets.

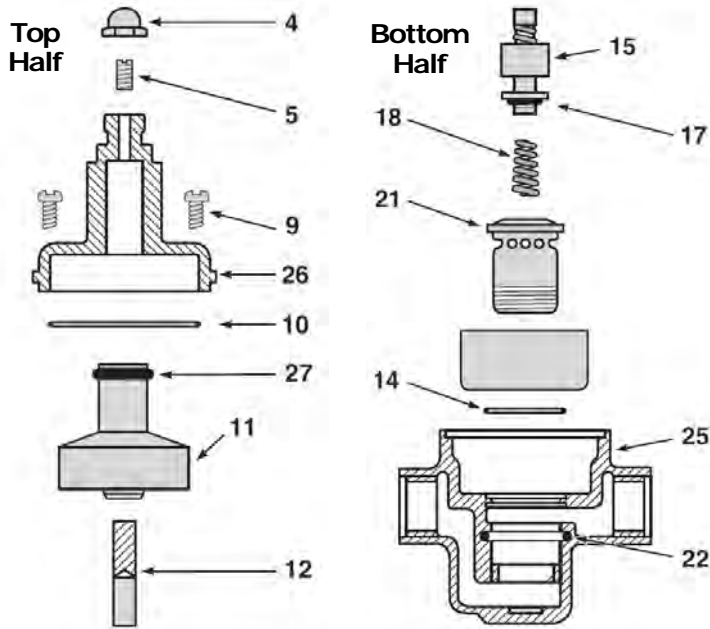


### Model 911E/F Flow Capacities

Pressure Drop, PSI	5	10	20	30	45
Tempered Flow, GPM	2	3	5	7	10
Cold Bypass Flow, GPM	1	2	4	5	7

Model	Description	Wgt. lbs.	Order No.
84907-00	Emergency mixing valve, 1/2" FPT	5.0	<a href="#">LW1102</a>
84908-01	Same with temperature gauge	6.0	<a href="#">LW1107</a>

### Repair Kits



Model 911E/F Repair Kits	Items included	Wgt. lbs.	Order No.
Major Repair Kit, Pre-assembled	11, 12, 15, 18, 21 & O-Ring/Gasket Kit	3.6	<a href="#">LW1180</a>
O-Ring & Gasket Kit	10, 14, 17, 22, 27	1.0	<a href="#">LW1182</a>
Cover Assembly	4, 5, 10, 26	1.0	<a href="#">LW1184</a>
Piston & Liner Assembly	14, 15, 17, 18, 21	1.6	<a href="#">LW1186</a>
Thermostat Assembly	10, 11, 27	1.8	<a href="#">LW1188</a>

# Lawler Emergency Thermostatic Mixing Valves

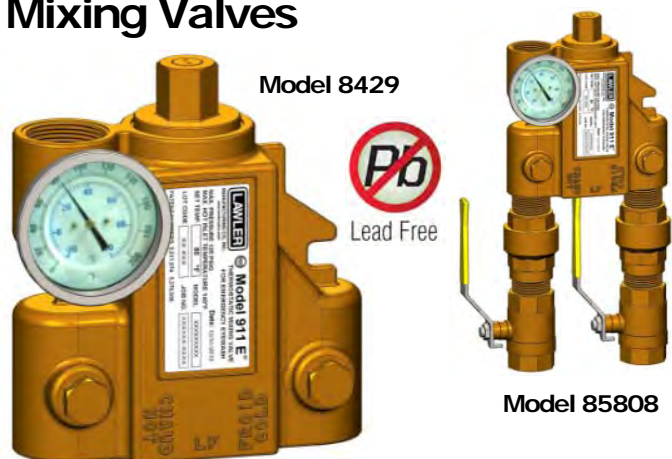
## 911E Mid Flow Capacity Emergency Mixing Valves

Suitable for a single emergency shower or one or more eye/face wash applications, the Lawler 911E mixing valve utilizes a liquid-filled thermostatic motor to drive the valve without other power requirements. If cold water supply failure, the control mechanism closes off the hot water port, stopping all flow.

### Features and Benefits:

- Pipe inlet & outlet size, 1¼" NPT
- Minimum supply pressure: 35 psi.
- Recommended supply pressure: 65 psi.
- Recommended inlet temperature: 120° F.
- ASSE 1071 approved. Complies with ANSI Z358.1-2009.
- Dial thermometer provided for outlet valve.
- Automatic hot water shutoff upon thermostat failure.

**Series 911E**  
1¼" IN/OUT



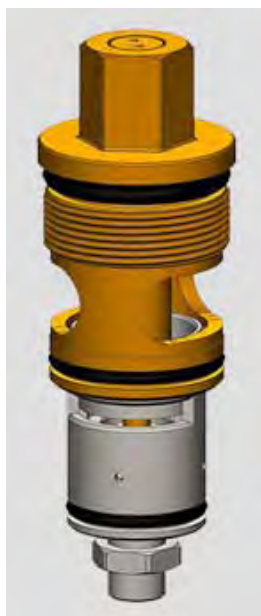
### Model 911E Flow Capacities

Pressure Drop, PSI	5	10	20	30	45
Tempered Flow, GPM	9	13	17	25	27
Cold Bypass Flow, GPM	7	10	14	21	22

Model	Description	Wgt. lbs.	Order No.
8429-10	Emergency mixing valve only, 1¼"	14	<a href="#">LW1105</a>
85808-01	Same as 8429 but includes lockable ball valves on inlets.	21	<a href="#">LW1107</a>

### Repair Parts

#### Thermostatic Cartridge



#### Thermometer



Model 911E Repair Kits	Wgt. lbs.	Order No.
Thermostatic Cartridge	2	<a href="#">LW1190</a>
Digital Thermometer	2	<a href="#">LW5585</a>

# Lawler Emergency Thermostatic Mixing Valves

## 911 High Capacity Emergency Mixing Valves

Series  
911

Model 8334 shown

Lawler Model 911 emergency mixing valves employ 2 thermostatic motors to split the flow of water in half, then blend each half to the design temperature, and integrate each stream at the outlet. Great for multiple deluge showers and eye/face units. Includes three digital thermometers.

### Features and Benefits:

- Pipe inlet & outlet size, 1¼" NPT.
- Maximum inlet pressure: 125 psi.
- Recommended supply pressure: 65 psi.
- Recommended inlet temperature: 120° F.
- ASSE 1071 approved. Complies with ANSI Z358.1-2009.
- Three digital thermometers included.
- Automatic hot water shutoff upon thermostat failure.
- Second thermostatic motor unaffected by ones failure.



When one thermostatic motor fails, the second motor is unaffected, and will maintain design temperature.

The emergency fixture itself should be installed within 4- to 10-feet of the mixing valve.

### Model 911 Flow Capacities

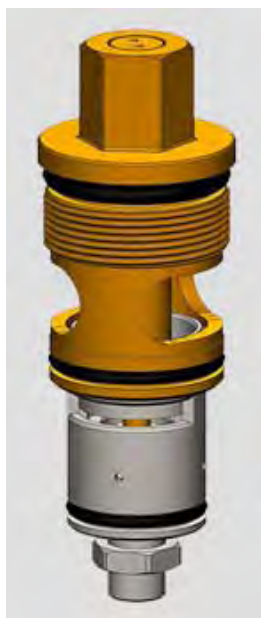
Pressure Drop, PSI	5	10	20	30	45
Tempered Flow, GPM	25	35	50	60	72
Cold Bypass Flow, GPM	53	75	106	151	170

Model	Description	Wgt. lbs.	Order No.
8334-36	Emergency mix valve only, 1¼"	31	<a href="#">LW1110</a>
84708-01	Same as 8334 but with lockable ball valves on supply inlets	56	<a href="#">LW1112</a>

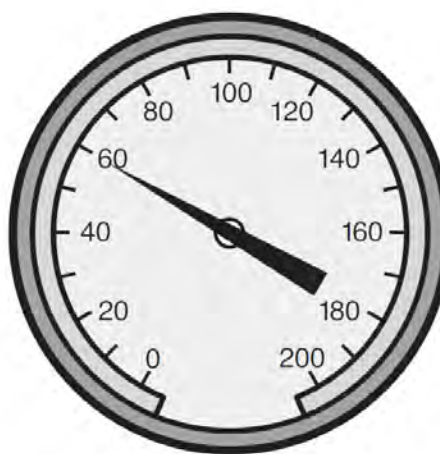
This fixture not intended to dispense water for human consumption.

### Repair Parts

#### Thermostatic Cartridge



#### Thermometer

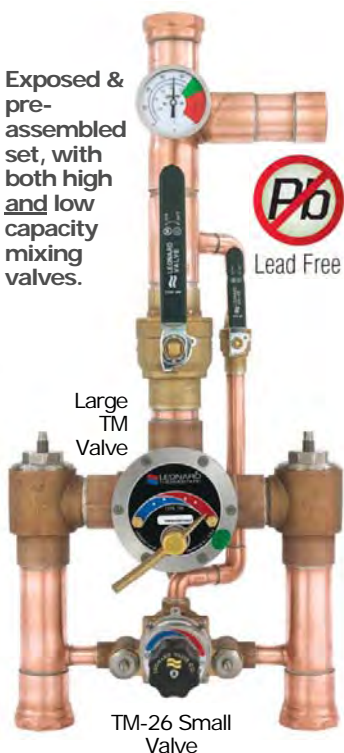


Model 911 Repair Kits	Wgt. lbs.	Order No.
Thermostatic Cartridge	2	<a href="#">LW1190</a>
Digital Thermometer	2	<a href="#">LW5585</a>

# Leonard Domestic Water Thermostatic Mixing Valves

## TM High & Low Volume Demand Dual Thermostatic Mixing Valves

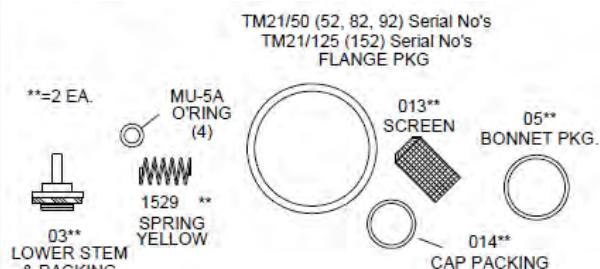
Exposed & pre-assembled set, with both high and low capacity mixing valves.



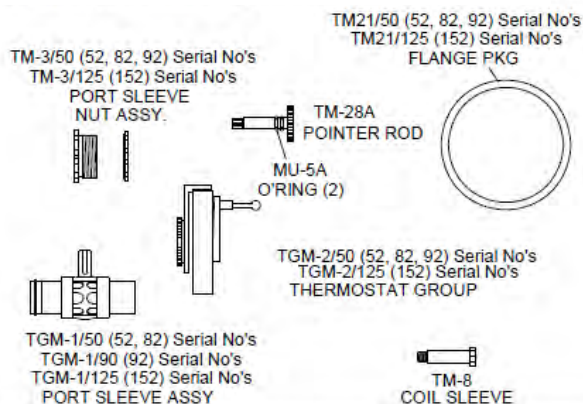
- Includes Large and Small thermostatic mixing valves to work as a system.
- Full time standby service eliminates downtime when one valve needs repair.
- Meets the demands of both high and low volumes of tempered water.
- Solid Bi-Metal thermostats; provide precise temperature Dial thermometer temperature range: 0-140° F.
- Also available mounted in cabinet assemblies.
- Bronze, brass and stainless steel internal construction.
- Maximum supply pressure: 125 psi. Maximum hot water temperature: 200° F.
- All models pre-assembled and ASSE 1017 listed; Third party certified as lead free.
- Install at any system piping location, regardless of pressure differential.

## Repair Kits for TM High & Low Volume Demand Mixing Valves

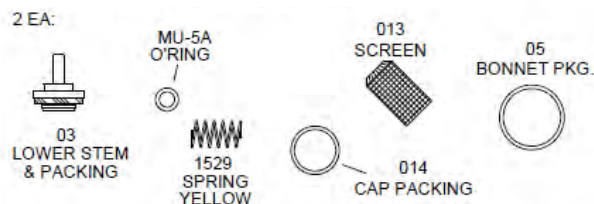
### Packing & Gasket Kit



### Rebuilding Kit



### Checkstop Kit



Model	Description	Wgt. lbs.	Order No.
TM-520B-LF-DT	<ul style="list-style-type: none"> <li>■ ¾" hot and cold inlets, 1" domestic water outlet.</li> <li>■ Provides mixed water volume up to 56 gpm @ 30 psi.</li> <li>■ Certified lead free.</li> <li>■ ASSE Standard 1017 listed</li> </ul>	31	<a href="#">LN1173</a>
TM-820B-LF-DT	<ul style="list-style-type: none"> <li>■ 1" hot and cold inlets, 1¼" domestic water outlet.</li> <li>■ Provides mixed water volume up to 68 gpm @ 30 psi.</li> <li>■ Certified lead free.</li> <li>■ ASSE Standard 1017 listed</li> </ul>	33	<a href="#">LN1175</a>
TM-1520B-LF-DT	<ul style="list-style-type: none"> <li>■ 1½" hot and cold inlets, 1½" domestic water outlet.</li> <li>■ Provides mixed water volume up to 120 gpm with 30 psi.</li> <li>■ Certified lead free.</li> <li>■ ASSE Standard 1017 listed</li> </ul>	42	<a href="#">LN1180</a>
TM-2020B-LF-DT	<ul style="list-style-type: none"> <li>■ 2" hot and cold inlets, 2" domestic water outlet.</li> <li>■ Provides mixed water volume up to 172 gpm with 30 psi.</li> <li>■ Certified lead free.</li> <li>■ ASSE Standard 1017 listed</li> </ul>	58	<a href="#">LN1185</a>

Repair Models	Repair Kits	Order No.
TM-520, TM-820	Packings & Gaskets Kit, 1/50Y	<a href="#">LN2000</a>
	Rebuilding Kit, R/50	<a href="#">LN2002</a>
TM-1520	Packings & Gaskets Kit, 1/125Y	<a href="#">LN2010</a>
	Rebuilding Kit, R/125	<a href="#">LN2012</a>
TM-520, TM-820 TM-1520	Checkstop Kit, 2/50Y	<a href="#">LN2001A</a>
TM-2020 <i>Parts Not Pictured</i>	Packings & Gaskets Kit, 1/200Y	<a href="#">LN2001C</a>
	Rebuilding Kit, R/200N	<a href="#">LN2001E</a>
	Checkstop Kit, 2/200Y	<a href="#">LN2001H</a>

# Leonard Domestic Water Thermostatic Mixing Valves

## XL High & Low Volume Demand Single Thermostatic Mixing Valves



Model XL-32-LF-BDT



Model XL-82-LF-BDT



Model XL-150-LF-BDT

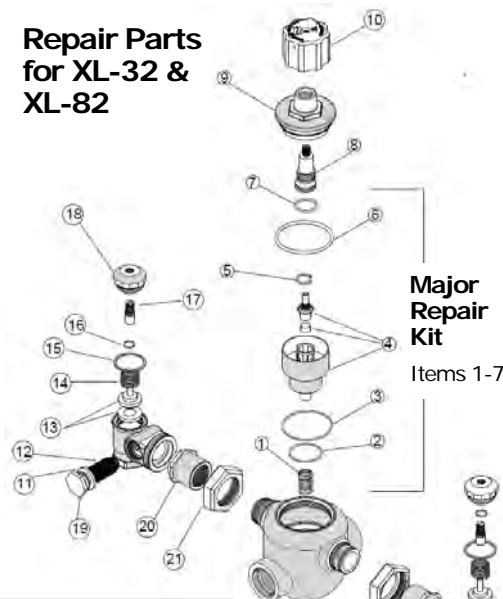


Model XL-200-SW-LF-BDT

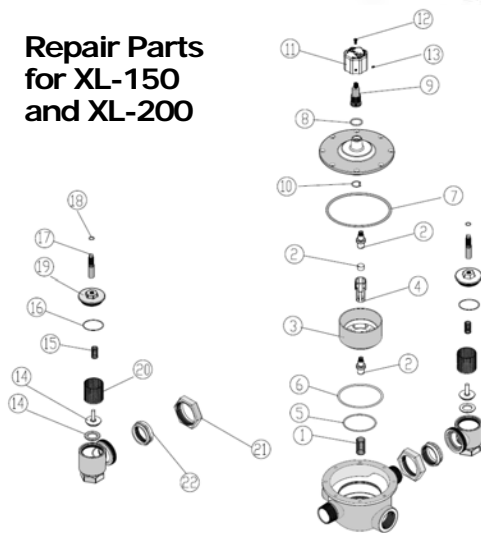
- Includes a dial thermometer (0 to 140° F) and outlet ball valve pre-assembled to mixing valve. Not shown.
- Copper encapsulated, paraffin-based thermostatic elements provide efficient response time to changes in temperature or pressure.
- Integral combination checkstops on inlets.
- Locking temperature regulator handle.
- Integral wall supports.
- Also available mounted in cabinet assemblies.
- Bronze, brass and stainless steel internal construction.
- Maximum supply pressure: 125 psi. Maximum hot water temperature: 200° F.
- All models pre-assembled and ASSE 1017 listed; Third party certified as lead free.

## Repair Kits for XL High & Low Volume Demand Mixing Valves

### Repair Parts for XL-32 & XL-82



### Repair Parts for XL-150 and XL-200



Model	Description	Wgt. lbs.	Order No.
XL-32-LF-BDT <i>Female pipe connections</i>	<ul style="list-style-type: none"> <li>■ 3/4" hot and cold inlets and outlets, 3/4" return line.</li> <li>■ Provides mixed water volume of 26 gpm @ 30 psi. gpm.</li> <li>■ Includes dial thermometer (0-140° F) &amp; outlet ball valve.</li> <li>■ ASSE Standard 1017 listed</li> </ul>	17	<a href="#">LN1187</a>
XL-82-LF-BDT <i>Female pipe connections</i>	<ul style="list-style-type: none"> <li>■ 1" inlets, 1 1/4" outlet and 1" return line.</li> <li>■ Provides mixed water volume of 48 gpm @ 30 psi.</li> <li>■ Includes dial thermometer (0-140° F) &amp; outlet ball valve.</li> <li>■ ASSE Standard 1017 listed</li> </ul>	21	<a href="#">LN1190</a>
XL-150-LF-BDT <i>Female pipe connections</i>	<ul style="list-style-type: none"> <li>■ 1 1/4" inlets, 1 1/2" outlet and 1" return line.</li> <li>■ Provides mixed water volume of 103 gpm @ 30 psi.</li> <li>■ Includes dial thermometer (0-140° F) &amp; outlet ball valve.</li> <li>■ ASSE Standard 1017 listed</li> </ul>	34	<a href="#">LN1195</a>
XL-200-SW-LF-BDT <i>Sweat copper connections</i>	<ul style="list-style-type: none"> <li>■ 2" hot and cold inlets/outlets (sweat copper), 1" return line.</li> <li>■ Provides mixed water volume of 163 gpm @ 30 psi.</li> <li>■ Includes dial thermometer (0-140° F) &amp; outlet ball valve.</li> <li>■ ASSE Standard 1017 listed</li> </ul>	51	<a href="#">LN1200</a>

Repair Models	Repair Kits	Order No.
XL-32	Major Repair Kit: Items 1 - 7; Kit No. R/XL32	<a href="#">LN2001K</a>
	O-Ring Kit: Items 2,3,6,7; Kit No. 1/XL32	<a href="#">LN2001M</a>
	Check Kit: Items 11 - 16; Kit No. 2/50	<a href="#">LN2001</a>
XL-82	Major Repair Kit: Items 1 - 7; Kit No. R/XL82	<a href="#">LN2040</a>
	O-Ring Kit: Items 2,3,6,7; Kit No. 1/XL82	<a href="#">LN2045</a>
	Check Kit: Items 11 - 16; Kit No. 2/50	<a href="#">LN2001</a>
XL-150	Major Repair Kit: 1-8, 10; Kit No. R/XL150	<a href="#">LN2050</a>
	O-Ring Kit: 5-8; Kit No. 1/XL150	<a href="#">LN2055</a>
	Shuttle: 1-4; Kit No. 2/XL150	Obsolete
XL-200	Check Kit: 14-16, 18, 20; Kit No. 4/984	<a href="#">LN2065</a>
	Major Repair Kit: 1-8, 10; Kit No. R/XL200	<a href="#">LN2070</a>
	O-Ring Kit: 5-8; Kit No. 1/XL200	<a href="#">LN2075</a>
XL-200	Shuttle: 1-4; Kit No. 2/XL200	Obsolete
	Check Kit: 14-16, 18, 20; Kit No. 2/200/C	<a href="#">LN2085</a>



# Leonard Domestic Water Thermostatic Mixing Valves

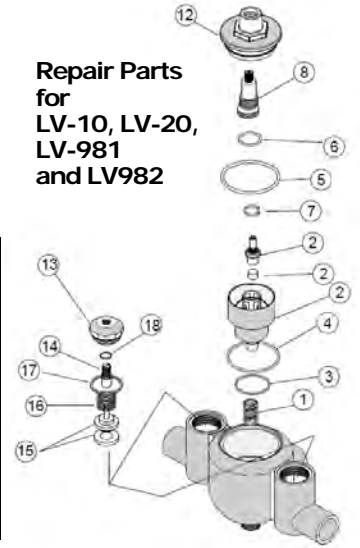
## Leonard LV Series Thermostatic Mixing Valves



- Includes a single thermostatic mixing valve, factory pre-assembled to pipe, fittings and valves as shown.
- Paraffin-based thermostatic element. Not circulating pump dependent to achieve minimum flow performance.
- Adjustable temperature range: 90-140° F.
- Integral combination checkstops on inlets.
- Locking temperature regulator handle & integral wall supports.
- Also available mounted in cabinet assemblies.
- Bronze, brass and stainless steel internal construction.
- Maximum supply pressure: 125 psi. Maximum hot water temperature: 200° F.
- All models pre-assembled; ASSE 1017 listed; Lead Free.

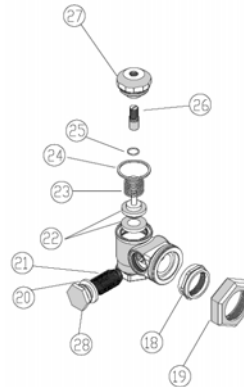
## Repair Kits for Leonard LV Series Thermostatic Mixing Valves

Repair Parts for LV-10, LV-20, LV-981 and LV982

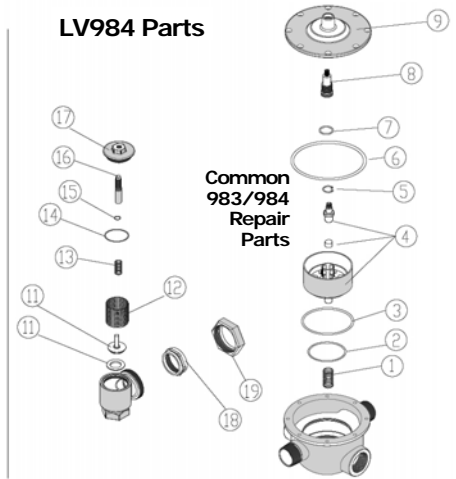


Troubleshooting / Repair	
Leak at stem or between cover and base.	Packing Gasket Kit
Either all hot or all cold water	Shuttle Assembly
Hot water bypass into cold line, supplies can't shutoff	Checkstop Kit

### LV983 Parts



### LV984 Parts



Model	Description	Wgt. lbs.	Order No.
LV-10-LF	■ Chrome plated bronze finish ■ ½" x ½" IN and OUT ■ 1.5 to 15 GPM flow	14	<a href="#">LN1005A</a>
LV-10-LF	■ Bronze finish ■ ½" x ½" IN and OUT ■ 1.5 to 15 GPM flow	14	<a href="#">LN1005E</a>
LV-20-LF	■ Parafin thermostat assembly ■ ¾" x ¾" IN and OUT ■ 1.0 to 25 GPM flow	14	<a href="#">LN1160</a>
LV-981A-LF <i>Bronze</i>	■ Parafin thermostat assembly ■ ¾" x ¾" IN and OUT ■ 2.5 to 44 GPM flow	15	<a href="#">LN1165</a>
LV-981A-LF-BDT <i>With ball valve &amp; dial thermometer</i>	■ Same as LV-981A, <u>but</u> includes ball valve with dial thermometer on outlet. ■ ¾" IN/OUT; 2.5 to 44 GPM.	17	<a href="#">LN1167</a>
LV-982-LF <i>Bronze</i>	■ Parafin thermostat assembly ■ 1" x 1¼" IN and OUT ■ 3.0 to 66 GPM flow	18	<a href="#">LN1170</a>
LV-983-LF <i>Bronze</i>	■ Parafin thermostat assembly ■ 1¼" x 1¼" IN and OUT ■ 5.0 to 126 GPM flow	30	<a href="#">LN1016A</a>
LV984-LF <i>Bronze</i>	■ Parafin thermostat assembly ■ 1¼" x 1½" IN and OUT ■ 6.0 to 148 GPM flow	31	<a href="#">LN1017A</a>

Repair Models	Repair Kits	Order No.
LV-10, LV-20	Major Repair Kit: Items 1-7, No. R/XL32	<a href="#">LN2001K</a>
	O-Ring Kit: Items 3-6, No. 1/XL32	<a href="#">LN2001M</a>
	Check Kit: Items 15-18, No. 4/M20	<a href="#">LN2090</a>
LV-981	Packings & Gasket Kit: Items 3-6, 1/XL32	<a href="#">LN2001M</a>
	Shuttle Assembly: Items 1-7, No. R/LV981	<a href="#">LN2095</a>
LV-982	Checkstops Kit: Items 11-16, No. 2/50	<a href="#">LN2001</a>
	Packings & Gasket Kit: Items 2-3, 6-7, 1/XL82	<a href="#">LN2045</a>
LV-983	Shuttle Assembly: Items 1-7, No. R/LV982	<a href="#">LN2100</a>
	Checkstops Kit: Items 11-16, No. 2/50	<a href="#">LN2001</a>
	Major Repair Kit: 1-8, 10 No. R/XL150	<a href="#">LN2050</a>
	O-Ring Kit: 5-8 No. 1/XL150	<a href="#">LN2055</a>
LV-984	Shuttle: 1-4 No. 2/XL150	Obsolete
	Check Kit: 14-16, 18, 20 No. 4/984	<a href="#">LN2065</a>
	Major Repair Kit: 1-8, 10 No. R/XL200	<a href="#">LN2070</a>
	O-Ring Kit: 5-8 No. 1/XL200	<a href="#">LN2075</a>
LV-984	Shuttle: 1-4 No. 2/XL200	Obsolete
	Check Kit: 14-16, 18, 20 2/200/C	<a href="#">LN2085</a>

# Leonard Domestic Water Thermostatic Mixing Valves

## Leonard Temperature Limiting Thermostatic Mixing Valves



170A-LF



270-LF



370-LF



Lead Free

- Temperature limiting mixing valves used to supply a single faucet (170A-LF) or multiple faucets (270- and 370-LF).
- Copper encapsulated paraffin wax thermostatic element.
- Integral hot and cold inlet checks and stainless steel screen.
- Controls down to 0.25 gpm
- Includes vandal-resistant temp. adjustment cap or lock-nut: prevents accidental change of water temperature.
- Also available mounted in cabinet assemblies.
- Bronze, brass and stainless steel internal construction.
- Maximum supply pressure: 125 psi. Maximum water supply temperature: 200° F.
- All models pre-assembled and ASSE 1070 listed; Third party certified as lead free.

Model	Description	Wgt. lbs.	Order No.
170A-LF	<ul style="list-style-type: none"> <li>■ Supplies one faucet</li> <li>■ 3/8" tubing or flex hose install</li> <li>■ Adj. temp. range: 95-120 F</li> <li>■ 0.25 to 4 GPM flow</li> </ul>	1	<a href="#">LN1025</a>
270-LF	<ul style="list-style-type: none"> <li>■ Supplies multiple faucets</li> <li>■ 1/2" male pipe connections</li> <li>■ Temp. adj. range: 90-140 F</li> <li>■ 0.25 to 12 GPM flow</li> </ul>	2	<a href="#">LN1210</a>
370-LF	<ul style="list-style-type: none"> <li>■ Supplies multiple faucets</li> <li>■ 3/4" male pipe connections</li> <li>■ Temp. adj. range: 90-140 F</li> <li>■ 0.50 to 49 GPM flow</li> </ul>	2	<a href="#">LN1215</a>
Cold Water Bypass (BP) Shipped Loose	3/8" cold water by pass for 170A-LF mixing valve serving a manual, two-handle faucet.	0.50	<a href="#">LN1217</a>
Wall Bracket BRKT-170A	Wall support for 170A-LF	0.50	<a href="#">LN1217A</a>
Wall Bracket BRKT-270/370	Wall support for 270/370-LF	2	<a href="#">LN1217C</a>



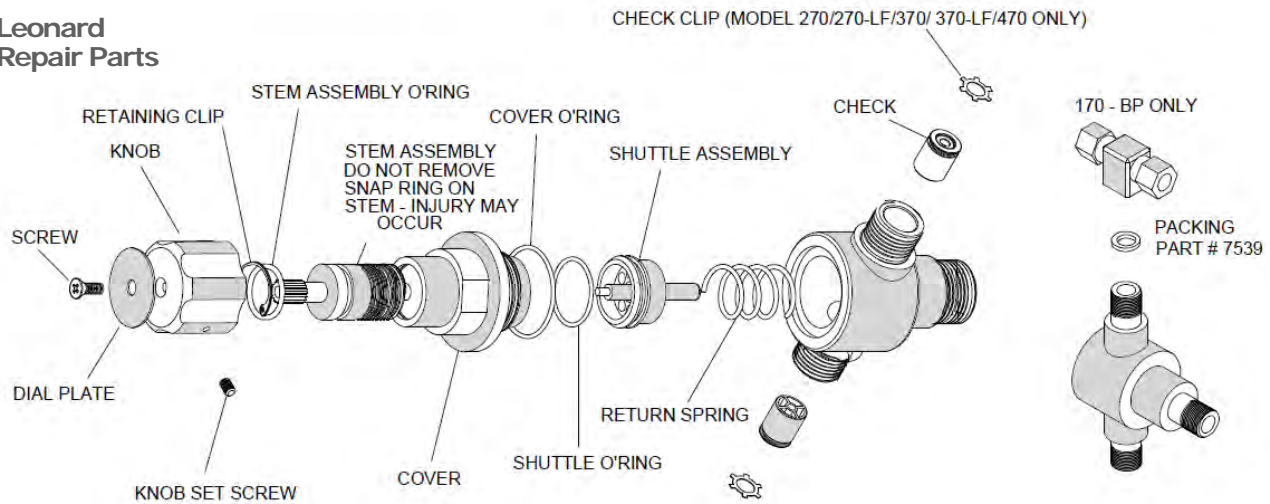
**Cold Water Bypass**  
For two-handle manual faucets



**Support Bracket**

## Repair Parts for series 170, 270, 370 and 470 Thermostatic Mixing Valves

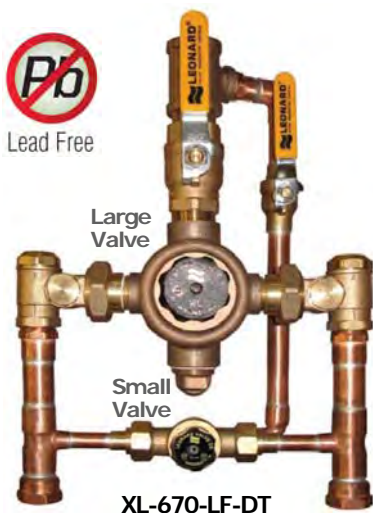
### Leonard Repair Parts



Repair Parts & Troubleshooting	Repair Kit	Contents of Kit	Order No. 170-LF	Order No. 270-LF	Order No. 370-LF
Leaking water between valve cover and body. Leaking water under knob.	Gasket Kit	Shuttle O-Ring, Stem assembly O-Ring, Cover O-Ring.	<a href="#">LN2105</a>		
Valve will not control temperature after cleaning.	Rebuild Kit	Return Spring, Shuttle assembly, Shuttle O-ring, Stem Assembly O-Ring, Cover O-Ring.	<a href="#">LN2110</a>	<a href="#">LN2115</a>	
Hot water bypasses into cold water supply. Cold water bypasses into hot water supply.	Check-Stop Kit	2 check valves and 2 check clips. <i>Clips only for models 270 and 370.</i>	<a href="#">LN2120</a>	<a href="#">LN2125</a>	<a href="#">LN2130</a>

# Leonard Domestic Water Thermostatic Mixing Valves

## Leonard High/Low Thermostatic Mixing Valves



- Includes dial thermometer on the outlet (not shown). Optional dial thermometer on inlet: Specify model XL-670-LF-DT-IT.

- Temperature adjustment range, 90° to 140° F with locking temp. regulating handle preset to 120° F.

- Integral combination checkstops, with strainers and wall support.

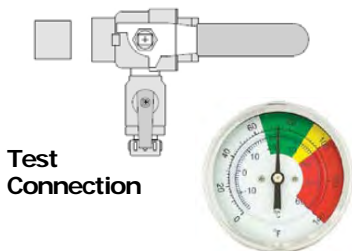
- Low flow: 2.5 gpm (down to 0.50 gpm with pump); High flow up to 65 gpm.

- Copper encapsulated thermostatic element with stainless steel shuttle.

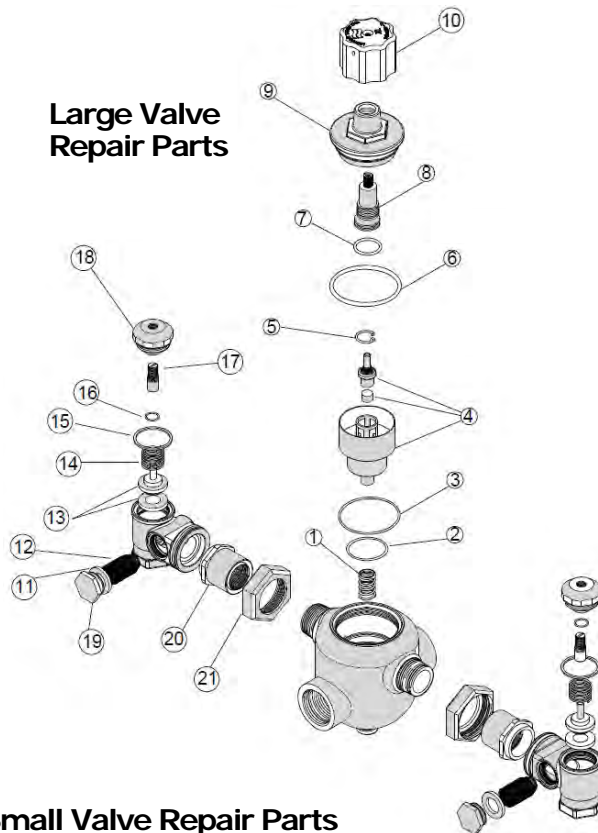
- Optional Test Connections available (add suffix -TC)

- Bronze, brass and stainless steel internal construction.

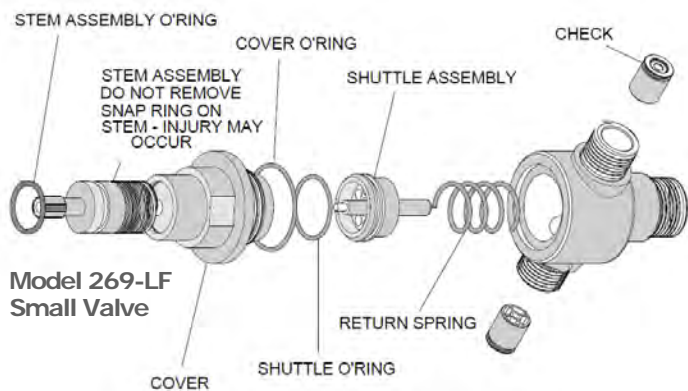
- ASSE 1070 certified point-of-use or source.



## Repair Parts for Leonard XL-670 High/Low Point-of-Use Thermostatic Mixing Valve



### Small Valve Repair Parts



Complete Models		Wgt. lbs.	Order No.
XL-670-LF-DT	<ul style="list-style-type: none"> <li>■ Copper encapsulated therm.</li> <li>■ 1" IN x 1¼_OUT, NPT pipe</li> <li>■ 2.5 to 65 GPM flow</li> <li>■ Copper encapsulated therm.</li> </ul>	140	<b>LN1202</b>
269-LF Small Valve Replacement	<ul style="list-style-type: none"> <li>■ Small valve used on XL-670</li> <li>■ ½" IN x OUT male pipe conn.</li> <li>■ 1.0 to 11.5 GPM flow</li> </ul>	2	<b>LN1202H</b>

XL-670 Repair Parts & Troubleshooting	Repair Kit	Contents of Kit Large Valve	Contents of Kit Small Valve	Large Valve Order No.	Small Valve Order No.
Leaking water between valve cover and body. Leaking water under knob.	Gasket Kit	Items 2, 3, 6 and 7	Shuttle O-Ring Stem Assembly O-Ring Cover O-Ring	<b>LN2045</b>	<b>LN2105</b>
Valve will not control temperature after cleaning.	Rebuild Kit	Items 1 through 7	Return Spring Shuttle Assembly Shuttle O-Ring Cover O-Ring	<b>LN2040</b>	<b>LN2135</b>
Hot water bypasses into cold water supply. Cold water bypasses into hot water supply.	Check Valve Kit	Items 11 through 16	Two check valves Two check Clips	<b>LN2140</b>	<b>LN2125</b>

# Leonard Emergency Mixing Valves & Shower Valves

## Leonard Emergency Face & Body Wash Thermostatic Mixing Valves

## Repair Parts for Leonard Emergency Face & Body Wash Mixing Valves



TM-300-LF

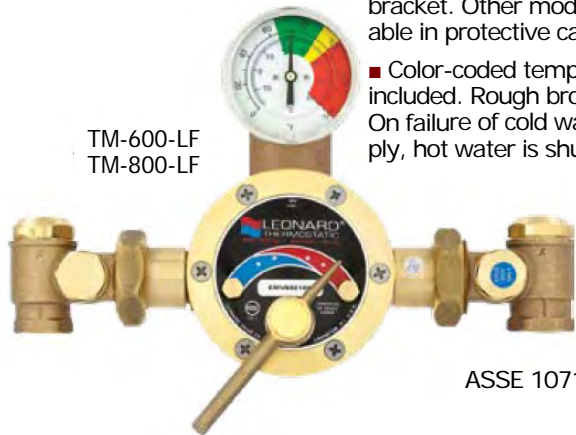
- Bi-metal thermostatic element controls water temp. @ 85° F. Limit stop @ 90° F.

- Minimum hot water supply temp. @ 140° F. Minimum water supply press. @ 30 psi

- Integral hot and cold inlet checks and stainless steel screen.

- Integral wall mounting bracket. Other models available in protective cabinet.

- Color-coded temp. gauge included. Rough bronze finish. On failure of cold water supply, hot water is shut down.



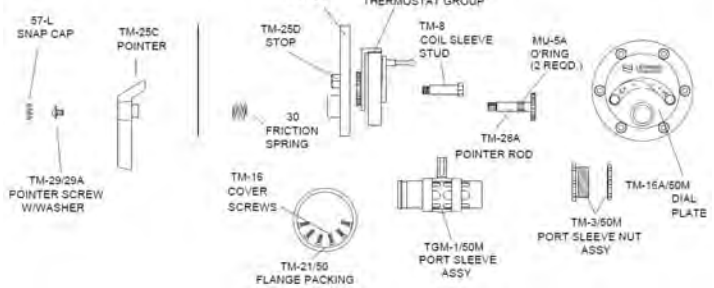
TM-600-LF  
TM-800-LF



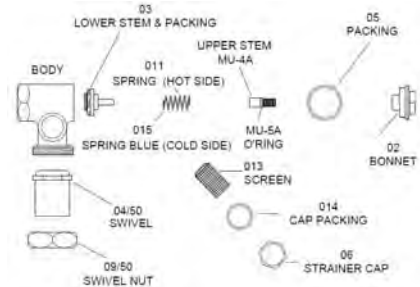
Lead Free

ASSE 1071 Certified

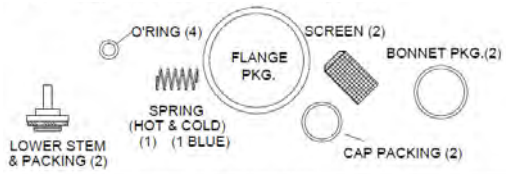
### TM600/800 Control Valve Parts



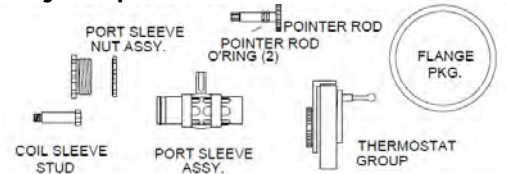
### TM600/800 Check Stop Valve Repair Parts



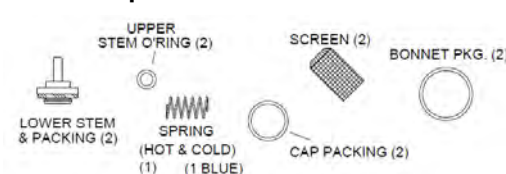
### Packing & Gaskets Kit: 1/50M



### Major Repair Kit: R/50M

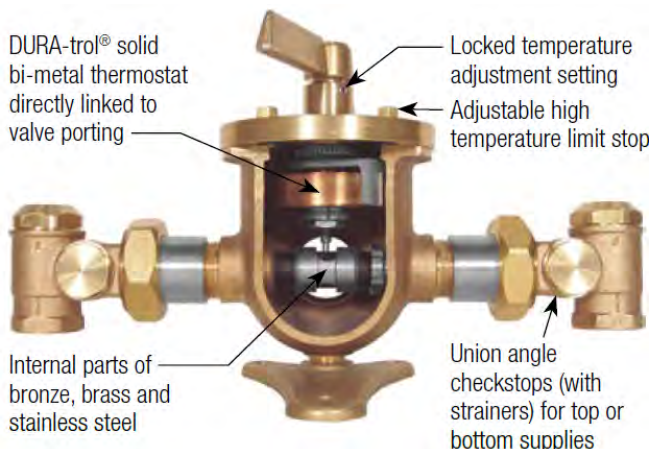


### Check Stop Valve Kit: 2/50M



Model	Description	Wgt. lbs.	Order No.
TA-300-LF-RF Rough Brass	<ul style="list-style-type: none"> <li>■ Single Eye/Face Mixing Valve</li> <li>■ ½" IN/OUT pipe connections</li> <li>■ Set to deliver 85° F water</li> <li>■ 0.5 to 10.0 GPM</li> </ul>	10	<a href="#">LN1125</a>
TM-600-LF-RF Rough brass	<ul style="list-style-type: none"> <li>■ Supplies single shower unit</li> <li>■ ¾" IN, 1" OUT pipe conn.</li> <li>■ Set to deliver 85° F water</li> <li>■ 3.0 to 58.0 GPM flow</li> </ul>	20	<a href="#">LN1130</a>
TM-800-LF-RF Rough Brass	<ul style="list-style-type: none"> <li>■ Supplies multiple fixtures</li> <li>■ 1" IN, 1¼" OUT pipe conn.</li> <li>■ Set to deliver 85° F water</li> <li>■ 3.0 to 64.0 GPM flow</li> </ul>	20	<a href="#">LN1135</a>

### View of TM-600 and TM-800 Valve



Repair Models	Repair Kits	Order No.
TA-300 Parts Not Shown	Major Repair Kit: R/TA/M <i>Includes Packings &amp; Gasket Kit</i>	<a href="#">LN2035</a>
	Check Stop Valve Kit: 4/LVC	<a href="#">LN2006</a>
TM-600 and TM-800	Packings & Gasket Kit, 1/50M	<a href="#">LN2000</a>
	Major Repair Kit: R/50M	<a href="#">LN2002</a>
	Check Stop Valve Kit: 2/50M	<a href="#">LN2145</a>

# Leonard Thermostatic Mixing Shower & Tub Valves

## Leonard Thermostatic Mixing Shower Valves



4500 Shower / Tub



7600 Shower Valve

- 1/2" connections: inlets, top and bottom outlets. For tub and/or shower installations.
- All models have automatic water shutdown to reduce water flow if supply fails. All models pressure balanced.
- Adjustable high temp. limit stop set for 110° F.
- Integral combination checkstops on inlets.
- Built-in shutoff with single, cast lever handle operation.
- Bronze, brass and stainless steel construction with copper encapsulated thermostat assembly.
- Color-coded dials highlight hot and cold water direction.
- Maximum supply pressure: 125 psi. Minimum water flow @ 1.5 gpm.
- All models pre-assembled and ASSE 1016, Type T listed.



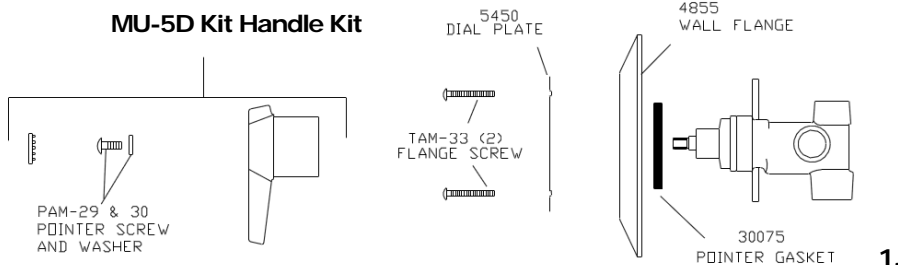
4500 LR Shower / Tub Valve with vandal resistant screws and ligature resistant handle.

4500 LR Same as the Model 4500 valve, except the handle is both vandal resistant and ligature resistant.

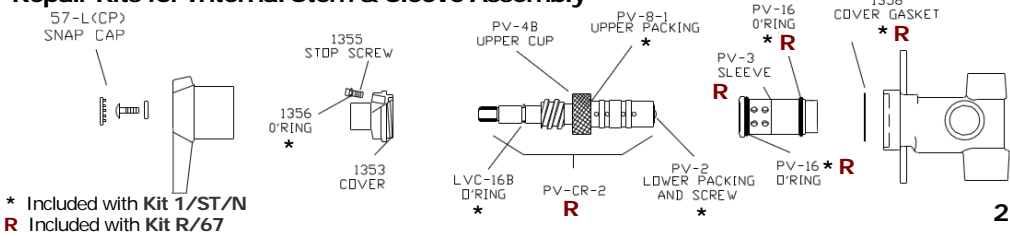
- 1/2" connections: inlets, top and bottom outlets. For tub and/or shower installations.
- Automatic pressure balanced and water shutdown to reduce water flow if supply fails.
- Adjustable high temp. limit stop set for 110° F.
- Integral combination checkstops on inlets.

Model	Description	Wgt. lbs.	Order No.
4500	<ul style="list-style-type: none"> <li>■ For showers &amp; tub/shower</li> <li>■ Four connections: 1/2"</li> <li>■ Minimum water flow: 1.5 gpm</li> <li>■ High temp limit set @ 110° F</li> </ul>	7.0	<a href="#">LN1140</a>
7600	<ul style="list-style-type: none"> <li>■ Generally used for showers</li> <li>■ Three connections: 1/2"</li> <li>■ Minimum water flow: 1.5 gpm</li> <li>■ High temp limit set @ 110° F</li> </ul>	7.0	<a href="#">LN1145</a>
4500 LR	<ul style="list-style-type: none"> <li>■ Same specifications as 4500</li> <li>■ <u>Not</u> ADA compliant</li> <li>■ Ligature resistant handle</li> <li>■ Includes vandal resistant screws</li> </ul>	7.0	<a href="#">LN1147</a>

## Shower Valve Repair Parts

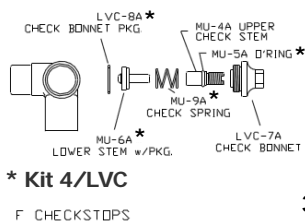


### Repair Kits for Internal Stem & Sleeve Assembly



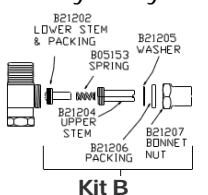
\* Included with Kit 1/ST/N  
R Included with Kit R/67

### Check Stop Valve Repair Kits: Determine your style of valve and select desired Repair Kit



\* Kit 4/LVC  
F CHECKSTOPS

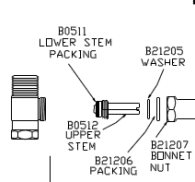
3.



Kit B

4.

SB,TB CHECKSTOPS



Kit C

5.

S STOPS

Repair Parts & Kits	Order No.
1. MU-5D Handle Kit for 4500	<a href="#">LN2150</a>
2. Kit 1/ST/N Stem and Sleeve Kit	<a href="#">LN2016</a>
2. Kit R/67 Stem & Sleeve Kit	<a href="#">LN2015</a>
3. Kit 4/LVC, Check Stop Valve Repair Kit	<a href="#">LN2036</a>
4. Kit B, Check Stop Valve Repair Kit	<a href="#">LN2150</a>
5. Kit C, Check Stop Valve Repair Kit	<a href="#">LN2155</a>

# Powers Thermostatic Mixing Valves

## Powers LFMM430 Series of Master High-Low Mixing Valves



### Powers LFMM430 Features & Benefits

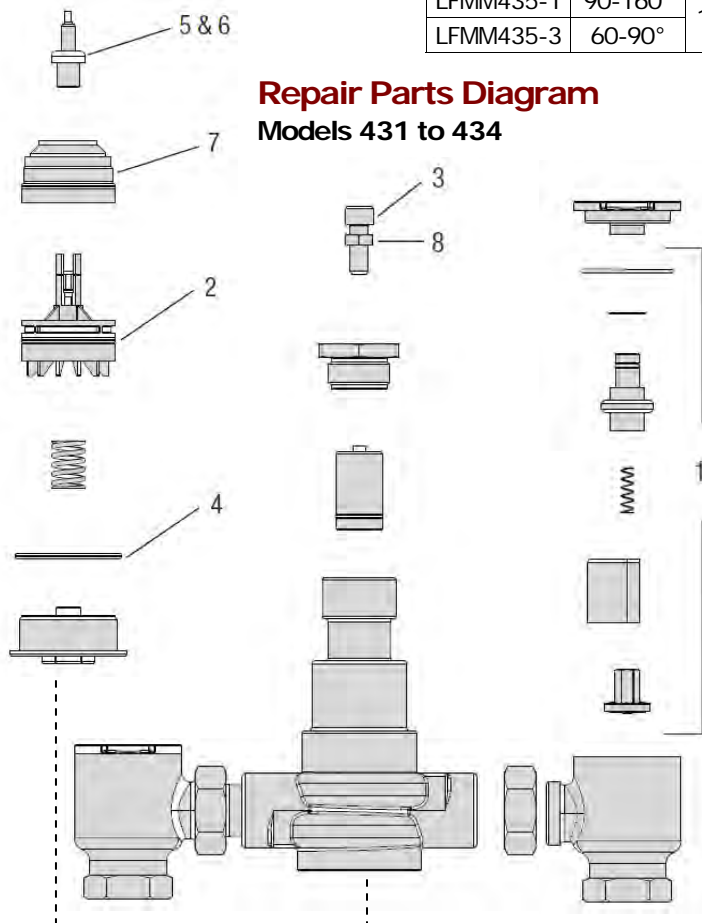
Certified lead-free, high capacity, high-low master mixing valves to serve multiple locations of showers, faucets and related equipment.

- IAPMO certified per ASSE 1017; CSA B125. Lead free brass body.
- Vandal resistant temperature locking mechanism.
- Integral inlet strainers and rotatable union check valves.
- Cold or hot water supply failure shut-off protection.
- **Standard** temperature range for outlet: **90° to 160 F.**
- **Low** temperature range for outlet: **60° to 90 F.**
- Max. operating pressure: 150 psi; Maximum working temp: 180°.
- Minimum flow rate @ 0.50 gpm with continuous operating pump.

These water temperature mixing valves cannot be used to temper water at the fixtures. These LFMM 430 series valves are designed to be used at or near the source of domestic hot water. They are not designed to compensate for system pressure fluctuations and should not be used where ASSE standard 1016, 1069 or 1070 devices are required.

Rough brass finish standard. Call for optional chrome plated finish.

Model No.	Adjust Temp Range F.	Min. Flow GPM	Pipe Size IN x OUT	GPM Flow @ PSI differential						Wgt. lbs.	Order No.
				5 psi	10	20	30	45	60		
LFMM431-1	90-160°	3.0	¾ x ¾"	14	20	28	35	42	49	10.5	PY1399A
LFMM431-3	60-90°										PY1399K
LFMM432-1	90-160°	4.0	¾ x 1"	21	30	42	52	64	74	11.0	PY1399B
LFMM432-3	60-90°										PY1399M
LFMM433-1	90-160°	5.0	1¼ x 1¼"	37	52	74	90	110	127	21.0	PY1399C
LFMM433-3	60-90°										PY1399N
LFMM434-1	90-160°	7.0	1¼ x 1½"	48	68	96	118	144	167	22.5	PY1399D
LFMM434-3	60-90°										PY1399P
LFMM435-1	90-160°	10.0	2 x 2"	69	98	139	170	208	240	29.5	PY1399R
LFMM435-3	60-90°										PY1399T



### Repair Parts Diagram Models 431 to 434

### Repair Parts for LFMM-431 through -434

Item	Description	431/432	433/434
1	Checkstop Rebuild Kit	PY1101	PY1101P
2	Plunger Kit	PY1101A	PY1102
3	Adjusting Screw	PY1101C	
4	O-Ring	PY1101E	PY1102A
5	Actuator, 90-160° F	PY1101H	PY1102C
6	Actuator, 60-90° F	PY1101K	PY1102E
7	Funnel Kit	PY1101M	PY1102H
8	Locknut	PY1101N	

### Repair Parts for LFMM-435

Item	Description	435
1	Checkstop Rebuild Kit	PY1102K
2	Plunger Kit	PY1102M
3	O-Ring	PY1102N
4	Actuator, 90-160° F	PY1102P
5	Actuator, 60-90° F	PY1102R
6	Funnel Kit	PY1102T
7	Adjusting Screw	PY1101C
8	Locknut	PY1101N

Repair parts for the **Model 435** may look different than those shown in the related diagram, but the same repair attributes apply.

# Powers Thermostatic Mixing Valves

## Powers LFSH1430 Low Flow Master High-Low Mixing Valves



### Accurate Low-Flow Control of your application

Certified lead-free, high capacity, high-low master mixing valves to serve multiple locations of showers, faucets and related equipment.

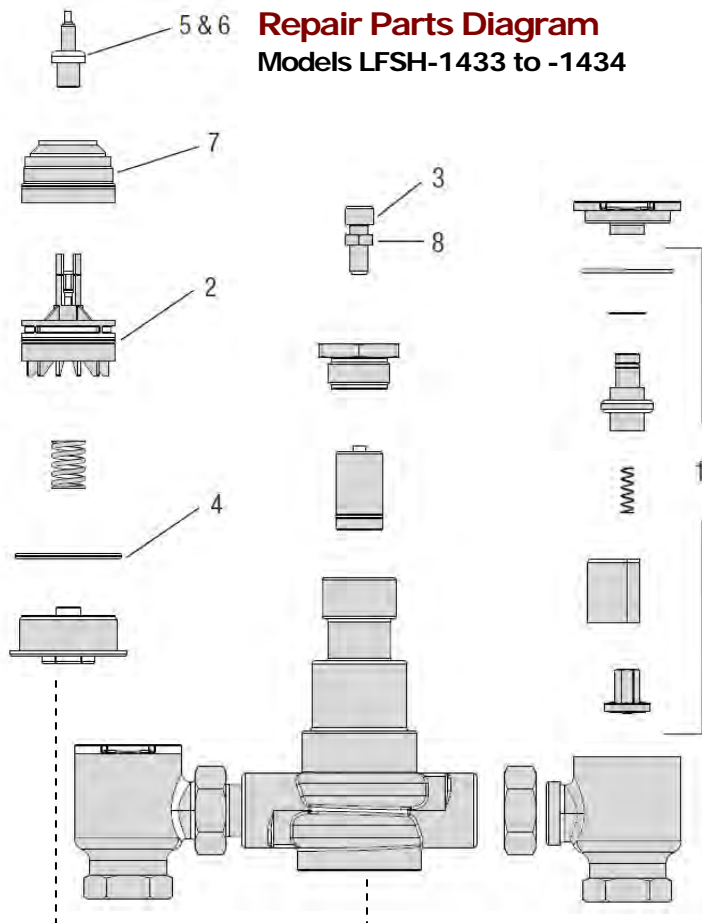
- Unassisted Low-Flow control down to 1.0 gpm.
- IAPMO certified per ASSE 1017; CSA B125. Lead free brass body.
- Integral inlet strainers and rotatable union triple-duty check stops.
- Cold or hot water supply failure shut-off protection.
- **Standard** temperature range for outlet: **90° to 160 F.**
- **Low** temperature range for outlet: **60° to 90 F.**
- Max. operating pressure: 150 psi; Maximum working temp: 180°.
- Minimum flow rate @ 0.50 gpm with continuous operating pump.
- Rough brass finish standard. Call for optional chrome plated finish.

### HydroGuard XP Mixing Valves Delivers "Low Flow" tempered water unassisted down to 1.0 GPM.

These LFSH1430 series valves are designed to be used at or near the boiler or water heater. They are not designed to compensate for system pressure fluctuations and should not be used where ASSE standard 1016, 1069 or 1070 devices are required.

Model No.	Adjust Temp Range F.	Min. Flow GPM	Pipe Size IN x OUT	GPM Flow @ PSI differential						Wgt. lbs.	Order No.
				5 psi	10	20	30	45	60		
LFSH1432-1	90-160°	1.0	¾ x 1"	19	27	38	47	57	66	11.0	PY1313
LFSH1432-3	60-90°										PY1313A
LFSH1434-1	90-160°	1.0	1¼ x 1½"	42	60	85	104	127	147	22.5	PY1314
LFSH1434-3	60-90°										PY1314A
LFSH1435-1	90-160°	5.0	1½" x 2"	67	95	134	164	201	232	25.0	PY1315
LFSH1435-3	60-90°										PY1315A

### Repair Parts Diagram Models LFSH-1433 to -1434



### Repair Parts for LFSH-1432 and -1434

Item	Description	LFSH-1432	LFSH-1434
1	Checkstop Rebuild Kit	PY1101	PY1101P
2	Plunger Kit	PY1101A	PY1102
3	Adjusting Screw	PY1101C	
4	O-Ring	PY1101E	PY1102A
5	Actuator, 90-160° F	PY1101H	PY1102C
6	Actuator, 60-90° F	PY1101K	PY1102E
7	Funnel Kit	PY1103	PY1103A
8	Locknut	PY1101N	

### Repair Parts for LFSH-1435

Item	Description	LFSH-1435
1	Checkstop Rebuild Kit	PY1102K
2	Plunger Kit	PY1102M
3	O-Ring	PY1102N
4	Actuator, 90-160° F	PY1102P
5	Actuator, 60-90° F	PY1102R
6	Funnel Kit	PY1103C
7	Adjusting Screw	PY1101C
8	Locknut	PY1101N

Repair parts for the Model 1435 may look different than those shown in the related diagram, but the same repair attributes apply.

These LFSH1430 models share the same repair parts as the LFMM430 models, except for the funnel kit.

# Powers Thermostatic Mixing Valves

## Powers Mixing Valves for Point-of-Use or Point-of-Source



Designed for applications to control the connected fixtures final water temperature and prevent possible injuries from pressure or temperature fluctuations. Often used on gang showers, sitz baths and metering or on/off showers.

### Powers LFLM495, 496 & 497 Features & Benefits

Designed for point-of-use for individual and multiple lavatory applications where the temperature of hot water must be safe. The unit quickly senses and compensates for outlet temperature fluctuations induced by supply line pressure/temp. changes.

- IAPMO certified per ASSE 1069, 1070 and 1017. Lead free brass body.
- Vandal resistant temperature locking mechanism prevents unwanted adjustments.
- Point-of-Use adjustable temperatures by owner or installer. Integral check valves.
- Adjustable temperature range for outlet: 80° to 120 F.
- Redundant system unit to prevent possible hot water related injuries.
- Max. operating pressure: 125 psi; Maximum water temp: 200°.
- Minimum flow rate @ 0.50 gpm with continuous operating pump.

Model No.	Connection	Pipe Size	GPM Flow @ PSI differential						Wgt. lbs.	Order No.
			5 psi	10	20	30	45	60		
LFLM495-1	Female NPT	½"	4.0	5.7	8.0	9.8	12.0	13.9	2.2	<a href="#">PY1318A</a>
LFLM496-1		¾"							2.5	<a href="#">PY1318C</a>
LFLM497-1		1"							2.9	<a href="#">PY1318E</a>
LFLM495-2	Sweat	½"							2.0	<a href="#">PY1318G</a>
LFLM496-2		¾"							2.3	<a href="#">PY1318H</a>
LFLM497-2		1"							2.6	<a href="#">PY1318K</a>
LFLM495-4	PEX	½"							2.0	<a href="#">PY1318M</a>
LFLM496-4		¾"							2.3	<a href="#">PY1318N</a>
LFLM497-4		1"							2.6	<a href="#">PY1318P</a>

## Powers LFLM490, 491 & 492 Point-of-Source Mixing Valves



Designed for Point-of-Source applications to control the water temperature coming from the water heater or related source of heated domestic potable water.

### Powers LFLM490, -491 & -492 Features & Benefits

Ideal for hot water heater installations, providing flow rates as high as 23 GPM. Compact design and lead free brass construction. Unique handle mechanism allows for exact temperature selection to be securely "locked in" to prevent unwanted changes.

- IAPMO certified per ASSE 1017, point-of-source. Lead free brass body.
- Vandal resistant temperature locking mechanism.
- Higher GPM capacity than the LFLM495 models. Integral check valves.
- Adjustable temperature range for outlet: **Select 90° to 160° or 60° to 120° F.**
- Redundant system unit to prevent possible hot water related injuries.
- Max. operating pressure: 125 psi; Maximum water temp: 200°.
- Minimum flow rate @ 0.50 gpm with continuous operating pump.

Series No.	Connect	Pipe Size	GPM Flow @ PSI differential						Wgt.	Order No. 90-160° F	Order No. 60-120° F
			5	10	20	30	45	60			
LFLM490	Female Union NPT	½"	7.6	11.0	15.0	19.0	23.0	27.0	2.2	<a href="#">PY1318</a>	<a href="#">PY1319M</a>
LFLM491		¾"							2.5	<a href="#">PY1318R</a>	<a href="#">PY1319N</a>
LFLM492		1"							2.9	<a href="#">PY1318T</a>	<a href="#">PY1319P</a>
LFLM490	Sweat	½"							2.0	<a href="#">PY1319</a>	<a href="#">PY1319R</a>
LFLM491		¾"							2.3	<a href="#">PY1319A</a>	<a href="#">PY1319T</a>
LFLM492		1"							2.6	<a href="#">PY1319C</a>	<a href="#">PY1319V</a>
LFLM490	PEX	½"							2.0	<a href="#">PY1319E</a>	<a href="#">PY1319W</a>
LFLM491		¾"							2.3	<a href="#">PY1319H</a>	<a href="#">PY1319X</a>
LFLM492		1"							2.6	<a href="#">PY1319K</a>	<a href="#">PY1319Y</a>



# Powers Thermostatic Mixing Valves

## Powers LFe480 Single-Use Thermostatic Mixing Valves



### Powers LFe480 Features & Benefits

Designed for single use, low-flow control of lavatory faucet applications where the temperature of hot water must be safe. The unit quickly senses and compensates for outlet temperature fluctuations induced by supply line pressure/temp. changes.

- IAPMO certified per ASSE 1070. Temperature limiting control at point-of-use.
- Vandal resistant temperature locking mechanism prevents unwanted adjustments.
- Point-of-Use adjustable temperatures by owner or installer. Integral check valves.
- Adjustable temperature range for outlet: 80° to 120 F.
- Redundant system prevents hot water related injuries and allows for low flow.
- Max. operating pressure: 125 psi; Maximum water temp: 200°.
- Minimum flow rate @ 0.50 gpm without pump assistance.

Most often used at point-of-use applications to control the connected fixtures final water temperature and prevent possible injuries from pressure or temperature fluctuations.

Model No.	Pipe Style	Pipe Size	Min. Flow GPM	GPM Flow @ PSI differential						Wgt. lbs.	Order No.
				5 psi	10	20	30	45	60		
LFe480-10	Compression	3/8"	0.50	1.0	1.9	2.6	3.2	4.0	4.6	1.0	<b>PY1316</b>
LFe480-00	NPT Pipe	1/2"		1.0	1.9	2.6	3.2	4.0	4.6	1.0	<b>PY1317</b>

## Powers LFE480 Thermostatic Motor Replacement

### Replacement Motor Instructions:

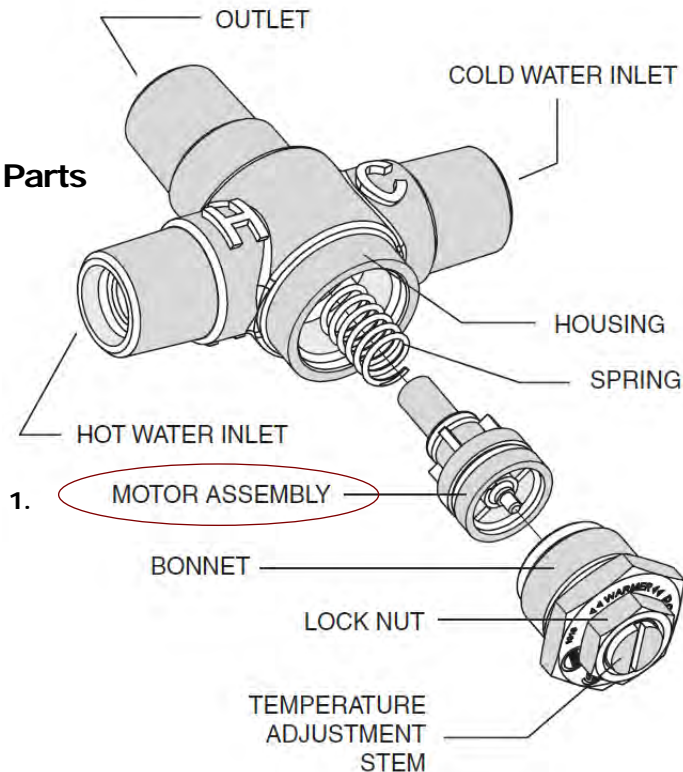
1. Turn off hot and cold water supplies.
2. Unscrew Bonnet and remove the top assembly.
3. Pull out the motor assembly, make sure spring stay inside the body.
4. Ensure the inside of the body is free of deposits and debris. Clean as necessary.
5. Insert the motor replacement kit into the body.
6. Screw Bonnet into the housing. Tighten it to 100 +/- 10 in-lbs.
7. Turn on the hot and cold water supplies. Check for leaks.
8. Turn on fixture and allow water to flow for 2 minutes. Measure water temperature at outlet. If water is not at the desired temperature, adjust as follows:

### Temperature Adjustment:

1. Loosen locknut.
2. Turn on fixture and run water for at least two minutes to allow supply temperature to stabilize.
3. Turn temperature adjustment stem counter-clockwise for hotter or clockwise for colder outlet temperature.
4. Tighten locknut to prevent accidental or unauthorized temperature adjustment.
5. Re-check outlet temperature.

Item	Repair Part	435
1	Thermostat Motor Assy., for all LFe models	<b>PY1191</b>

### Repair Parts Guide



# Powers Emergency Thermostatic Mixing Valves

## Thermostatic Mixing Valves for Emergency Wash Fixtures



### Powers ES and ETV Emergency Fixture Mixing Valves

Thermostatically blends hot and cold water to deliver tepid water to emergency fixtures, quickly compensating for temperature variations due to changes in inlet temperature or pressure. Internal bypass ensures ample cold-water flow in the event of loss of hot water. ASSE 1071 listed.

- IAPMO certified per ASSE 1071. Lead free brass body.
- Vandal resistant temperature locking secures temp. adjustments.
- Adjustable temperature range for outlet: 60° to 95 F.
- Exclusive internal cold water bypass ensures flow if hot water interrupted.
- Max. operating pressure: 125 psi; Maximum water temp: 180°.
- Maximum flow with cold water shutoff: 0.5 GPM.
- Each model includes outlet temperature gauge and check valve stops.

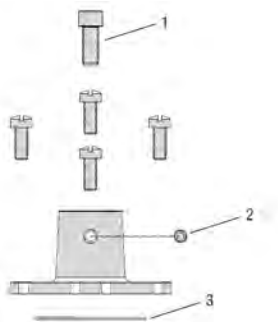
Each model shown here comes with an outlet temperature gauge and check valve stops.

For other product configurations please call for additional information.

Model No.	Pipe Size	Min. Flow GPM	GPM Flow @ PSI differential						Wgt. lbs.	Order No.
			5 psi	10	20	30	45	60		
ES150-11	½" x ½"	1.0	3.6	5.0	7.1	8.7	10.7	12.3	10.0	<b>PY1310</b>
ETV200-13	¾" x 1"	3.0	13.4	19.0	26.8	32.9	40.2	46.5	11.0	<b>PY1311</b>
ETV400-15	1¼" x 1½"	3.0	34.0	48.1	58.9	68.0	83.2	102.0	22.5	<b>PY1312</b>

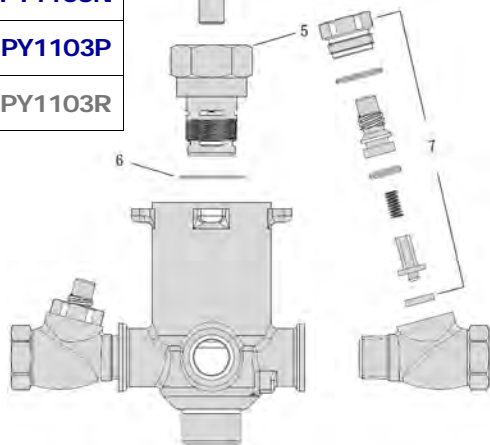
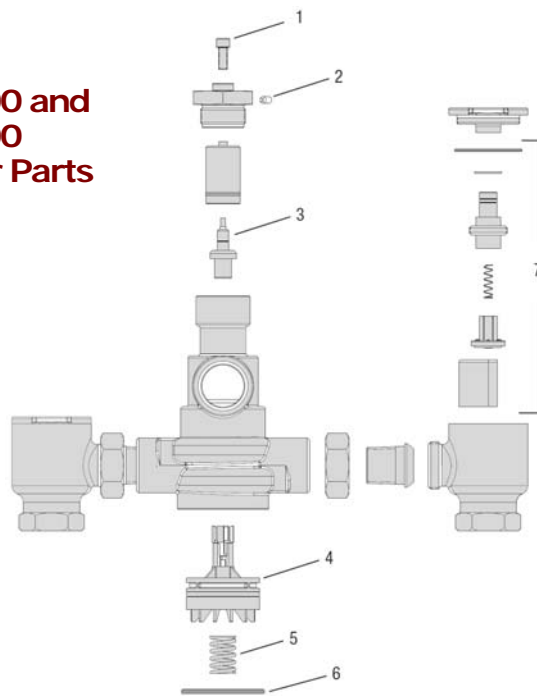
### ES150 Repair Parts

Item	Repair Part or Kit	ES150
1	Adjustment screw	<b>PY1103E</b>
2	Adjustment locking screw	<b>PY1103H</b>
3-4	Thermal actuator kit	<b>PY1103K</b>
3, 5	Cartridge kit	<b>PY1103M</b>
3, 6, 13	Spring Kit	<b>PY1103N</b>
7	Checkstop rep kit, Bronze	<b>PY1103P</b>
7	Checkstop rep kit, Chrome	<b>PY1103R</b>



### ETV200 and ETV400 Repair Parts

Item	Repair Part or Kit	ETV200	ETV400
1	Temperature adjustment screw	<b>PY1103T</b>	<b>PY1104H</b>
2	Adjustment locking screw	<b>PY1103V</b>	
3	Thermal actuator	<b>PY1103W</b>	<b>PY1104K</b>
4	Plunger kit	<b>PY1104</b>	<b>PY1104M</b>
5	Spring	<b>PY1104A</b>	<b>PY1104N</b>
6	O-ring	<b>PY1104C</b>	<b>PY1104P</b>
7	Checkstop rebuild kit	<b>PY1104E</b>	<b>PY1104R</b>



# Powers Thermostatic Mixing Valves

## Powers e427 and e428 Pressure & Temperature Shower Valves



Model E427 Valve

### Powers HydroGuard e427 and e428 Features & Benefits

These HydroGuard valves contain a pressure/temperature actuator that maintains the selected water temperature despite system fluctuations.

- IAPMO certified per ASSE 1016, CSA B125.1. Lead free brass body.
- Built-in shutoff valve for delivery water.
- Concealed adjustments for changing water temperature delivery.
- Standard adjustable temperature range: 90° to 110 F.
- 1/2" NPT connections; Max. flow rate: 14.0 GPM.
- Max. operating pressure: 125 psi; Maximum water temp: 200°.
- Minimum flow rate @ 2.5 GPM.
- Rough bronze valve on e427; Chrome plated valve on exposed e428.



Lead Free



Model E428 Valve Exposed

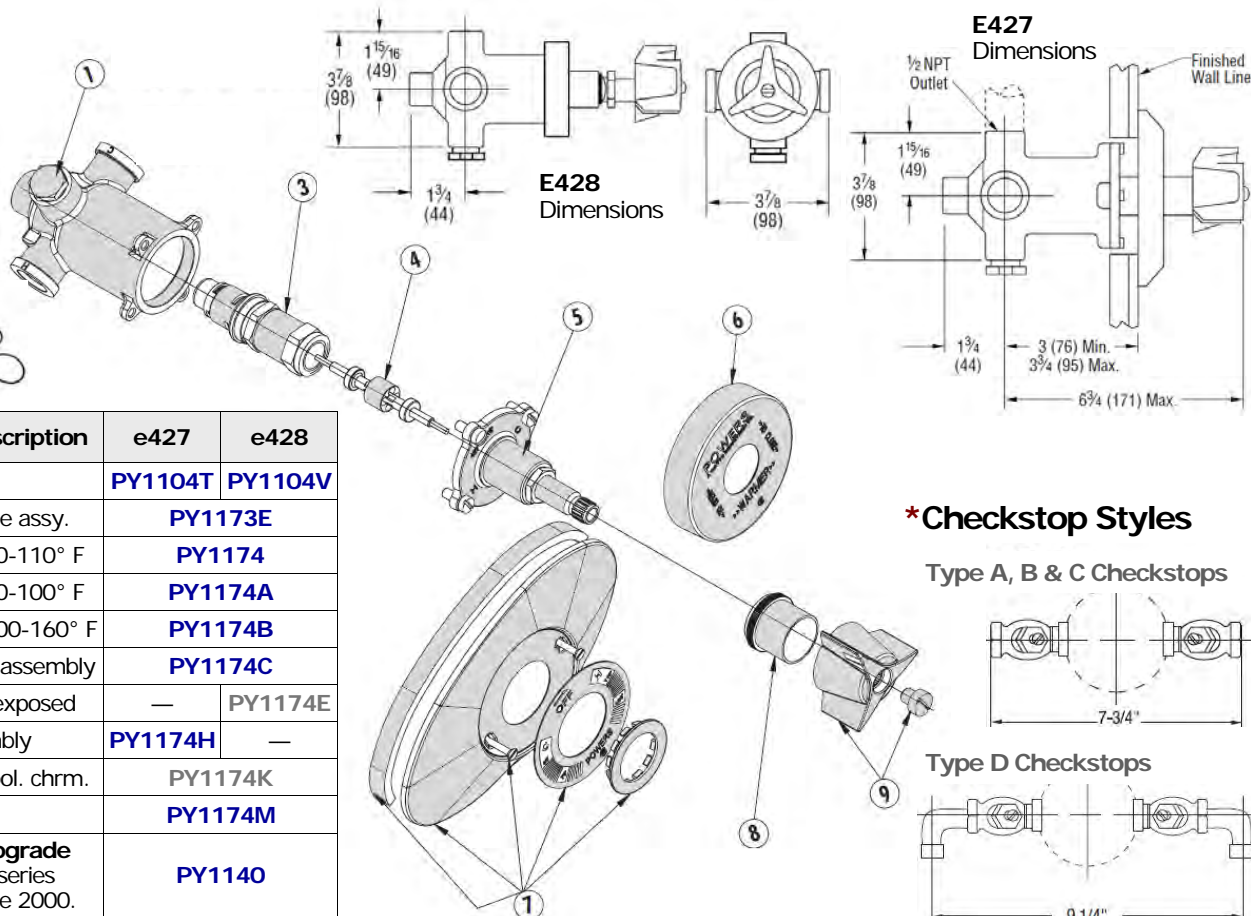
Model No.	Product description	Pipe Size	Wgt. lbs.	Order No.
<b>Valves Only</b>				
e427	Concealed Valve, e427 only	1/2" IPS	5.8	<a href="#">PY1320</a>
e428	Exposed Valve, e428 only	1/2" IPS	5.7	<a href="#">PY1322</a>
<b>*Checkstops, Sold in Pairs (not included with above valves) shipped loose.</b>				
e427/8-A	Concealed, straight, bronze finish	1/2" IPS	1.1	<a href="#">PY1324</a>
e427/8-B	Exposed, straight, Chrome plated	1/2" IPS	1.0	<a href="#">PY1326</a>
e427/8-C	Concealed, straight, bronze finish	1/2" sweat	1.1	<a href="#">PY1328</a>
e427/8-D	Concealed, angle, bronze finish	1/2" sweat	1.3	<a href="#">PY1330</a>
e427/8-E	Concealed, angle w/strainer, bronze finish	1/2" IPS	2.5	<a href="#">PY1332</a>
e427/8-F	Exposed, angle w/strainer, Chrome plated	1/2" IPS	2.4	<a href="#">PY1334</a>

### Repair Parts Guide

\*Upgrade Kit for valves made before 2000

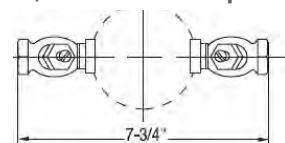


Item	Parts Description	e427	e428
1	1/2" plug	<a href="#">PY1104T</a>	<a href="#">PY1104V</a>
3	Kit, cartridge assy.	<a href="#">PY1173E</a>	
4	Actuator, 90-110° F	<a href="#">PY1174</a>	
	Actuator, 60-100° F	<a href="#">PY1174A</a>	
	Actuator, 100-160° F	<a href="#">PY1174B</a>	
5	Kit, bonnet assembly	<a href="#">PY1174C</a>	
6	Dual plate exposed	—	<a href="#">PY1174E</a>
7	Trim assembly	<a href="#">PY1174H</a>	—
8	Lock ring, pol. chrm.	<a href="#">PY1174K</a>	
9	Handle	<a href="#">PY1174M</a>	
*	420-451 upgrade kit for 420 series made before 2000.	<a href="#">PY1140</a>	

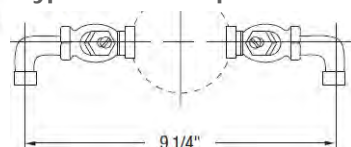


### \*Checkstop Styles

Type A, B & C Checkstops



Type D Checkstops



# Powers Thermostatic Mixing Valves

## Powers e700 Series Pressure & Temperature Shower/Tub Valves



### Model e707

With enhanced flat metal trim & metal handle



### Model e710

With standard metal trim and metal handle

**Heavy Cast Brass** valve supplied with all e700 models



### NEW Hydroguard e700 Valves at Good Prices!

These HydroGuard valves contain a pressure/temperature actuator that maintains the selected water temperature despite system fluctuations.

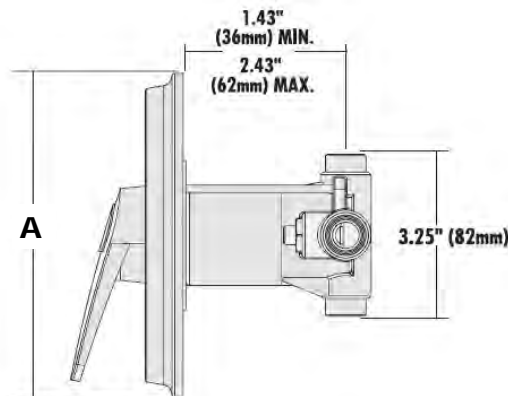
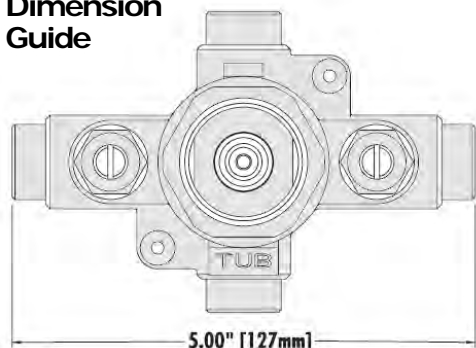
- IAPMO certified per ASSE 1016, CSA B125.1. Lead free brass body.
- Built-in, integral shutoff check valve for easy valve servicing & repair.
- Concealed adjustments for water temperature adjustment.
- Adjustable brass-to-brass high limit temperature stop.
- Back-to-back shallow wall installation capability.
- Cold water failure initiates automatic valve shut-off.
- Standard adjustable temperature range: 90° to 110 F.
- All e700 series valves and trim meet ADA requirements.
- 1/2" sweat connections; Max. flow rate: 4.0 GPM.
- Max. operating pressure: 125 psi; Max. water temp: 190°.
- Minimum flow rate @ 1.0 GPM. Five year warranty.

### Model e705



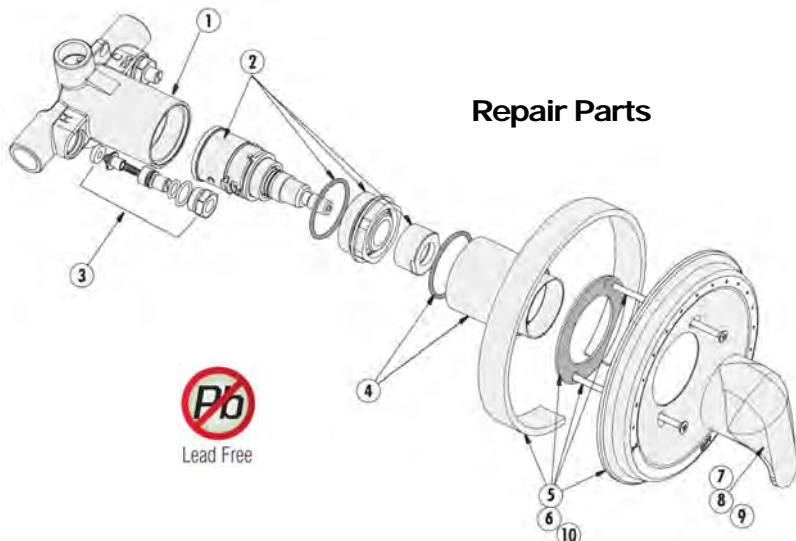
Model No.	Product description	Pipe Size	Wgt. lbs.	Order No.
<b>Valve &amp; Trim</b>				
e705	ABS plastic trim, ABS plastic handle	1/2" SWT	3.2	<a href="#">PY1336</a>
e707	Flat metal trim, metal handle		3.5	<a href="#">PY1337</a>
e710	Standard metal trim, metal handle		3.5	<a href="#">PY1338</a>

### Dimension Guide



Model	"A" Dimension
e705	6.5"
e707	8.5"
e710	6.5"

### Repair Parts



Item	Parts Description	Order No.
1	Valve body	NA
2	Cartridge kit	<a href="#">PY1003A</a>
3	Checkstop replacement kit	<a href="#">PY1308</a>
4	Sleeve kit	<a href="#">PY1003C</a>
5	Metal trim plate kit, std. (e710)	<a href="#">PY1003E</a>
6	ABS trim plate kit (e705)	<a href="#">PY1003G</a>
7	Metal handle kit (e710)	<a href="#">PY1003H</a>
8	ABS handle kit (e705)	<a href="#">PY1003K</a>
9	Dome handle kit (e707)	<a href="#">PY1003L</a>
10	Metal flat trim plate kit (e707)	<a href="#">PY1003M</a>

# Sloan Point-of-Use Mixing Valves

## Sloan Valve MIX-135-A Thermostatic Mixing Valve



Model  
MIX-135-A



Lead Free

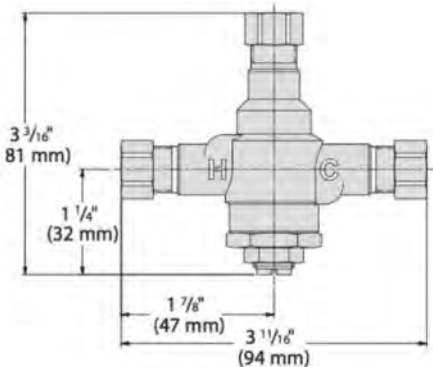
3/8" compression connection for tubing or hose

Sloan MIX-135-A lead free thermostatic mixing valves are used at the point-of-use, usually at the sensor-operated washing fixture. Connects to 3/8" flexible hose or 3/8" O.D. compression tubing. Used with one sensor operated faucet.

### Sloan Faucet Mixing Valve Features & Benefits:

- ASSE 1070; CSA-B125 certified for installation at point-of use or point-of-source.
- Installs between the stop valves and sensor operated faucets.
- Integral check valves and strainer screens on both hot & cold supply lines.
- Usually deployed to serve one washing fixture. Less than 0.025% lead.
- Factory set temperature: 105° F. Tamper-resistant cap.
- Hot supply temperature: 120-180° F. ■ Cold supply temperature: 39-85° F.
- Minimum flow rate: 0.50 gpm. ■ Maximum operating pressure: 125 psi.

### MIX-135-A Dimensions



Model No.	Description	GPM @ 45 psi	Wgt. lbs.	Order No.
MIX-135-A	Thermostatic mixing valve, 3/8" comp.	4.0	1.8	<a href="#">SN1154</a>
<b>Mechanically Operated Mixing Valve</b>				
MIX-60-A	Mechanical water mixing valve, 3/8" compression	0.5		<a href="#">SN1153</a>



Lead Free



**Sloan MIX-60-A mechanical mixing valve** is designed to use with a single sensor operated faucet. Equipped with integral check valves at both supply inlets, the lever dial allows for adjustment to the desired temperature. The dial is then locked in place via a lock screw. Brass construction with a polished chrome finish. 2.85 gpm @ 45 psi. Overall width: 2.75"

## Sloan Valve MIX-70-A Mixing Valve for Multiple Faucets

Serves up to 8 faucets

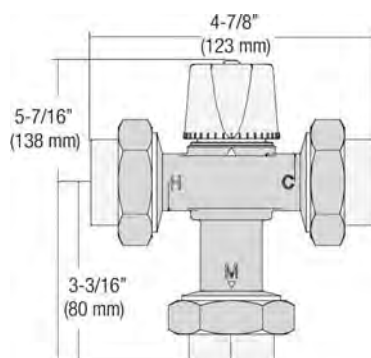


Lead Free

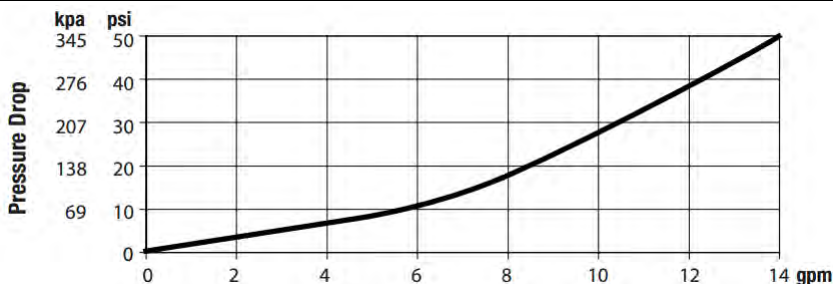
Sloan MIX-70-A is a lead free thermostatic mixing valve used near the point-of-use, to serve up to 8 faucets. 1/2" NPT threaded inlets with checkstops to prevent cross flow. Adjusting cap with locking feature. Used with sensor operated faucets.

### Sloan Faucet Mixing Valve Features & Benefits:

- ASSE 1070; CSA-B125 certified for installation at point-of use or point-of-source.
- Delivers up to 13 gpm of tempered water @ 45 psi.
- Integral check valves and strainer screens on both hot & cold supply lines.
- Certified low lead cast bronze, less than 0.025% lead on wetted parts.
- Adjustable outlet temperature range: 80-120° F. Tamper-resistant cap.
- Hot supply temperature: 120-180° F. ■ Cold supply temperature: 39-85° F.
- Minimum flow rate: 0.50 gpm. ■ Maximum operating pressure: 150 psi.



Model No.	Description	GPM @ 45 psi	Wgt. lbs.	Order No.
MIX-70-A	Thermostatic mixing valve, 1/2" NPT	13.0	4.2	<a href="#">SN1153A</a>



# Speakman Emergency Thermostatic Mixing Valves

## Speakman SE-350 Emergency Thermostatic Mixing Valve

For Multiple Fixtures:  
Delivers 40 GPM @ 30 psi



1" Female Pipe Inlets with checks, strainers & stops; x 1 1/4" Female Outlet

**Measurement:**

Center-to-center of inlets: 8.75 inches

Speakman SE-350 delivers 3 to 40 GPM @ 30 psi of tepid water. High temperature limit valve shuts-off hot water when exceeding 95° F. Cold water bypass opens upon hot water failure. SE-350 automatically blends water to a temperature of 85° F.

**Speakman se-350 Features and Specifications:**

- Primary paraffin-filled thermostat with high temperature limit stop set to 85° F.
- Valves hold a temperature within a range of ± 3° F.
- Cold water bypass valve opens if hot water fails; 28 GPM @ 30 psi.
- 1" FPT inlets; 1 1/4" FPT outlet with integral check valves and supply stops.
- Valve is water tested prior to shipment. Certified lead free @ 0.025% wetted parts.
- Rated and certified ASSE 1071, UPC low lead certified.
- Inlet hot water supply temperature: 120° to 140° F.
- Maximum water supply pressure: 125 psi. ■ Minimum Flow: 3.0 GPM.
- Tempered water temperature adjustment range: 65 to 90° F.

Model No.	Description	GPM Flow @ PSI drop					Wgt lbs	Order No.
		5 psi	10	20	30	45		
SE-350	Emergency Mix Valve	15	22	32	40.5	54	30	<b>SI 1050</b>
SE-356	Flush mounted S.S. cabinet for SE-350 valve. Stainless steel construction with stainless steel finish & hardware. Measures: 30" high x 26" wide x 6.5" depth.						50	<b>SI 1055</b>

## Speakman SE-362 Emergency Thermostatic Mixing Valve

Delivers up to 12 GPM @ 30 psi



**Certified ASSE 1071**

3/4" female pipe inlets. Each inlet has an integral water strainer, check valve & supply stop.

1" NPT female outlet.

**Measurement:**

From center-to-center of inlets: 7.0 inches

Speakman SE-362 delivers 3 to 12 GPM @ 30 psi of tepid water. High temperature limit valve shuts-off hot water when exceeding 95° F. Cold water bypass opens upon hot water failure. SE-362 automatically blends water to a temperature of 85° F.

**Speakman SE-362 Features and Specifications:**

- Primary thermostat with high temperature limit stop set to 85° F.
- Valves hold a temperature within a range of ± 3° F.
- Cold water bypass valve opens if hot water fails; 8 GPM maximum.
- 3/4" FPT inlets; 1" FPT outlet with integral check valves and supply stops.
- Valve is water tested prior to shipment. Certified lead free @ 0.025% wetted parts.
- Rated and certified ASSE 1071, UPC low lead certified.
- Inlet hot water supply temperature: 120° to 140° F.
- Inlet temperature, cold: 33-80° F.
- Maximum water supply pressure: 125 psi. ■ Minimum Flow: 3.0 GPM.
- Tempered water temperature adjustment range: 60 to 95° F.
- Check stops provide a positive shutoff when cold water supply fails.

Model	Description	GPM Flow @ PSI drop					Wgt lbs	Order No.
		5 psi	10	20	30	45		
SE-362	Emergency Mix Valve	4.9	6.9	9.8	12	14.7	20	<b>SI 1060</b>
SE-366	Flush mounted S.S. cabinet for SE-362 valve. Stainless steel construction with stainless steel finish & hardware. Measures: 26" high x 26" wide x 6.5" depth.						40	<b>SI 1065</b>

Need repair parts for your Speakman Emergency Tempering Valves? Call 800.772.2099

# Speakman Emergency Thermostatic Mixing Valves

## Speakman SE-370 Emergency Tempering Valve for Single Fixture

Delivers 7 GPM @ 30 psi



1/2" Female Pipe Inlets with checks, strainers & stops; x 1/2" Female Outlet

**Measurement:**

Center-to-center of inlets: 5.0 inches as shown. Adjustable configuration.

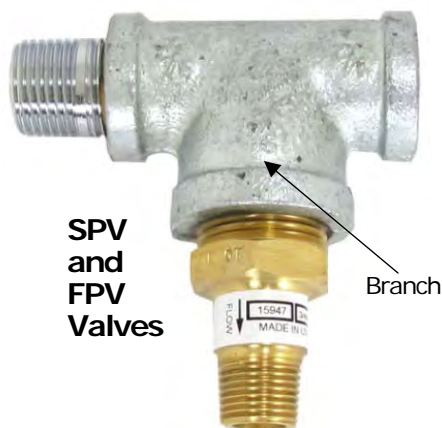
Speakman SE-370 delivers 1.5 to 7 GPM @ 30 psi of tepid water. For use with a single emergency wash fixture. Cold water bypass opens upon hot water failure. SE-370 automatically blends water to a tepid temperature of 85° F.

**Speakman SE-370 Features and Specifications:**

- Thermostat with high temperature limit stop factory set to 85° F. Field adjustable.
- Valves hold a temperature within a range of ± 3° F.
- Cold water bypass valve opens if hot water fails; 5 GPM @ 30 psi.
- 1/2" FPT inlets; 1/2" FPT outlet with integral check valves and supply stops.
- Valve is water tested prior to shipment. Certified lead free @ 0.025% wetted parts.
- Rated and certified ASSE 1071. ■ Valve shutdown on loss of cold water.
- Inlet hot water supply temperature: 120° to 140° F.
- Maximum water supply pressure: 125 psi. ■ Minimum Flow: 1.5 GPM.
- Tempered water temperature adjustment range: 65 to 90° F.

Model No.	Description	GPM Flow @ PSI drop					Wgt lbs	Order No.
		5 psi	10	20	30	45		
SE-370	Emergency Mix Valve	3	4	6	7.3	9	10	<b>SI 1070</b>
SE-376	Flush mounted S.S. cabinet for SE-370 valve. Stainless steel construction with stainless steel finish & hardware. Measures: 14.5" high x 13" wide x 6.5" depth.						25	<b>SI 1075</b>

## Speakman Freeze-Protection and Scald-Protection Valves

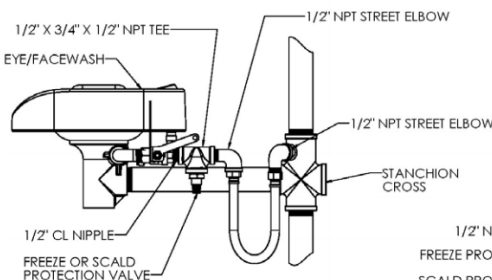


These SPV and FPV protection valves detect changes in the supply environment and protect your emergency shower and eye wash equipment and users from both damage and physical injury. Each model features a brass body inserted into a 1/2" (straight through) x 3/4" (branch) galvanized tee. The brass body of the protection component is resistant to corrosion.

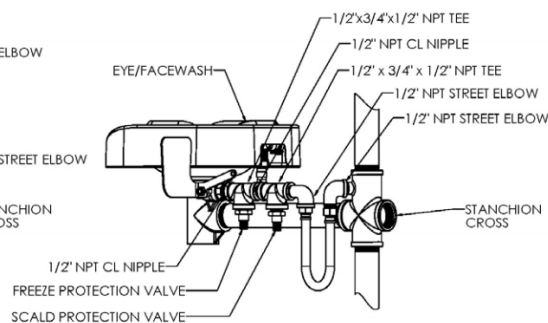
Speakman SPV (scald) and FPV (freeze) protection valves are engineered to regulate water pressure when temperature rises above, or falls from a specific level.

- SPV scald-protection valves activate at temperatures above 95° F;
- FPV freeze-protection valves activate at temperatures below 40° F.

WITH ONE TYPE PROTECTION VALVE



WITH BOTH PROTECTION VALVES



Model	Description	Wgt lbs	Order No.
SPV	Scald-Protection Valve: Activates at 95° F	4.0	<b>SI 1080</b>
FPV	Freeze-Protection Valve: Activates at 40° F	4.0	<b>SI 1085</b>

Need repair parts for your Speakman Emergency Tempering Valves? Call 800.772.2099

# Symmons 7 Series Thermostatic Mixing Valves

## Symmons 7-102 Thermostatic Mixing Valve & Repair Parts

### Features and Benefits

#### Complete Mixing Valve and Cartridge:

- Pipe inlet & outlet size, 1/2" female NPT.
- Temperature control range: 70° to 150° F.
- 5-year warranty on commercial applications.
- Adjustable range within 5° of ambient water temperature.
- ASSE 1017 and CSA standard B.125.3 approved.
- Tamper resistant hex bolt and safety lock.
- Lead free brass, bronze and stainless steel components.
- The entire valve control mechanism is housed in a replaceable cartridge, thereby ensuring that the valve body never need be removed from the pipe line.



Model	Description	Wgt.	Order No.
7-102 Valve	1/2" NPT connections. Nickel finish. Includes wall mounting bracket. ASSE 1017 compliant. Adj. 70° to 150° F.		<b>SX1295</b>
7-102NW Cartridge	Operating cartridge also repairs old 6-102 and 5-102 valves.		<b>SX1400</b>

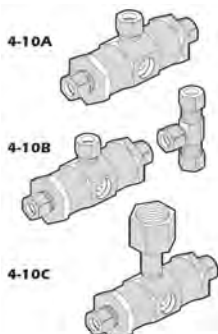
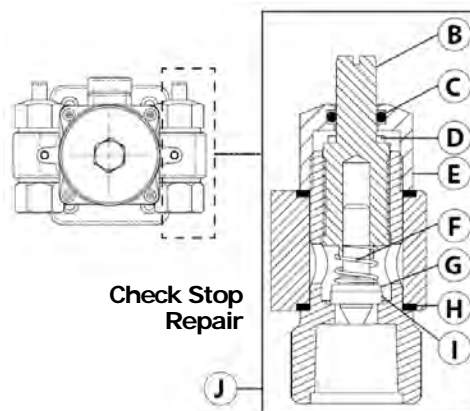
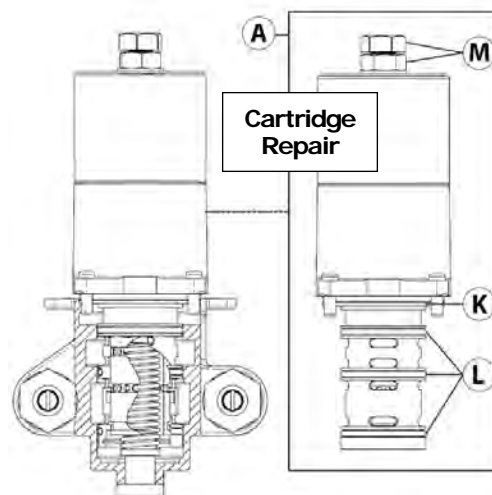
### Flow Capacities in GPM

Pressure Drop, PSI	MIN Flow	5	10	20	30	45
7-102 Flow, GPM	0.50	1	3	6	8	11

Model 7-102 mixing valves are available with a variety of options and modifications. Call 800.772.2099 for more information, or click on the "Order No." to view detailed documentation.

### Repair Parts Guide

Item	Repairs for Model 7-102	Wgt. lbs.	Order No.
A	Thermostatic Cartridge Assembly	5.2	<b>SX1400</b>
B	Check stop spindle	0.3	<b>SY1208</b>
C	O-Ring	0.1	<b>SY1189</b>
D	Washer	0.1	<b>SY1204</b>
E	Check stop cap	1.0	<b>SY1201</b>
F	Check spring	0.1	<b>SY1207</b>
G	Check assembly	0.5	<b>SY1206</b>
H	Gaskets, two each	0.1	<b>SY1190</b>
I	Check stop washer	0.1	<b>SY1205</b>
J	Check stop body with stop seat	3.0	<b>SY1200</b>
K	Casing gasket	0.1	<b>SY1076B</b>
L	Sleeve O-rings, three each	0.1	<b>SY1077B</b>
M	Temperature control nut & bolt	0.3	<b>SY1210</b>



### Mechanical Mixing Valves

Model	Description	Wgt.	Order No.
4-10A	Tempered water to single supply faucet, 3/8" compression.	1.0	<b>SX1195A</b>
4-10B	Tempered water to the hot inlet of a two supply faucet, 3/8" compression.	1.1	<b>SX1195C</b>
4-10C	Tempered water to single supply faucet, 3/8" comp. x 1/2" female pipe.	1.3	<b>SX1195</b>



# Symmons 7 Series Thermostatic Mixing Valves

## Symmons 7-200, -400, -500 & -700 Mixing Valves & Repair Parts

### Features and Benefits

#### Complete Mixing Valve and Cartridge:

- Pipe inlet & outlet size, female NPT. See chart below.
- Temperature control range: 70° to 150° F.
- Tamper resistant hex bolt.
- Adjustable range within 5° of ambient water temperature.
- ASSE 1017 and CSA standard B.125.3 approved.
- Lead free @ less than 0.025%. Other components stainless steel or lead-free inert materials.
- The entire valve control mechanism is housed in a replaceable cartridge, thereby ensuring that the valve body never need be removed from the pipe line.



### Flow Capacities in GPM

Pressure Drop, PSI	*MIN Flow	5	10	20	30	45
7-200 flow, GPM	5	7	12	18	23	27
7-400 flow, GPM	9	18	27	37	44	53
7-500 flow, GPM	13	22	38	50	59	70
7-700 flow, GPM	13	25	43	57	66	77

\*Minimum flow as low as 0.50 gpm when used with continuous circulating pump. Also available with a variety of options and modifications. Click on the "Order No." to view detailed product documentation.

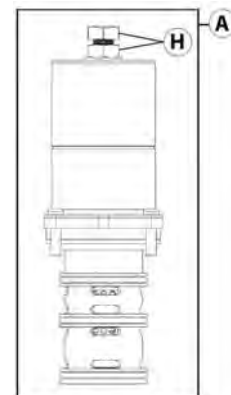
Model	Description	Wgt.	Order No.
7-200 Valve	¾" NPT connections. ASSE 1017 compliant, lead free. 70° to 150° F.	10.1	<a href="#">SX1300</a>
7-200NW Cartridge	Operating cartridge also repairs old 6-200 and 5-200 mixing valves.	5.2	<a href="#">SX1420</a>
7-400 Valve	¾" IN x 1" OUT NPT connections. Lead free compliant. 70° to 150° F.	16.0	<a href="#">SX1310</a>
7-400NW Cartridge	Operating cartridge also repairs old 6-400 and 5-400 mixing valves.	6.1	<a href="#">SX1430</a>
7-500 Valve	1" IN x 1¼" OUT NPT connections. Lead free compliant. 70° to 150° F.	18.5	<a href="#">SX1320</a>
7-500NW Cartridge	Operating cartridge also repairs old 6-500 and 5-500 mixing valves.	6.2	<a href="#">SX1440</a>
7-700 Valve	1¼" IN x 1½" OUT NPT connections. Lead free compliant. 70° to 150° F.	16.9	<a href="#">SX1330</a>
7-700NW Cartridge	Operating cartridge also repairs old 6-700 and 5-200 mixing valves.	9.1	<a href="#">SX1450</a>

The above valves are available with an optional wall mounting bracket. Please call for more details: 800.772.2099.

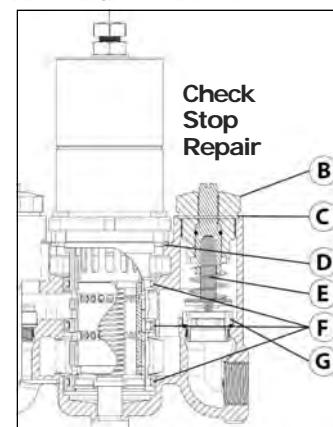
### Repair Parts Guide

Item	Repairs for 7-200 to 7-700	Order No.	Item	Repairs for 7-200 to 7-700	Order No.
A	Cartridge Assembly	See above	E	Check spindles & springs (2) for 7-200	<a href="#">SY1232</a>
B	Complete stop assembly for 7-200	<a href="#">SY1091A</a>		Check spindles & springs (2) for 7-400	<a href="#">SY1234</a>
	Complete stop assembly for 7-400	<a href="#">SY1091B</a>		Check spindles & springs (2) for 7-500	<a href="#">SY1236</a>
	Complete stop assembly for 7-500	<a href="#">SY1091C</a>		Check spindles & springs (2) for 7-700	<a href="#">SY1238</a>
C	Complete stop assembly for 7-700	<a href="#">SY1091D</a>	F	Sleeve O-rings (3) for 7-200	<a href="#">SY1077B</a>
	Cap gaskets (2 ea.) for 7-200	<a href="#">SY1083B</a>		Sleeve O-rings (3) for 7-400/500/700	<a href="#">SY1077C</a>
	Cap gaskets for (2 ea.) 7-400	<a href="#">SY1083C</a>	G	Check seats (2 ea.) for 7-200	<a href="#">SY1088A</a>
	Cap gaskets for (2 ea.) 7-500	<a href="#">SY1083D</a>		Check seats (2 ea.) for 7-400	<a href="#">SY1088B</a>
Cap gaskets for (2 ea.) 7-700	<a href="#">SY1083E</a>	Check seats (2 ea.) for 7-500		<a href="#">SY1088C</a>	
D	Casing gasket for 7-200	<a href="#">SY1076B</a>	Check seats (2 ea.) for 7-700	<a href="#">SY1088D</a>	
	Casing gasket for 7-400/500/700	<a href="#">SY1076C</a>	H	Temp. control nut & bolt: All models	<a href="#">SY1210</a>

### Parts Diagram



Cartridge Assembly



Check Stop Repair

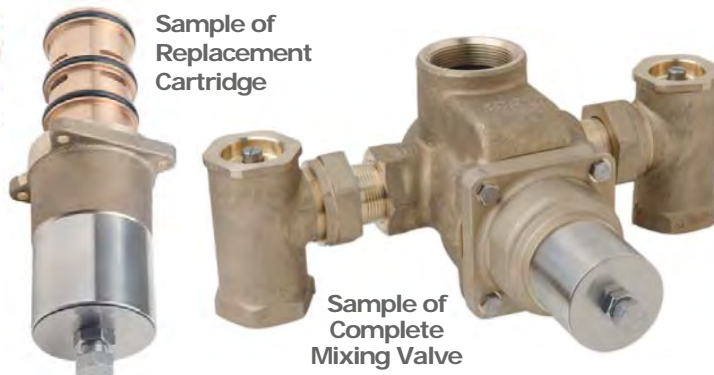
# Symmons 7 Series Thermostatic Mixing Valves

## Symmons 7-900 and 7-1000 Mixing Valves & Repair Parts

### Features and Benefits

#### Complete Mixing Valve and Cartridge:

- Pipe inlet & outlet size, female pipe - See chart below.
- Temperature control range: 70° to 150° F.
- 5-year warranty on commercial applications.
- Adjustable range within 5° of ambient water temperature.
- ASSE 1017 and CSA standard B.125.3 approved.
- Tamper resistant hex bolt and safety lock.
- Lead free brass, bronze and stainless steel components.
- The entire valve control mechanism is housed in a replaceable cartridge, thereby ensuring that the valve body never need be removed from the pipe line.



Model	Description	Wgt.	Order No.
7-900 Valve	1½" NPT connections, IN and OUT. Adjustable 70° to 150° F.	24.8	<a href="#">SX1340</a>
7-900NW Cartridge	Operating cartridge also repairs old 6-900 and 5-900 mixing valves.	9.5	<a href="#">SX1460</a>
7-1000 Valve	1½" inlet x 2" outlet, NPT connections Adjustable 70° to 150° F.	28.4	<a href="#">SX1350</a>
7-1000NW Cartridge	Operating cartridge also repairs old 6-1000 and 5-1000 mixing valves.	9.5	<a href="#">SX1470</a>

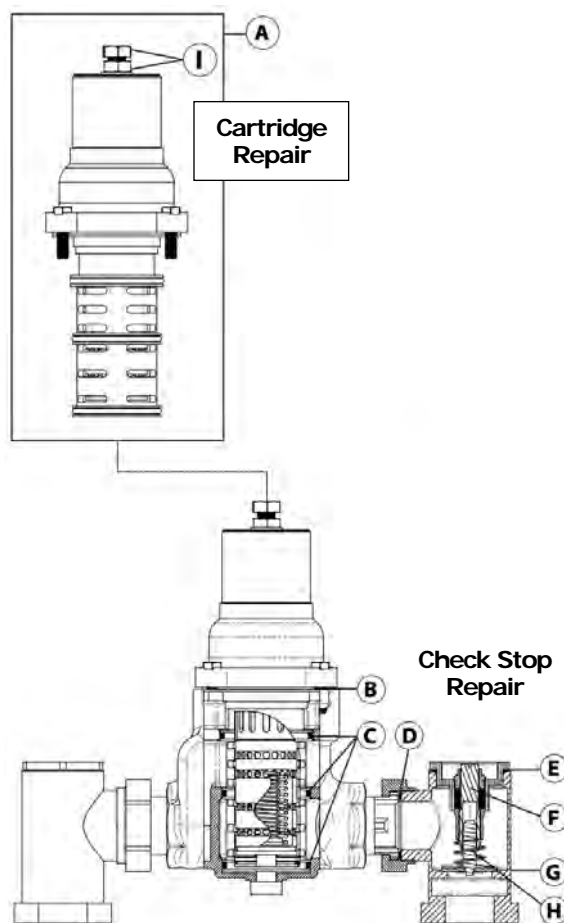
### Flow Capacities in GPM

Pressure Drop, PSI	MIN Flow	Flow Capacity (GPM)				
		5	10	20	30	45
7-900 Flow, GPM	5	37	67	94	112	131
7-1000 Flow, GPM	5	45	79	118	143	167

\*Minimum flow as low as 0.50 gpm when used with continuous circulating pump. Call 800.772.2099 for more information, or click on the "Order No." to view detailed documentation.

### Repair Parts Guide

Item	Repairs 7-900 and 7-1000	Wgt.	Order No.
A	Thermostatic Cartridge Assembly		See above
B	Casing gasket for both 7-900, 1000	0.1	<a href="#">SY1076G</a>
C	Sleeve O-rings, 3 ea. for both	0.1	<a href="#">SY1077G</a>
D	Gasket between stops for both	0.1	<a href="#">SY1090</a>
E	Cap gasket for 7-900	0.1	<a href="#">SY1083F</a>
	Cap gasket for 7-1000	0.1	<a href="#">SY1083G</a>
F	Stop spindle for 7-900	0.3	<a href="#">SY1084A</a>
	Stop spindle for 7-1000	0.3	<a href="#">SY1084B</a>
G	Complete stop valve for 7-900	7.5	<a href="#">SY1089A</a>
	Complete stop valve for 7-1000	7.5	<a href="#">SY1089C</a>
H	Check spindle & spring for 7-900	0.3	<a href="#">SY1242</a>
	Check spindle & spring for 7-1000	0.3	<a href="#">SY1240</a>
I	Temp. control nut & bolt for all	0.3	<a href="#">SY1210</a>



# Symmons Point-of-Use Thermostatic Mixing Valves

## Symmons 7-2xx Series Point-of-Use Mixing Valves



Model 7-210 shown  
Compression connections.



Also available with Pex, female & male, and sweat pipe connections

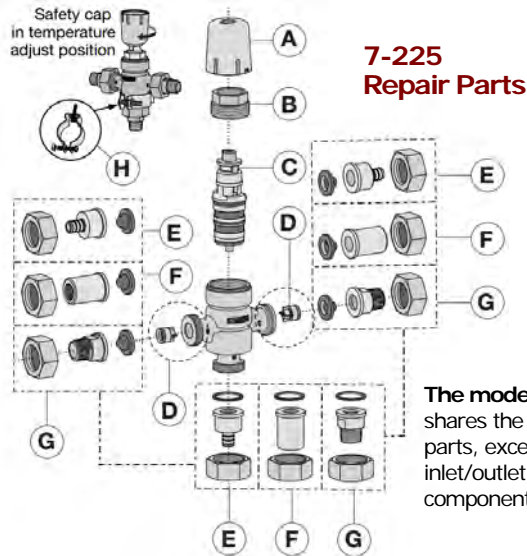
All 7-225 and 7-230 mixing valves have a **minimum flow rate of 0.50 gpm**

### Features and Benefits

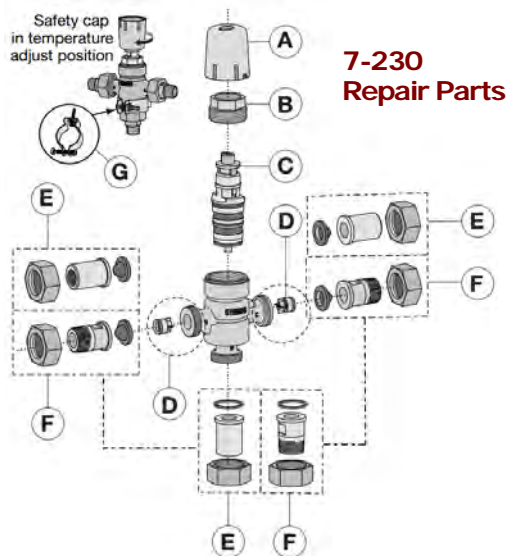
#### Complete Mixing Valve and Cartridge:

- Pipe inlet & outlet styles include pipe, Pex, compression and sweat copper.
- Temperature control range: 60° to 140° F.
- Single valve flow rates up to 14 gpm.
- Installed either at the point-of-use or the point-of-source.
- ASSE 1017 and CSA standard B.125.3 approved.
- \*Lead free brass, bronze and stainless steel components.
- NOT intended for use on emergency eye, face or shower stations.

Model	Connections	GPM Flow @ PSI drop					Wgt.	Order No.
		5 psi	10	20	30	45		
7-210-CK	3/8" compression	1 gpm	2	3	4	4.5	1.8	<b>SX1480</b>
7-225-CK-MS	1/2" male pipe x 1/2" female sweat	4.5	7	9.5	12	14	2.0	<b>SX1484</b>
7-225-CK-F	1/2" female pipe	4.5	7	9.5	12	14	2.0	<b>SX1482</b>
7-225-CK-PEX	1/2" Pex pipe	3.5	5.5	8	9.5	12	2.0	<b>SX1490</b>
7-230-CK-M	3/4" male pipe	5	7	10	12	14	2.2	<b>SX1488</b>
7-230-CK-FS	3/4" female sweat	5	7	10	12	14	2.2	<b>SX1486</b>



The model \*7-210 shares the same parts, except for the inlet/outlet connection components.

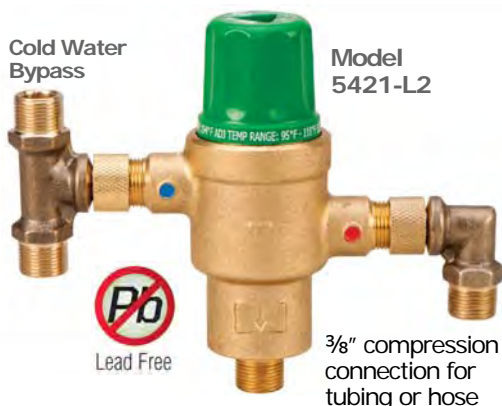


Item	7-225 & *7-210 Repair Parts	Order No.
A	Safety cap	<b>SY1218</b>
B	Cap retainer	<b>SY1214</b>
C	Cartridge	<b>SY1212</b>
D	Check valve	<b>SY1216</b>
E	1/2" Pex union fitting kit	<b>SY1224</b>
F	1/2" female union fitting kit	<b>SY1230</b>
G	1/2" male union fitting kit	<b>SY1220</b>
H	Wall hanger	<b>SY1228</b>

Item	7-230 Repair Parts	Order No.
A	Safety cap	<b>SY1218</b>
B	Cap retainer	<b>SY1214</b>
C	Cartridge	<b>SY1212</b>
D	Check valve	<b>SY1216</b>
E	3/4" female union fitting kit	<b>SY1224</b>
F	3/4" male union fitting kit	<b>SY1222</b>
G	Wall hanger	<b>SY1228</b>

# Taco Point-of-Use Thermostatic Mixing Valves

## Taco 5121 and 5421 Lead Free Thermostatic Mixing Valves

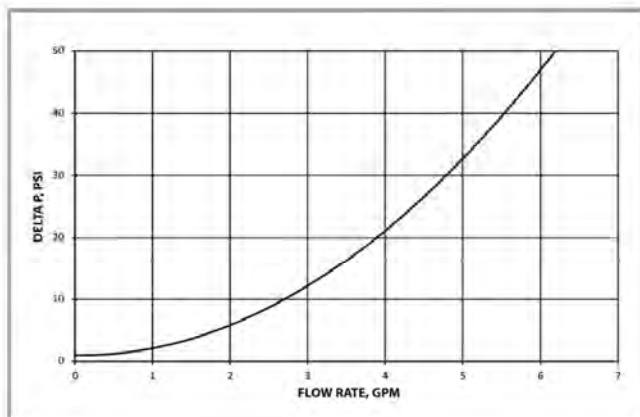
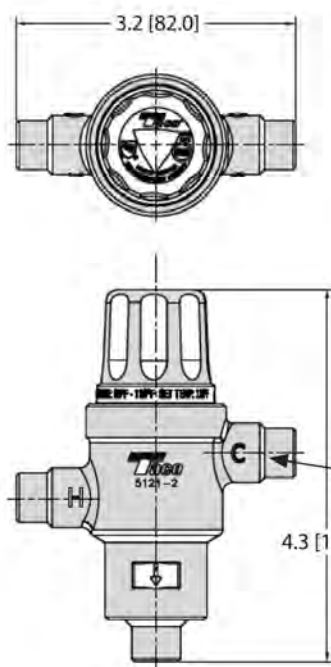
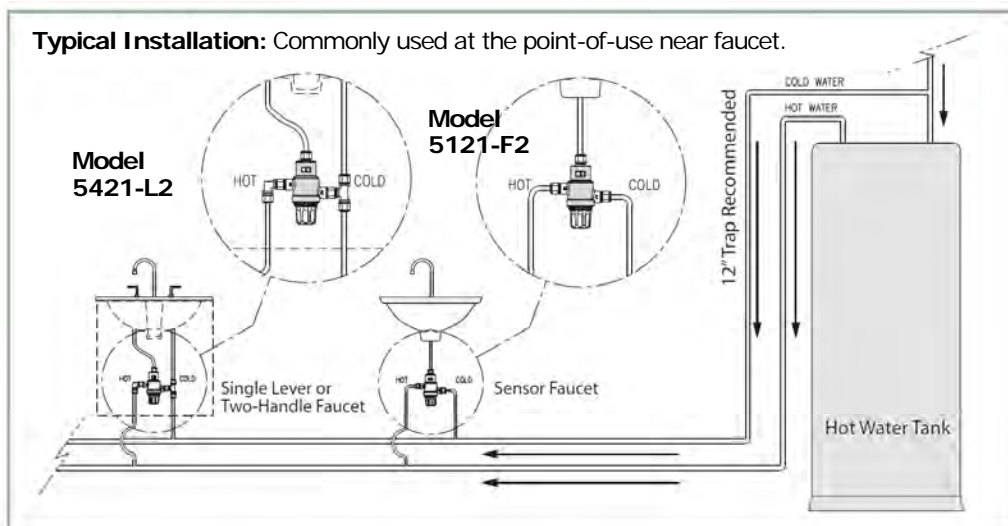


Taco 5121/5421 lead free thermostatic mixing valves are used at the point-of-use, usually at the washing fixture. Connects to 3/8" flexible hose or 3/8" O.D. compression tubing. Can be used with both manual and sensor operated faucets. Weight, 2.4 lbs.

### Taco 5121/5421 Mixing Valve Features & Benefits:

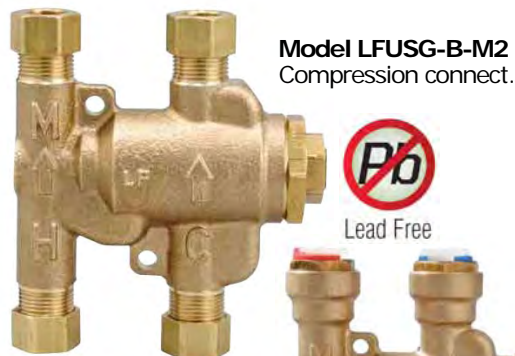
- ASSE 1070 certified for installation at the point-of use or point-of-source.
- Integral check valves and strainer screens on both hot & cold supply lines.
- Certified low lead cast bronze, less than 0.025% lead on wetted parts.
- Adjustable outlet temperature range: 95-118° F. Tamper-resistant cap.
- Hot supply temperature: 120-180° F. ■ Cold supply temperature: 39-85° F.
- Minimum flow rate: 0.35 gpm. ■ Includes wall clamp.

Model No.	Description	GPM @ 45 psi	Order No.
5421-L2	3/8" compression, mix valve WITH cold water bypass	4.6	TC1185
5121-F2	3/8" compression, mixing valve only		TC1185A



# Watts Regulator Point-of-Use Thermostatic Mix Valves

## Watts LFUSG-B Under-the-Sink Guardian Mixing Valves



Model LFUSG-B-QC-M2  
Quick-Connect for PEX.

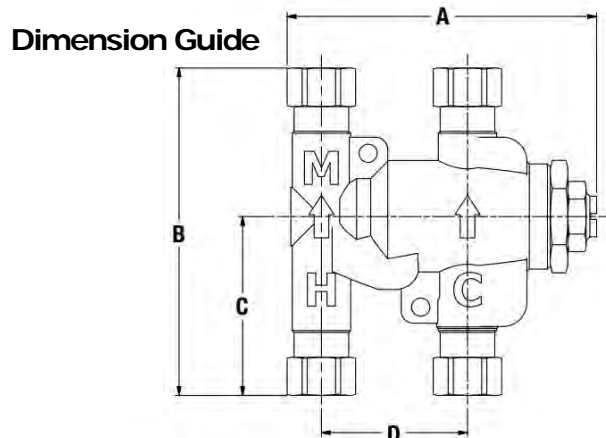
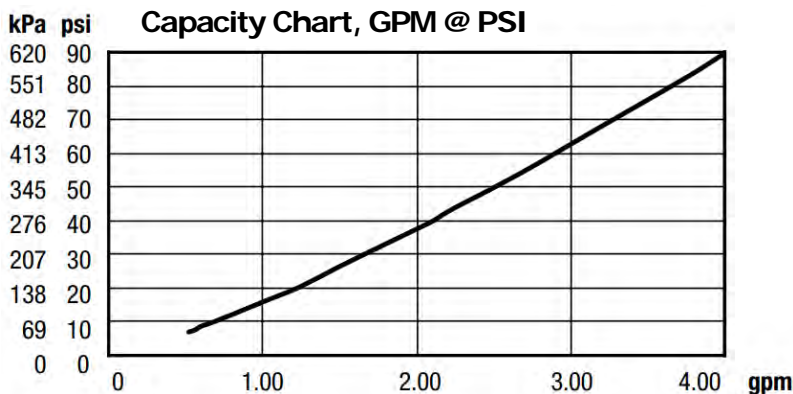


### Features and Benefits

#### Complete Mixing Valve and Cartridge:

- Pipe inlet & outlet styles include compression and Quick-Connect fitting.
- Temperature control range: 80° to 120° F.
- Single valve flow rates from 0.25 GPM to 2.5 GPM @ 50 psi.
- For single fixture applications - Installed at point-of-use.
- ASSE 1070 and CSA standard B.125.3 approved.
- Dual check valves with integral screens protect against cross flow & debris.
- The models with an **-SC-** annotation have a **satIn chrome finish**.

Model	Connections	Dimensions, inches				Wgt. lbs.	Order No.
		A	B	C	D		
LFUSG-B-M2	3/8" comp.	3.25	3.25	1.75	1.50	0.85	<a href="#">WC4000</a>
LFUSG-B-SC-M2			3.25	1.75		0.85	<a href="#">WC4005</a>
LFUSG-B-QC-M2	Quick-Connect PEX	3.25	4.0	2.25	1.50	1.10	<a href="#">WC4015</a>
LFUSG-B-QC-SC-M2			4.0	2.25		1.10	<a href="#">WC4020</a>

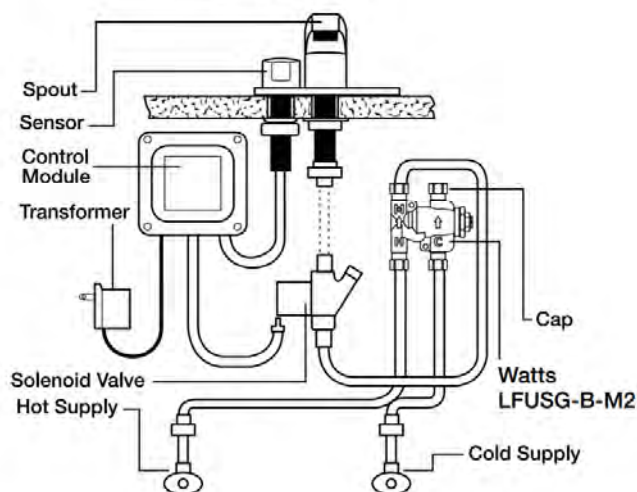


Two Handle Faucet



### Typical Installations

Sensor Faucet



**NOTICE**

This information is not intended to replace the full product installation and safety information available or the experience of a trained product installer. You are required to thoroughly read all installation instructions and product safety information before beginning the installation of this product.

# Watts Regulator Thermostatic Mixing Valves

## Watts LFL and LF Series Lead Free Thermostatic Mixing Valves

Flow rates up to 25 gpm @ 50 psi



Model LFL1170-US-M2

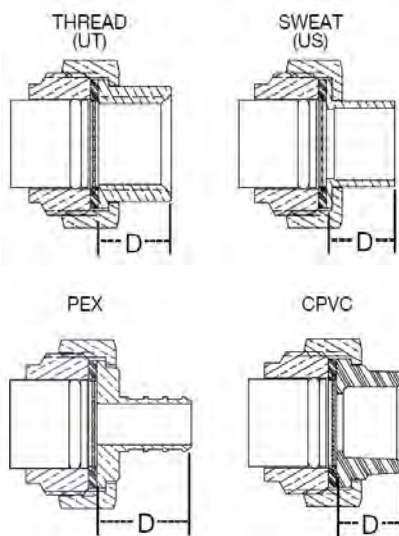
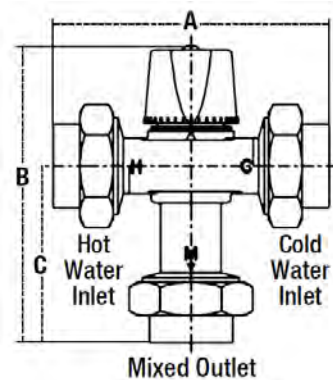
Available with threaded, sweat, PEX and CPVC connections. Pro-Press connections optional. Call for info.

Watts LFL1170 series lead free thermostatic mixing valves are used at the point-of-source, usually at the boiler or water heater. Often used on both radiant heat (LF1170 models) and potable water (LFL1170 models) systems.

### Watts LF1170 and LFL1170 Mixing Valve Features & Benefits:

- ASSE 1017 certified for installation at the hot water source.
- LF1170 model adj. temp. range: 90-160° F; LFL1170 temp. range: 60-120° F.
- Certified lead free cast bronze, less than 0.025% lead on wetted parts.
- Integral check valves with filter washers ■ Valve shut down on cold water loss.
- Hot supply temperature: 120-200° F. ■ Cold supply temperature: 40-85° F.
- Minimum flow rate: 0.50 gpm. ■ Maximum pressure 150 psi

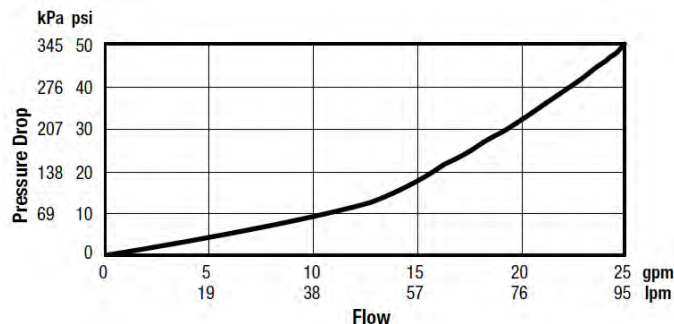
### Dimension Guide



Model No.	Adjust Temp Range F.	Connection	Dimensions, inches				Wgt. lbs.	Order No.
			A	B	C	D		
LF1170-UT-M2	90-160° Radiant Heat	1/2" thread	4.875	5.5	3.25	.625	1.8	<a href="#">WC4020</a>
		3/4" thread	4.875	5.5	3.25	.625	2.4	<a href="#">WC4025</a>
		1" thread	5.25	5.625	3.375	.75	3.0	<a href="#">WC4030</a>
LF1170-US-M2		1/2" sweat	4.75	5.375	3.125	.625	1.7	<a href="#">WC4035</a>
		3/4" sweat	5.25	5.625	3.375	.875	2.3	<a href="#">WC4040</a>
		1" sweat	5.75	5.875	3.625	1.125	2.9	<a href="#">WC4045</a>
LF1170-PEX-M2		1/2" PEX barb	5.25	5.5	3.25	.75	1.8	<a href="#">WC4050</a>
		3/4" PEX barb	5.5	5.75	3.5	1.0	2.5	<a href="#">WC4055</a>
		1" PEX barb	5.875	5.25	3.625	1.125	3.1	<a href="#">WC4060</a>
LF1170-CPVC-M2		1/2" CPVC	4.75	5.25	3.25	.50	1.6	<a href="#">WC4065</a>
		3/4" CPVC	5.25	5.5	3.25	.75	2.2	<a href="#">WC4070</a>
		1" CPVC	5.75	5.75	3.5	1.0	2.6	<a href="#">WC4075</a>
LFL1170-UT-M2	60-120° Mixing Potable Water	1/2" thread	4.875	5.5	3.25	.625	1.8	<a href="#">WC4080</a>
		3/4" thread	4.875	5.5	3.25	.625	2.4	<a href="#">WC4085</a>
		1" thread	5.25	5.625	3.375	.75	3.0	<a href="#">WC4090</a>
LFL1170-US-M2		1/2" sweat	4.75	5.375	3.125	.625	1.7	<a href="#">WC4095</a>
		3/4" sweat	5.25	5.625	3.375	.875	2.3	<a href="#">WC4100</a>
		1" sweat	5.75	5.875	3.625	1.125	2.9	<a href="#">WC4105</a>
LFL1170-PEX-M2		1/2" PEX barb	5.25	5.5	3.25	.75	1.8	<a href="#">WC4110</a>
		3/4" PEX barb	5.5	5.75	3.5	1.0	2.5	<a href="#">WC4115</a>
		1" PEX barb	5.875	5.25	3.625	1.125	3.1	<a href="#">WC4120</a>
LFL1170-CPVC-M2		1/2" CPVC	4.75	5.25	3.25	.50	1.6	<a href="#">WC4125</a>
		3/4" CPVC	5.25	5.5	3.25	.75	2.2	<a href="#">WC4130</a>
		1" CPVC	5.75	5.75	3.5	1.0	2.6	<a href="#">WC4135</a>

Repair Kit No.	Repairs ALL LF & LFL 1170 Valves	Wgt. lbs.	Order No.
0559113	Thermostat repair for all valves shown above. Includes thermostat piston, funnel, spring & O-ring.	.90	<a href="#">WD1630</a>

### Capacity Chart



# Watts Regulator Thermostatic Mixing Valves

## Watts LFMMV Series Lead Free Thermostatic Mixing Valves

Flow rates  
up to 14  
gpm @  
50 psi



Model  
LFLMMV-UT-M1

Triple  
Certified!  
ASSE 1017,  
1069 & 1070

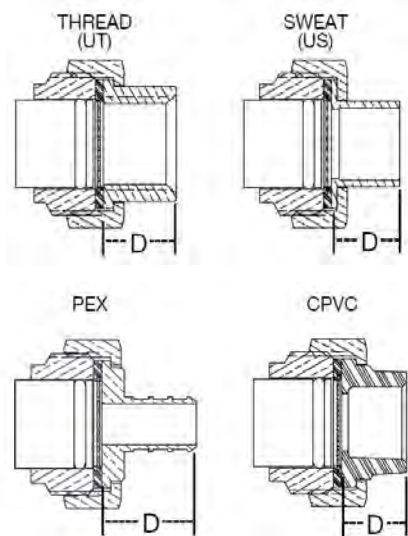
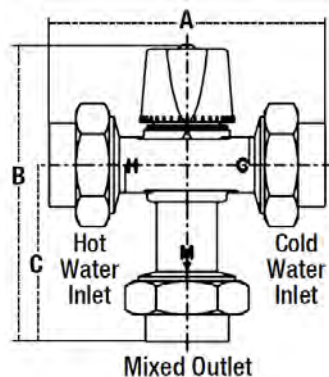
Watts LFMMV series lead free thermostatic mixing valves are used both at the point of hot water source and the point of hot water use for either single or multiple fixture applications. Flow rates as low as 0.5 gpm and as high as 14.0 gpm @ 50 psi.

### Watts LF1170 and LFL1170 Mixing Valve Features & Benefits:

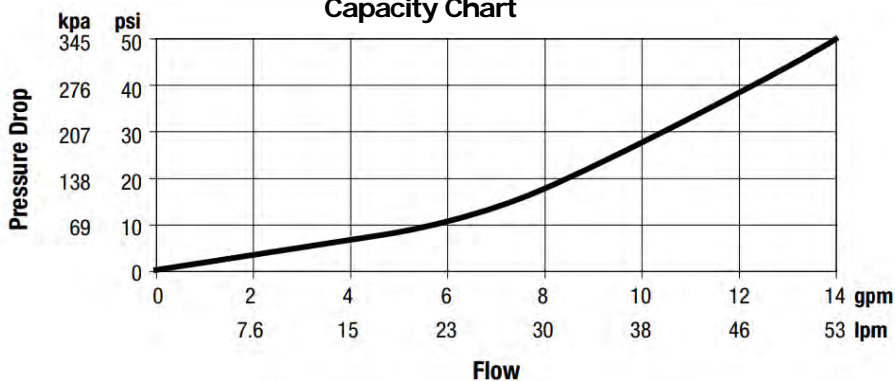
- Triple Certified - ASSE 1017, 1069 and 1070.
- Adjustable temperature range from 80 - 120° F with lockable adjustment cap.
- Certified lead free cast bronze, less than 0.025% lead on wetted parts.
- Integral check valves with filter washers ■ Valve shut down on cold water loss.
- Hot supply temperature: 120-180° F. ■ Cold supply temperature: 39-85° F.
- Minimum flow rate: 0.50 gpm. ■ Maximum pressure 150 psi

Model No.	Adjust Temp Range F.	Connection	Dimensions, inches				Wgt. lbs.	Order No.
			A	B	C	D		
LFMMV-UT-M1	80-120°	½" thread	4.875	5.5	3.25	.625	1.8	<a href="#">WC4140</a>
		¾" thread	4.875	5.5	3.25	.625	2.4	<a href="#">WC4145</a>
		1" thread	5.25	5.625	3.375	.75	3.0	<a href="#">WC4150</a>
LFMMV-US-M1		½" sweat	4.75	5.375	3.125	.625	1.7	<a href="#">WC4155</a>
		¾" sweat	5.25	5.625	3.375	.875	2.3	<a href="#">WC4160</a>
LFMMV-PEX-M1		1" sweat	5.75	5.875	3.625	1.125	2.9	<a href="#">WC4165</a>
		½" PEX	5.25	5.5	3.25	.75	1.8	<a href="#">WC4170</a>
		¾" PEX	5.5	5.75	3.5	1.0	2.5	<a href="#">WC4175</a>
LFMMV-CPVC-M1		1" PEX	5.875	5.25	3.625	1.125	3.1	<a href="#">WC4180</a>
		½" CPVC	4.75	5.25	3.25	.50	1.6	<a href="#">WC4185</a>
		¾" CPVC	5.25	5.5	3.25	.75	2.2	<a href="#">WC4190</a>
		1" CPVC	5.75	5.75	3.5	1.0	2.6	<a href="#">WC4195</a>
<b>Repair Kit No.</b>	<b>Description</b>						<b>Wgt. lbs.</b>	<b>Order No.</b>
0559123	Thermostat repair for all LFMMV models. Includes thermostat piston, funnel, spring & O-ring.						.90	<a href="#">WD1635</a>

### Dimension Guide



### Capacity Chart



**NOTE:** When used in an ASSE 1017 application at the hot water source, the Watts Thermostatic Mixing Valve Series LFMMV cannot be used by itself to control final temperature at fixtures where ASSE Standard 1016 or ASSE Standard 1070 listed devices are required. Such use may result in severe bodily injury (i.e. scalding or chilling) and/or death. ASSE Standard 1016, ASSE 1069 or ASSE Standard 1070 listed devices, such as Watts Series LFUSG, LFL111 or LFMMV, should be used at point-of-use to prevent possible injury. **Recirculation systems** should re-circulate water at temperatures over 140°F to reduce the risk of bacterial growth in the piping. **This valve should NOT be used at the hot water source in re-circulation systems.**

# Watts Regulator Thermostatic Mixing Valves



Lead Free

Shown without check stop valves



Certified ASSE 1017 Point of Source

## Watts LFN170 Master Thermostatic Mixing Valves

The LFN170 series of master mixing valves are used in commercial and institutional applications to mix and cold water to reduce high service water temperature to the building's piping distribution system. Adjustable temperature range: 90 to 180° F

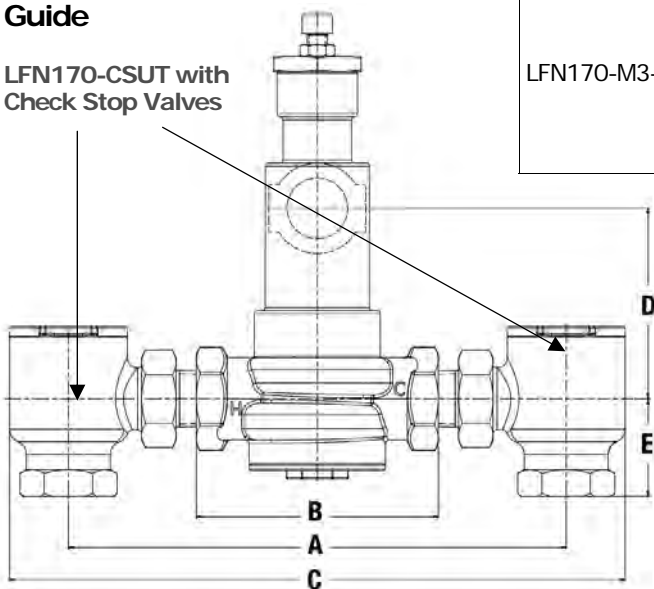
### Watts LF1170 and LFL1170 Mixing Valve Features & Benefits:

- Certified ASSE 1017 for point-of-source hot water distribution.
- Adjustable temperature range from 90-180° F with lockable adjustment cap.
- Certified lead free cast bronze, less than 0.025% lead on wetted parts.
- Integral check valves with filter washers ■ Valve shut down on cold water loss.
- Hot supply temperature: 120-180° F. ■ Cold supply temperature: 39-85° F.
- Minimum flow rate: 0.50 gpm. ■ Maximum pressure 150 psi

Virtual shutoff if supply pressure fails.

### Dimension Guide

LFN170-CSUT with Check Stop Valves



Model No.	Connection NPT pipe Inlet/Outlet	Dimensions, inches					Wgt. lbs.	Order No.
		A	B	C	D	E		
<b>LFN170 Models LESS check stop valves</b>								
LFN170-M3	¾" x ¾"	—	4.5	—	3.5	—	4.8	<a href="#">WC4200</a>
	1" x 1"	—	4.5	—	3.5	—	4.8	<a href="#">WC4205</a>
	1¼" x 1¼"	—	6.0	—	3.5	—	9.4	<a href="#">WC4210</a>
	1½" x 1½"	—	6.0	—	3.5	—	9.4	<a href="#">WC4215</a>
	2" x 1½" x 2"	—	6.5	—	3.25	—	10.4	<a href="#">WC4220</a>
<b>LFN170 Models WITH check stop valves</b>								
LFN170-M3-CSUT	¾" x ¾"	9.25	4.5	11.5	3.5	1.75	9.8	<a href="#">WC4225</a>
	¾" x 1"	10.12	4.5	12.5	3.5	1.75	10.3	<a href="#">WC4230</a>
	1¼" x 1¼"	12.0	6.0	15.0	3.5	2.5	19.3	<a href="#">WC4235</a>
	1¼" x 1½"	13.25	6.0	16.25	3.5	2.5	19.8	<a href="#">WC4240</a>
	1¼" x 2"	13.75	6.5	16.75	3.25	2.5	21.3	<a href="#">WC4245</a>

### Capacities, Gallons per Minute

Model No.	Inlet/Outlet	Min. Flow	Pressure Drop, PSI				
			5	10	20	30	45
<b>LFN170 Models LESS check stop valves</b>							
LFN170-M3	¾" x ¾"	3	15	21	30	37	45
	1" x 1"	4	23	32	45	56	68
	1¼" x 1¼"	4	32	45	63	76	95
	1½" x 1½"	5	35	49	70	86	105
	2" x 1½" x 2"	7	42	59	83	102	125
<b>LFN170 Models WITH check stop valves</b>							
LFN170-M3-CSUT	¾" x ¾"	3	14	20	28	34	42
	¾" x 1"	4	21	30	43	52	64
	1¼" x 1¼"	4	30	42	60	74	90
	1¼" x 1½"	5	33	47	67	82	100
	1¼" x 2"	7	40	57	80	98	120

### Repair Kits

Model No.	Repairs Sizes	Description	Order No.
LFN170 All Styles	¾" and 1"	Thermostat repair kit includes thermal actuator, adj. screw, bonnet, locknut, plunger & more.	<a href="#">WD1600</a>
	1¼" to 2"		<a href="#">WD1605</a>
	¾" and 1"	Funnel replacement part. Order when replacing the thermostat.	<a href="#">WD1610</a>
	1¼" to 2"		<a href="#">WD1615</a>
	¾" and 1"	Check stop valve rebuild kit. All lead free certified.	<a href="#">WD1620</a>
	1¼" to 2"		<a href="#">WD1625</a>



# Webstone Thermostatic Mixing Valves

## Webstone Potable Water Thermostatic Mixing Valves

Functional union connection design



Does not include integral check valves

Model 7310 shown

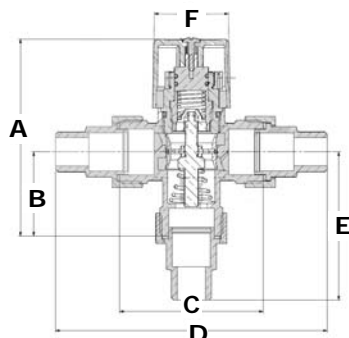


The Webstone 7310, 7410 and 7510 thermostatic mixing valves can be installed at the point-of-source to set the maximum water temperature for the entire potable water system, or installed at the point-of-use to control the faucet related temps.

### Webstone Features & Benefits:

- Very functional thermostatic mixing valve with Union connections.
- ASSE 1017 & 1070 certified for point-of-source or point-of-use installation
- Certified low lead cast bronze, less than 0.025% lead on wetted parts.
- Adjustable outlet temperature range: 95-120° or 95-131° F.
- Hot supply temperature: 120-195° F. ■ Cold supply temperature: 43-80° F.
- Minimum flow rate: 1.0 gpm. ■ Available in Male Pipe, Sweat and PEX connections.

Dimension Guide, inches



Model No.	Connect	Min. Flow	A DIM	B DIM	C DIM	D DIM	E DIM	F DIM	Cv Flow	Wgt.	Order No. 95-131°	Order No. 95-120°
74102W	½" MPT	1.0 GPM	3.75	1.75	2.93	5.5	3.07	1.56	1.4	2.0	<a href="#">WP1005</a>	<a href="#">WP1045</a>
74103W	¾" MPT								2.0		<a href="#">WP1010</a>	<a href="#">WP1050</a>
74104W	1" MPT								3.5		<a href="#">WP1015</a>	<a href="#">WP1055</a>
75102W	½" SWT								1.4		<a href="#">WP1020</a>	<a href="#">WP1060</a>
75103W	¾" SWT					2.0	<a href="#">WP1025</a>		<a href="#">WP1065</a>			
75104W	1" SWT					3.5	<a href="#">WP1030</a>		<a href="#">WP1070</a>			
73102W	½" PEX					1.4	<a href="#">WP1035</a>		<a href="#">WP1075</a>			
73103W	¾" PEX					2.0	<a href="#">WP1040</a>		<a href="#">WP1080</a>			

## Webstone Thermostatic Mixing Valves with Integral Check Valves

Select one of two temperature ranges



Includes integral check valves

Series 7420 shown

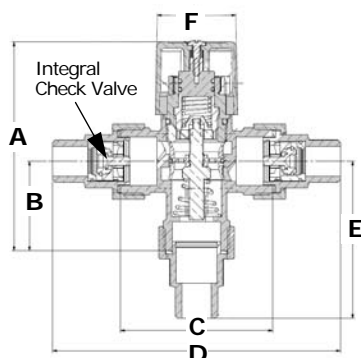


These Webstone thermostatic mixing valves have an integral check valve built into each inlet supply. Select from male pipe thread (MPT), sweat (SWT) or PEX pipe connections. Also, choose the desired adjustable temperature range, either 95-120° or 95-131° F. ASSE 1017 & 1070 rated for point-of-use or point-of-source installation.

### Webstone Features & Benefits:

- Thermostatic mixing valve with Union connections & Integral Check Valves.
- ASSE 1017 & 1070 certified for point-of-source or point-of-use installation.
- Certified low lead cast bronze, less than 0.025% lead on wetted parts.
- Adjustable outlet temperature range: 95-120° or 95-131° F.
- Hot supply temperature: 120-195° F. ■ Cold supply temperature: 43-80° F.
- Minimum flow rate: 1.0 gpm. ■ Available in Male Pipe, Sweat & Compression conn.

Dimension Guide, inches



Model No.	Connect	Min. Flow	A DIM	B DIM	C DIM	D DIM	E DIM	F DIM	Cv Flow	Wgt.	Order No. 95-131°	Order No. 95-120°
74201W	⅜" CMP	1.0 GPM	3.75	1.75	2.93	5.5	3.07	1.56		2.0	<a href="#">WP1085</a>	N/A
74202W	½" MPT								1.4		<a href="#">WP1090</a>	<a href="#">WP1120</a>
74203W	¾" MPT								2.0		<a href="#">WP1095</a>	<a href="#">WP1125</a>
74204W	1" MPT								3.5		<a href="#">WP1100</a>	<a href="#">WP1130</a>
75202W	½" SWT					1.4	<a href="#">WP1105</a>		<a href="#">WP1135</a>			
75203W	¾" SWT					2.0	<a href="#">WP1110</a>		<a href="#">WP1140</a>			
75204W	1" SWT					3.5	<a href="#">WP1115</a>		<a href="#">WP1145</a>			

# Zurn Thermostatic Mixing Valves

## Zurn Aqua-Gard® Point-of-Source Thermostatic Mixing Valves

Installed near the hot water source.



Model ZW1017XL  
Sweat shown

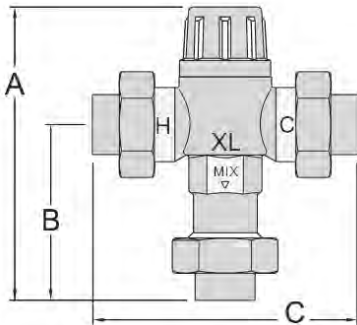


The Zurn ZW1017XL is a lead free thermostatic mixing valve installed at the point-of-source for the domestic hot water. Choose from a variety of end connections to make this suitable for many residential and most light commercial applications.

### Zurn Aqua-Gard® ZW1017XL Features & Benefits:

- Never install at the point of use; Always install near the hot water source.
- ASSE 1017 certified for point-of-source installation.
- Integral strainer screens protects the valve from premature failure.
- Certified low lead cast bronze, less than 0.025% lead on wetted parts.
- Adjustable outlet temperature range: 95-131° F. Tamper-resistant dial.
- Hot supply temperature: 120-195° F.
- Cold supply temperature: 39-85° F.
- Minimum flow rate: 0.5 gpm.

Dimension Guide, inches



Model No.	Connection	Min. Flow	A DIM	B DIM	C DIM	Flow @ 45 psi drop	Wgt.	Order No.
38-ZW1017XLCOMP	3/8" compression	0.50 GPM	5.69	3.63	5.81	18.0 GPM	2.0	<a href="#">ZB1050</a>
12-ZW1017XL	1/2" female pipe		5.44	3.38	5.25			<a href="#">ZB1055</a>
12-ZW1017XLC	1/2" sweat		5.44	3.38	5.25			<a href="#">ZB1060</a>
12-ZW1017XLPEX	1/2" PEX barb		5.56	3.5	5.56			<a href="#">ZB1065</a>
34-ZW1017XL	3/4" female pipe		5.5	3.5	5.44			<a href="#">ZB1070</a>
34-ZW1017XLC	3/4" sweat		5.5	3.5	5.44			<a href="#">ZB1075</a>
34-ZW1017XLCPVC	3/4" CPVC		5.44	3.38	5.31			<a href="#">ZB1080</a>
34-ZW1017XLPEX	3/4" PEX barb		5.56	3.5	5.56			<a href="#">ZB1085</a>

## Zurn Aqua-Gard® Thermostatic Mixing Valves for Wash Stations

Installed near the point-of-use or at the point-of-source.



Model ZW1070XL

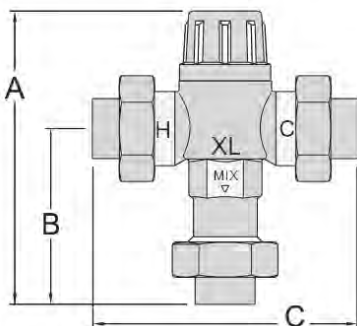


The Zurn ZW1070XL is a lead free thermostatic mixing valve installed at the point-of-use near wash stations, or can also be installed at the point-of-source, near the hot water heater to set the maximum temperature for the entire system.

### Zurn Aqua-Gard ZW1070XL® Features & Benefits:

- Installed near the point-of-use or point-of-source (hot water tank).
- ASSE 1070 certified for mixed water distribution to multiple fixtures.
- Integral strainer screens protects the valve from premature failure.
- Certified low lead cast bronze, less than 0.025% lead on wetted parts.
- Adjustable outlet temperature range: 95-115° F. Tamper-resistant dial.
- Hot supply temperature: 120-195° F.
- Cold supply temperature: 40-75° F.
- Minimum flow rate: 0.35 gpm.

Dimension Guide, inches

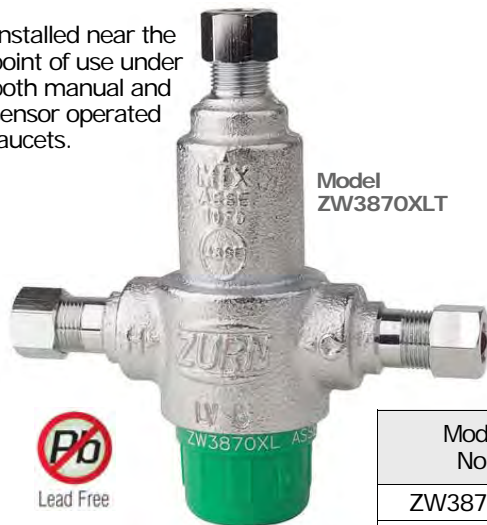


Model No.	Connection	Min. Flow	A DIM	B DIM	C DIM	Flow @ 45 psi drop	Wgt.	Order No.
38-ZW1070XLCOMP	3/8" compression	0.35 GPM	5.69	3.63	5.81	10.0 GPM	2.0	<a href="#">ZB1090</a>
12-ZW1070XL	1/2" female pipe		5.44	3.38	5.25			<a href="#">ZB1095</a>
12-ZW1070XLC	1/2" sweat		5.44	3.38	5.25			<a href="#">ZB1100</a>
12-ZW1070XLPEX	1/2" PEX barb		5.56	3.5	5.56			<a href="#">ZB1105</a>
34-ZW1070XL	3/4" female pipe		5.5	3.5	5.44			<a href="#">ZB1110</a>
34-ZW1070XLC	3/4" sweat		5.5	3.5	5.44			<a href="#">ZB1115</a>
34-ZW1070XLCPVC	3/4" CPVC		5.44	3.38	5.31			<a href="#">ZB1120</a>
34-ZW1070XLPEX	3/4" PEX barb		5.56	3.5	5.56			<a href="#">ZB1125</a>

# Zurn Thermostatic Mixing Valves

## Zurn Aqua-Gard® Point-of-Use Thermostatic Mixing Valves

Installed near the point of use under both manual and sensor operated faucets.



Model ZW3870XLT



The Zurn ZW1017XL is a lead free thermostatic mixing valve installed at the manual or sensor operated faucet. Order the ZW3870XLT for sensor operated faucets, or the ZW3870XLT-4P with cold bypass for two-supply manually operated faucets.

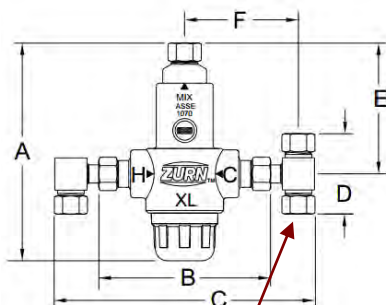
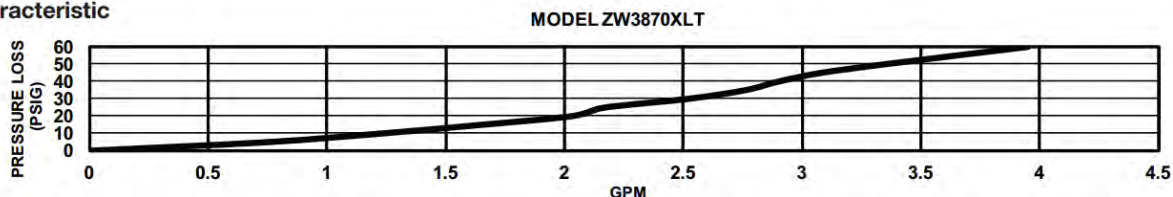
### Zurn Aqua-Gard® ZW3870XLT Features & Benefits:

- For installation at the sensor or manually operated faucet
- ASSE 1017 certified for point-of-source installation.
- Integral check valves and strainer screens on both hot & cold supply.
- Certified low lead cast bronze, less than 0.025% lead on wetted parts.
- Adjustable outlet temperature range: 95-115° F. Tamper-resistant dial.
- Hot supply temperature: 120-195° F.
- Cold supply temperature: 40-75° F.
- Minimum flow rate: 0.35 gpm.

Model No.	Size	Min. Flow	A DIM	B DIM	C DIM	D DIM	E DIM	F DIM	Flow @ 45 psi drop	Wgt.	Order No.
ZW3870XLT	3/8" comp	0.35 GPM	4.84	4.19	—	—	2.84	—	3.10 GPM	2.0	ZB1130
*ZW3870XLT-4P					5.86	2.03		2.50			ZB1135

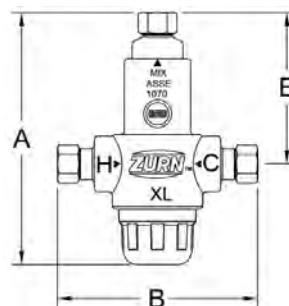
\* Includes cold water bypass

### Flow Characteristic



Model ZW3870XLT-4P with cold water bypass

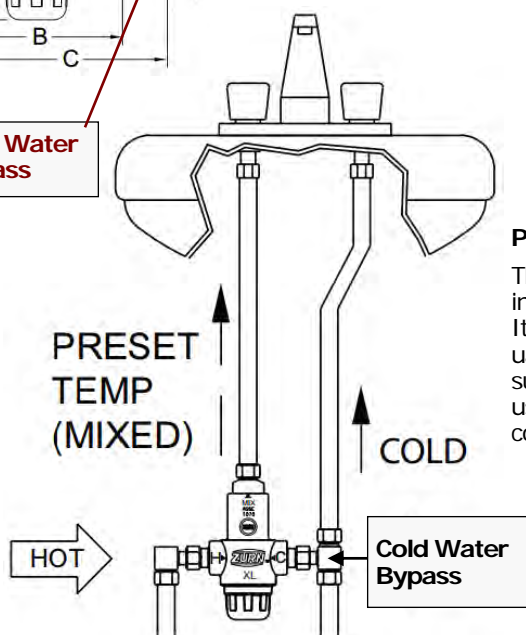
For manually operated single use faucets with separate hot and cold supply lines.



Model ZW3870XLT

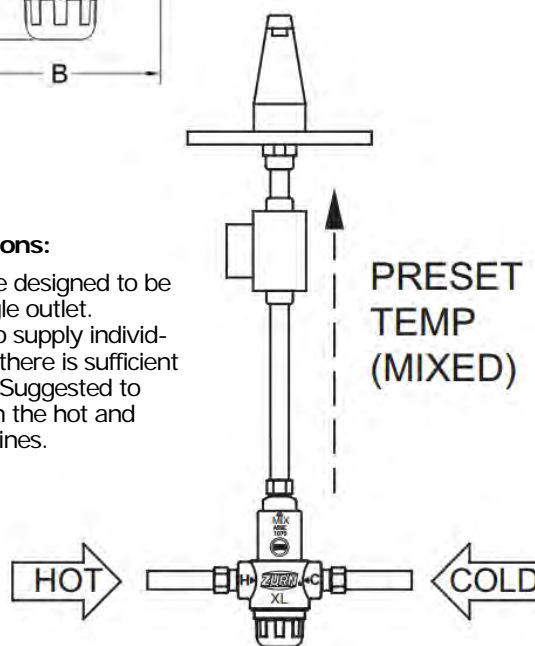
For sensor operated or single supply line faucets for single use fixtures.

Cold Water Bypass



### Piping Instructions:

These devices are designed to be installed at a single outlet. It may be used to supply individual outlets when there is sufficient supply pressure. Suggested to use ball valves on the hot and cold inlet supply lines.



# Stingray Emergency Eye/Face Wash

## Wall Mounted Eye/Face Wash

The S2530/S2535 emergency eye/face wash is a wall mounted unit that is manufactured of corrosion resistant materials. The manifold assembly is a nickel-plated brass unit with 1" NPT female connections for inlet and drain piping. It includes a centrally located activator with universal ANSI compliant sign. The bowl assembly includes a First Aid Red ABS bowl (or stainless steel bowl). The spray heads are PVC with dust caps and designed to flow at the specified flow rate.

The Stingray S2530 (red-colored plastic ABS bowl) and S2535 (stainless steel bowl) models both deliver more than 3.0 gpm of water at a pressure of 30 psi. Both models are normally in-stock and ready for same-day shipping.

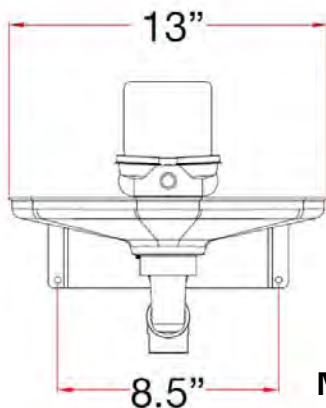
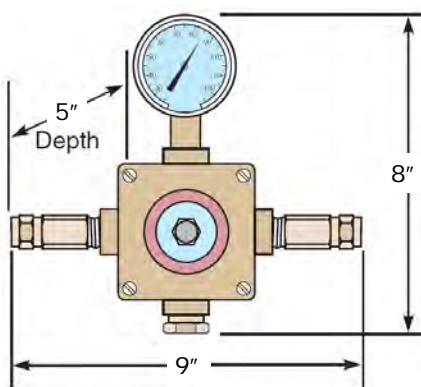


Shown with red-colored ABS bowl. Also available with stainless steel bowl.

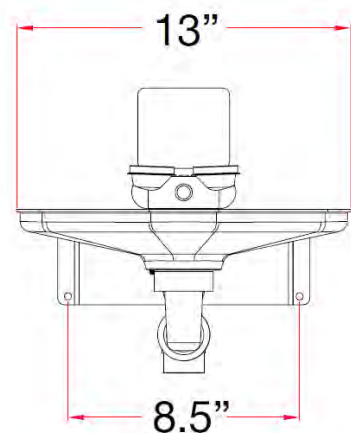
Works well with the SV107RB Emergency Mixing Valve

Select from standard design (S2530) or barrier-free design (S2535).

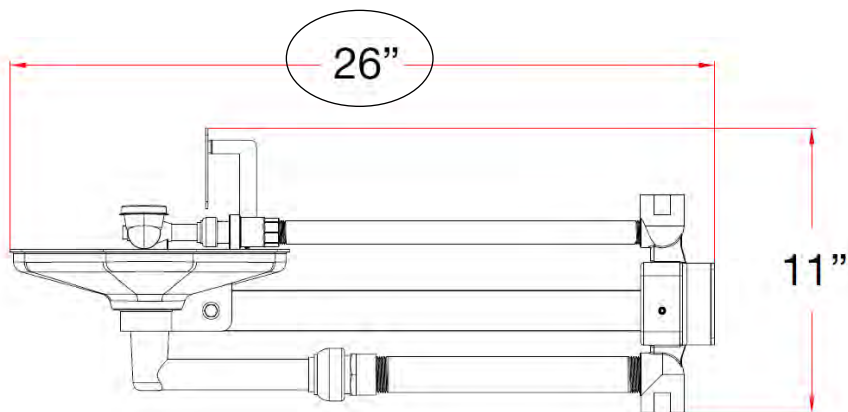
### SV107RB Emergency Mixing Valve



Model S2535 - Standard Design



Model S2530 - Barrier-Free Design



### SV107RB Emergency Mixing Valve

Bronze Finish. Lead-Free Construct.



Model No.	Wall Mounted Eye & Face Washes	Drain Conn.	Supply Conn.	Wgt. lbs.	Order No.
S2530-AB/NA	Standard design with ABS red plastic bowl	1" NPT	1" NPT	10	LW4000
S2530-SS/NA	Standard design with stainless steel bowl			10	LW4010
S2535-AB/NA	<u>Barrier-free</u> design with ABS red plastic bowl			12	LW4005
S2535-SS/NA	<u>Barrier-free</u> design with stainless steel bowl			12	LW4015
SV107RB	Emergency mixing valve, 1/2" NPT in/out. Delivers up to 10 gpm @ 45 psi pressure drop.	1/2" NPT	1/2" NPT	8	LW4060

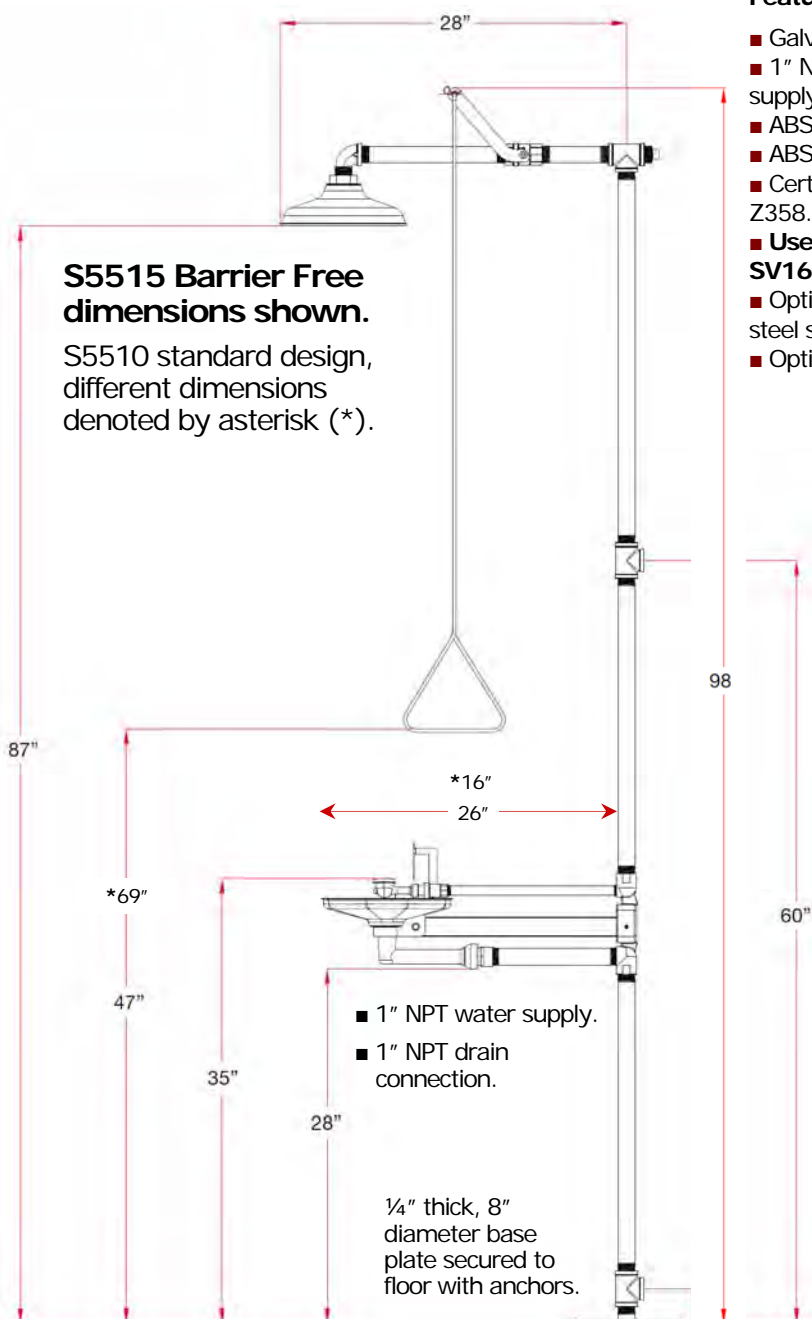
# Stingray Emergency Shower Eye/Face Wash

## Floor Mounted Eye/Face Wash & Drench Shower

The **S5510/S5515 emergency eye/face wash & drench shower** is a floor mounted unit that is manufactured of corrosion resistant materials. The manifold assembly is a nickel-plated brass unit with 1" NPT female connections for inlet and drain piping. It includes a centrally located activator with universal ANSI compliant sign. The **bowl assembly** includes a First Aid Red ABS bowl (or stainless steel bowl). The spray heads are PVC with dust caps and designed to flow at the specified flow rate. The eye/face assembly delivers more than 3.0 gpm of water at a pressure of 30 psi.

The First Aid Red ABS **showerhead** (or stainless steel showerhead) is designed to give the user uniform and non-forceful flow over the entire coverage area at 20 gpm at 30 psi. A stainless steel pull handle connected to the nickel-plated ball valve accomplishes activation of the shower.

Select from several options for both bowl and shower head construction. Most models normally in stock and ready for same day shipping.



**Features:**

- Galvanized pipe finish.
- 1" NPT connections for both supply and drain.
- ABS or stainless steel bowls.
- ABS or stainless steel shower heads.
- Certified to meet the latest ANSI/ISEA Z358.1 requirements.
- **Use with a Stingray SV125 or SV160 emergency mixing valve.**
- Optional epoxy coated or stainless steel supply available.
- Optional water supply filters available.

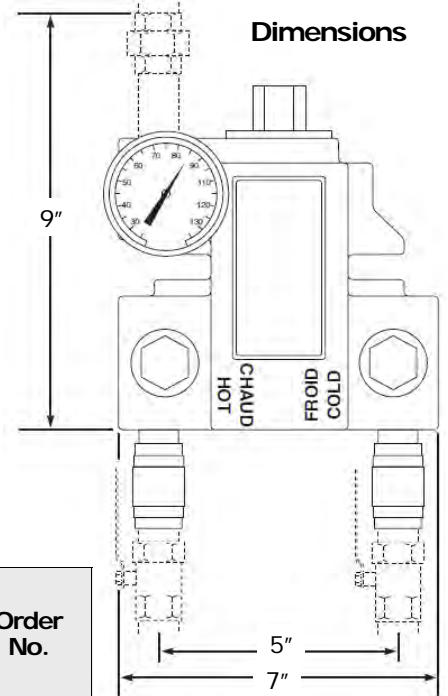
Model No.	Description	Order No.
S5510-GA-NFT-SSAB	Standard design with stainless steel bowl and ABS plastic showerhead.	<b>LW4040</b> 49.0 lbs
S5510-GA-NFT-ABAB	Standard design with ABS plastic showerhead and ABS bowl.	<b>LW4020</b> 49.0 lbs
S5510-GA-NFT-SSSS	Standard design with stainless steel showerhead and stainless steel bowl.	<b>LW4050</b> 49.0 lbs
S5510-GA-NFT-ABSS	Standard design with ABS plastic bowl & stainless steel showerhead.	<b>LW4030</b> 49.0 lbs
S5515-GA-NFT-ABAB	Barrier-free design with stainless steel bowl and ABS plastic showerhead.	<b>LW4025</b> 54.0 lbs
S5515-GA-NFT-ABSS	Barrier-free design with ABS plastic showerhead and ABS bowl.	<b>LW4035</b> 54.0 lbs
S5515-GA-NFT-SSSS	Barrier-free design with stainless steel showerhead and stainless steel bowl.	<b>LW4055</b> 54.0 lbs
S5515-GA-NFT-SSAB	Barrier-free design with ABS plastic bowl & stainless steel showerhead.	<b>LW4045</b> 54.0 lbs

# Stingray Emergency Thermostatic Mixing Valves



## Stingray SV125RB Mixing Valve

- Recommended operating pressure: 65 psi.
- Minimum supply pressure: 35 psi.
- 1 1/4" inlets x 1 1/4" outlets.
- Adjustable temperature range: 70-90° F.
- Integral cold water bypass rate: 7-22 GPM.
- Vandal-resistant temperature adjustment.
- Auto-stop upon cold water supply failure.
- Liquid-filled thermostatic motor.
- Thermometer included, 0-200° F.
- ASSE 1071 approved & certified.
- Installation recommended between 4 to 10 feet of the emergency fixture.
- Also available in stainless steel cabinet.

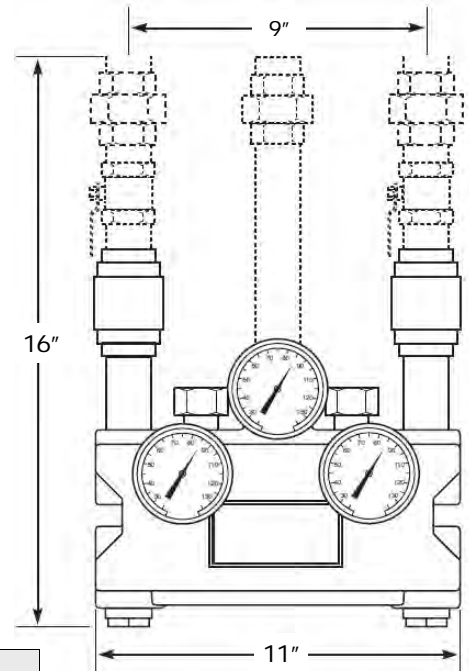


Model No.	Description	Capacities @ Pressure Drop PSI Tempered Flow				Order No.
		10 psi	20 psi	30 psi	45 psi	
SV125RB	Bronze construction, 1 1/4" NPT inlet/outlet. Liquid-filled thermostatic motor; temperature range from 70 to 90° F. Product code: 85808. Weight:	13 gpm	17 gpm	25 gpm	27 gpm	<b>LW4065</b> 15.0 lbs



## Stingray SV160RB Mixing Valve

- Recommended operating pressure: 65 psi.
- Minimum supply pressure: 35 psi.
- 1 1/4" inlets x 1 1/4" outlets.
- Adjustable temperature range: 70-90° F.
- Integral cold water bypass rate: 7-22 GPM.
- Vandal-resistant temperature adjustment.
- Auto-stop upon cold water supply failure.
- Liquid-filled thermostatic motor.
- Thermometer included, 0-200° F.
- ASSE 1071 approved & certified.
- Installation recommended between 4 to 10 feet of the emergency fixture.
- Also available in stainless steel cabinet.



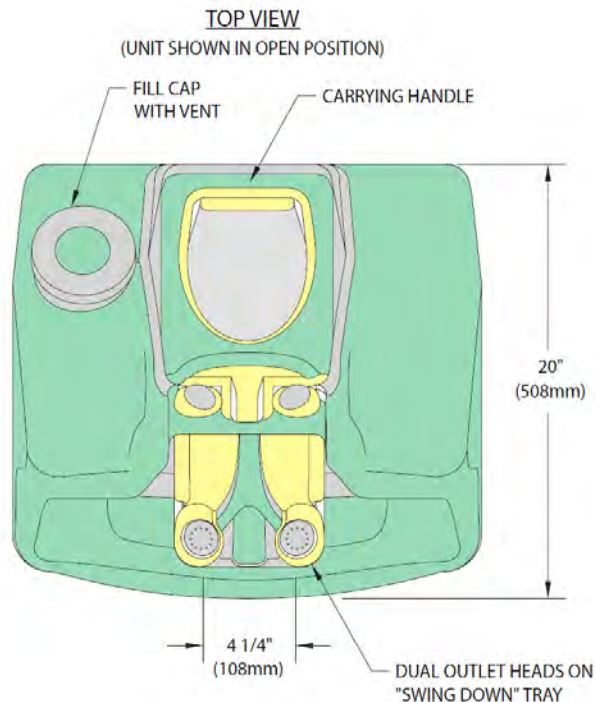
Model No.	Description	Capacities @ Pressure Drop Tempered Flow				Order No.
		10 psi	20 psi	30 psi	45 psi	
SV160RB	Bronze construction, 1 1/4" NPT inlet/outlet. Liquid-filled thermostatic motor; temperature range from 70 to 90° F. Product code: 84708. Weight:	20 gpm	28 gpm	40 gpm	45 gpm	<b>LW4070</b> 34.0 lbs

# Guardian Emergency Eyewashes



## Guardian G1540 Portable Eye Wash Unit

- 16 gallon capacity, gravity flow eyewash unit delivers over 0.5 gpm of water per minute.
- Complies with ANSI Z358.1-2014 for eyewashes.
- Polyethylene tank, built-in carrying handle with heavy wall construction.
- Activate water flow by pulling down bright yellow eyewash tray.
- Waste water directed to tank drain opening. 3 foot drain hose included: directs water to floor drain, waste tank or ground.
- Furnished with steel bracket for wall mounting, or simply place on a flat surface.
- 8 oz. bottle of anti-bacteria additive supplied with unit.



Model No.	Description	Order No.
G1540	16 gallon portable eye wash unit. Delivers 0.5 gpm. Weight: 13 lbs.	<b>GV1015</b>
G1540BA	Additional 8 oz. bottle of anti-bacteria additive.	<b>GV1015A</b>



## Guardian G1100 Faucet Mounted Eyewashes

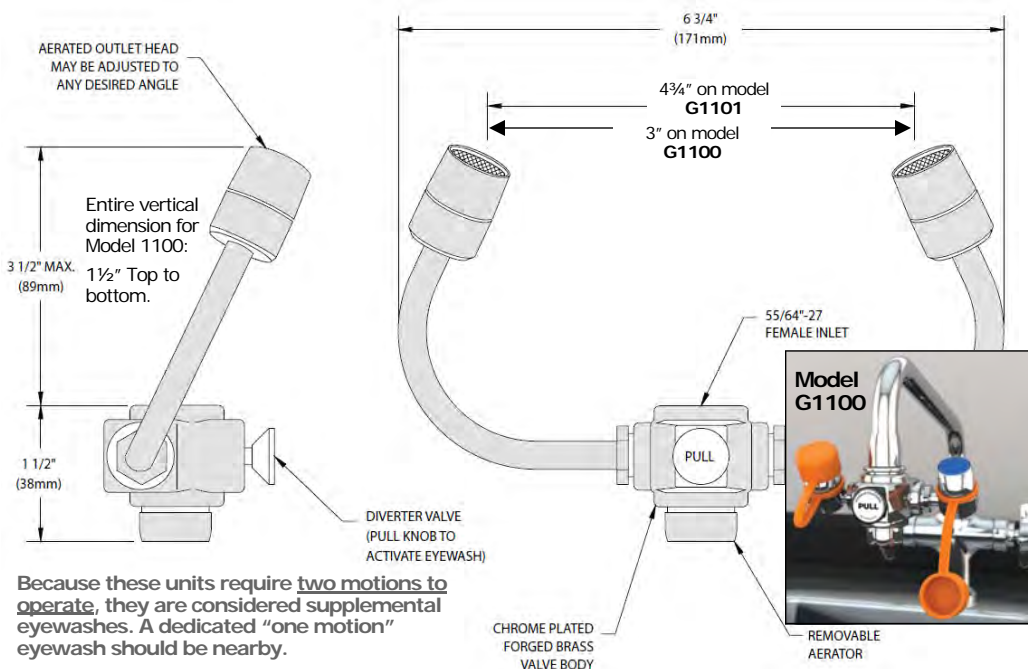
### Converts Most Faucets into Emergency Eyewash Stations!

Select Guardian Model 1100 for a 3" spread between water heads, or Model 1101 for an almost 5" spread between water heads. All models include 3 different aerator adapters, allowing you to connect the eyewash to virtually any manually controlled faucet. Great for science rooms, laboratories and other areas where caustic chemicals may be found. To activate: Turn on faucet (cold or warm only) and pull the diverter valve to activate eyewash flow.

### Ideal for Gooseneck Faucets!

- Angle of outlet heads are adjustable to permit full coverage. Supplied with "float-off" dust covers.
- To activate: Turn on faucet (cold or warm only) and pull the diverter valve to activate eyewash flow.

Model No.	Description	Order No.
G1100	Faucet mounted eyewash, 3" spray head spread.	<b>GV1004</b> 1.0 lbs
G1101	Faucet mounted eyewash, 5" spray head spread.	<b>GV1005</b> 2.0 lbs



Because these units require two motions to operate, they are considered supplemental eyewashes. A dedicated "one motion" eyewash should be nearby.

# Guardian Emergency Eye Washes

## Guardian G1814 Wall Mounted Eyewashes



G1814P



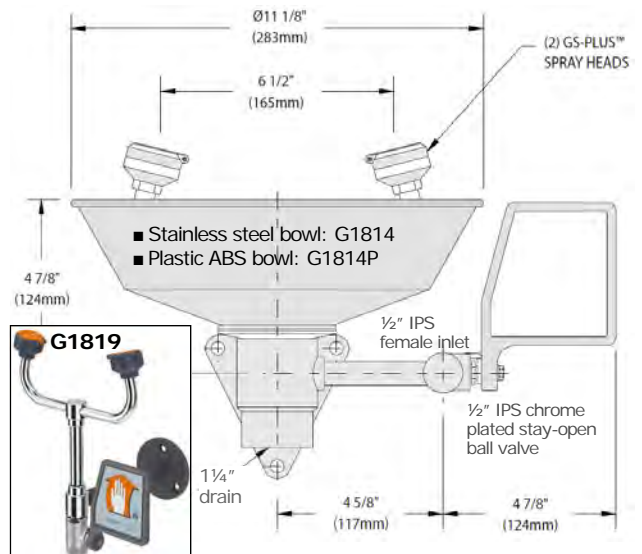
G1814

Wall mounted Guardian G1814 eye wash units deliver an unlimited supply of water for rinsing eyes. Each spray head has a flip-top dust cover, internal flow control and filter to remove impurities from the water. Mounts to wall with supplied heavy duty cast aluminum wall brackets with corrosion resistant finish. 1/2" IPS stay-open, chrome plated ball valve with 1/2" NPT female water supply inlet. 1 1/4" NPT female outlet. ANSI compliant identification sign provided.

- Plastic ABS orange-colored bowl: Model G1814P. Stainless steel bowl: Model G1814.
- If needed, please order the G3600LF thermostatic mixing valve separately



G3600LF



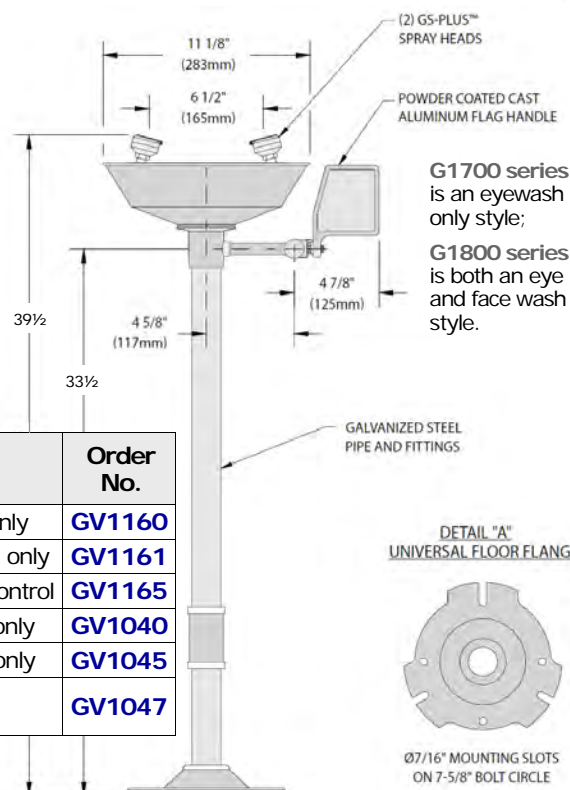
Model No.	Wall Mount Eye Wash Style	Wgt. lbs.	Order No.
G1814P	Eye wash with plastic, ABS orange bowl.	6.0	<a href="#">GV1135</a>
G1814	Eye wash with stainless steel bowl.	7.0	<a href="#">GV1130</a>
G1819	Eye wash LESS bowl	5.5	<a href="#">GV1150</a>
G3600LF	Thermostatic mix valve for tempered water: 1/2" NPT inlet/outlet; 6.5GPM @ 30 psi; Adj. temp. range: 75 to 90° F. Set @ 85° F.	7.0	<a href="#">GV1300</a>

## Floor Mount Eye Wash & Eye/Face Wash

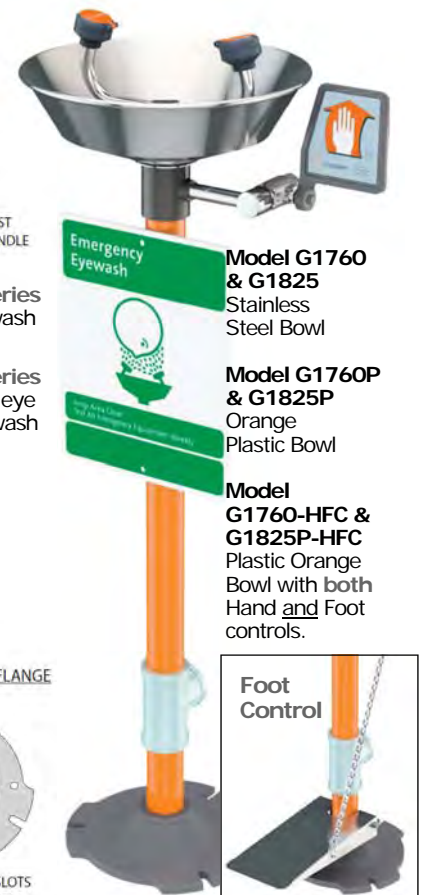
Select from Stainless Steel or ABS Orange-Colored Bowl

Free standing, pedestal mounted eye-wash only or eye and face wash units.

- Two spray heads have a flip-top dust cover, internal flow control and filters.
- Valves are 1/2" NPT chrome plated brass stay-open ball valves, with 1/2" NPT water supply. Unit remains in operation until valves manually closed.
- Select models with either stainless steel or orange ABS plastic construction.
- Pipe and fittings are schedule 40 galvanized steel with orange pipe covers for high visibility and corrosion resistance.
- Drain waste size: 1 1/4" NPT female out.



Model No.	Fixture Configuration	Order No.
G1825	Eye wash only, S.S. bowl, hand only	<a href="#">GV1160</a>
G1825P	Eye wash only, plastic bowl, hand only	<a href="#">GV1161</a>
G1825P-HFC	Eye wash, ABS bowl, foot/hand control	<a href="#">GV1165</a>
G1760	Eye/Face wash, S.S. bowl, hand only	<a href="#">GV1040</a>
G1760P	Eye/Face wash, ABS bowl, hand only	<a href="#">GV1045</a>
G1760-HFC	Eye/Face wash, S.S. bowl, foot/hand control	<a href="#">GV1047</a>





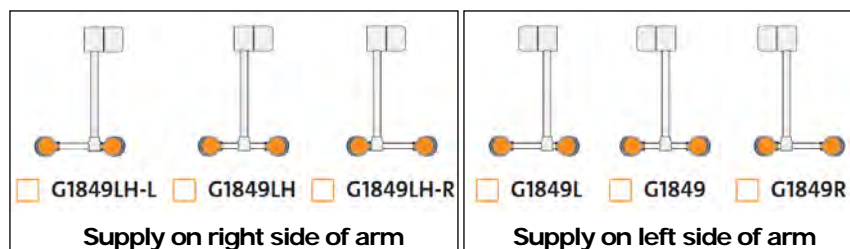
# Guardian Emergency Eyewashes



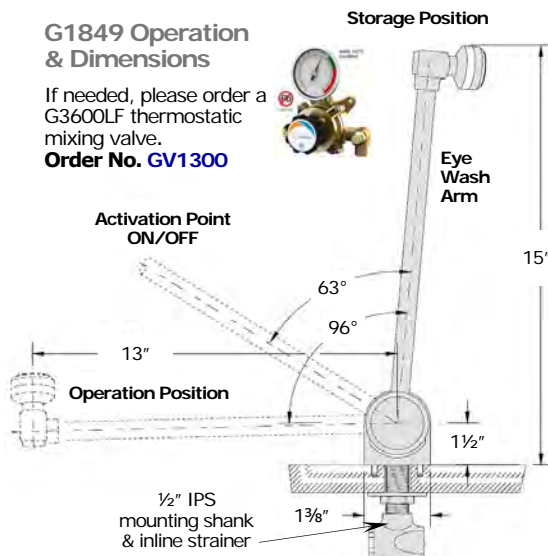
## 90° Swing-Down, Auto-Flow Eyewash

Guardian 1849 series of swing-down emergency eye washes activate upon the “swing-down” motion from its vertical, stationary position at the rear of the sink. Water turns off once eye/face wash unit lifted back into vertical position. Choose from 6 different configurations: supply on right-side or left-side of eye wash arm. See illustrations below.

ANSI compliant identification sign provided. 1/2" IPS plug-type valve with 1/2" NPT female inline water supply strainer. Polished chrome plated brass construction. Unit mounts on countertop up to 1 1/2" thick. Furnished with mounting hardware to secure unit to sink or countertop.



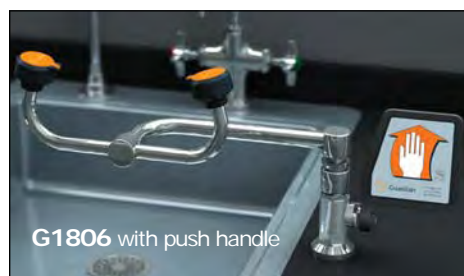
Model No.	Drop-down Eye Wash Configuration	Wgt. lbs.	Order No.
G1849LH-L	Supply <b>right side</b> of arm, spray heads left of center	8.0	<a href="#">GV1207A</a>
G1849LH	Supply right side of arm, spray heads centered	8.0	<a href="#">GV1207</a>
G1849LH-R	Supply right side of arm, spray heads right of center	8.0	<a href="#">GV1207B</a>
G1849L	Supply <b>left side</b> of arm, spray heads left of center	8.0	<a href="#">GV1205A</a>
G1849	Supply left side of arm, spray heads centered	8.0	<a href="#">GV1205</a>
G1849R	Supply left side of arm, spray heads right of center	8.0	<a href="#">GV1205B</a>



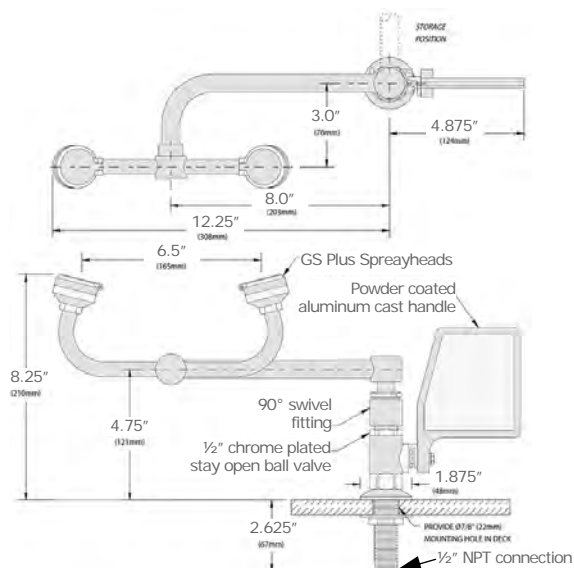
## Laboratory Emergency Eye Washes

Guardian G1805 and G1806 models come in right-hand swing (shown) or left-hand swing configurations. G1805 models activate water by swinging the spray head assembly 90° over the sink. G1806 models activate with stay open flag handle. Each spray head has a flip-top dust cover, internal flow control and water filter. Mounts to the right-side (G1805/6) or left-side (G1805/6LH) of sink. Each moves back to a side-of-sink storage. 1/2" IPS stay-open, chrome plated ball valve with 1/2" NPT female water supply inlet. ANSI compliant identification sign.

■ If needed, please order the G3600LF thermostatic mixing valve separately.



Model No.	Eye Wash Style	Wgt. lbs.	Order No.
G1805	Right-hand, swing activated eye wash	5.0	<a href="#">GV1100</a>
G1805LH	Left-hand, swing activated eye wash	5.0	<a href="#">GV1105</a>
G1806	Right-hand, Flag handle activated eye wash	5.0	<a href="#">GV1110</a>
G1806LH	Left-hand, Flag handle activated eye wash	5.0	<a href="#">GV1115</a>
G3600LF	Thermostatic mix valve for tempered water: 1/2" NPT inlet/outlet; 6.5GPM @ 30 psi; Adj. temp. range: 75 to 90° F. Set @ 85° F.	7.0	<a href="#">GV1300</a>



# Guardian Emergency Eye & Face Washes

## Wall Mounted G1750 Eye & Face Washes



Model G1750



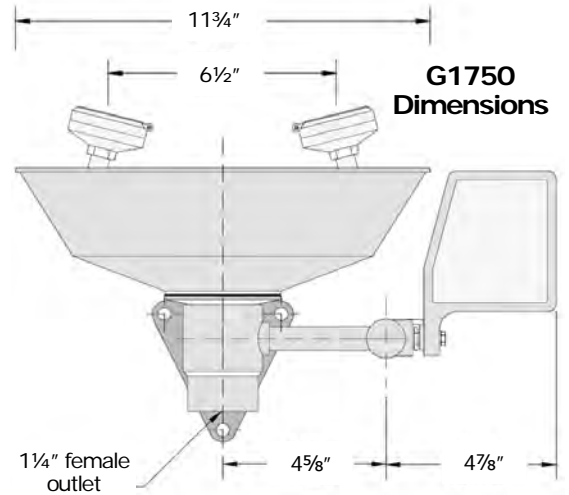
Model G1750P



Model G1750BC

Select from stainless steel or plastic bowls, or select the one with a stainless steel cover!

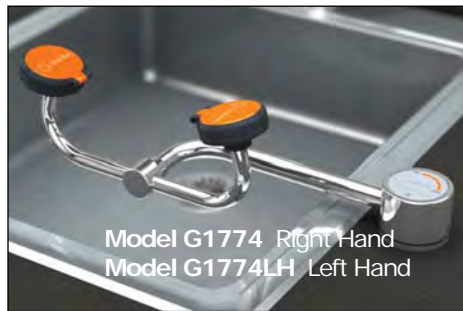
- Two extra large spray heads for face coverage with a flip-top dust cover and water filters.
- Valves are 1/2" NPT chrome plated brass stay-open ball valves, with 1/2" NPT water supply. Unit remains in operation until valves manually closed.
- Drain waste size: 1 1/4" NPT female out connection.
- ANSI compliant sign provided with the eye & face wash units.
- Heavy-duty cast aluminum wall bracket for mounting.



Model No.	Eye & Face Wash Style	Wgt. lbs.	Order No.
G1750	Wall mounted with stainless steel bowl, handle push	7.0	<a href="#">GV1030</a>
G1750P	Wall mounted with orange plastic bowl, handle push	6.5	<a href="#">GV1200</a>
G1750BC	Wall mounted with stainless steel bowl & cover	11.0	<a href="#">GV1202</a>
G3600LF	Thermostatic mix valve for tempered water, 1/2" NPT inlet/outlet; 6.5GPM @ 30 psi; Adj. temp. range: 75 to 90° F.	7.0	<a href="#">GV1300</a>

## Guardian 1770 Series Eye & Face Washes

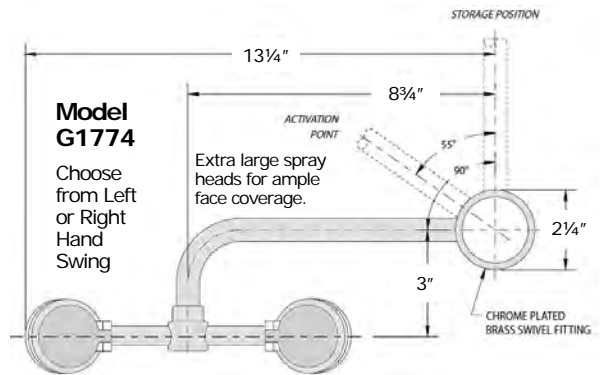
Select from wall mount or laboratory swing-away designs



Model G1774 Right Hand  
Model G1774LH Left Hand

Countertop swing away or wall mount style face & eye washes.

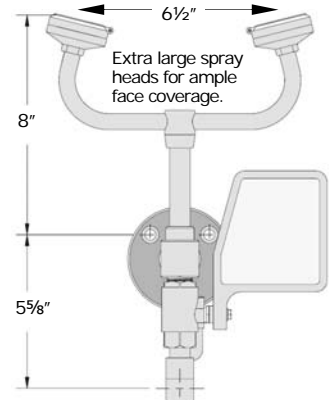
- Two extra large spray heads for face coverage with a flip-top dust cover and water filters.
- Valves are 1/2" NPT chrome plated brass stay-open ball valves, with 1/2" NPT water supply. Unit remains in operation until valves manually closed.
- Drain waste size: 1 1/4" NPT female out connection.
- ANSI compliant sign provided with the eye & face wash units.
- If needed, please order the G3600LF thermostatic mixing valve, pictured below.



Model G1774

Choose from Left or Right Hand Swing

Model G1771



Model G1771



G3600LF

Thermostatic mixing valve for tempered water: 1/2" NPT inlet/outlet; 6.5GPM @ 30 psi; Adj. temp. range: 75 to 90° F.

Model No.	Eye & Face Wash Style	Wgt. lbs.	Order No.
G1774	Swing away, right-hand	6.0	<a href="#">GV1070</a>
G1774LH	Swing away, left-hand	6.0	<a href="#">GV1075</a>
G1771	Wall mount, LESS bowl	6.0	<a href="#">GV1060</a>
G3600LF	Thermostatic mixing valve, adj. temp: 75-90° F.	7.0	<a href="#">GV1300</a>

# Guardian Emergency Eyewash & Drench Hose Units

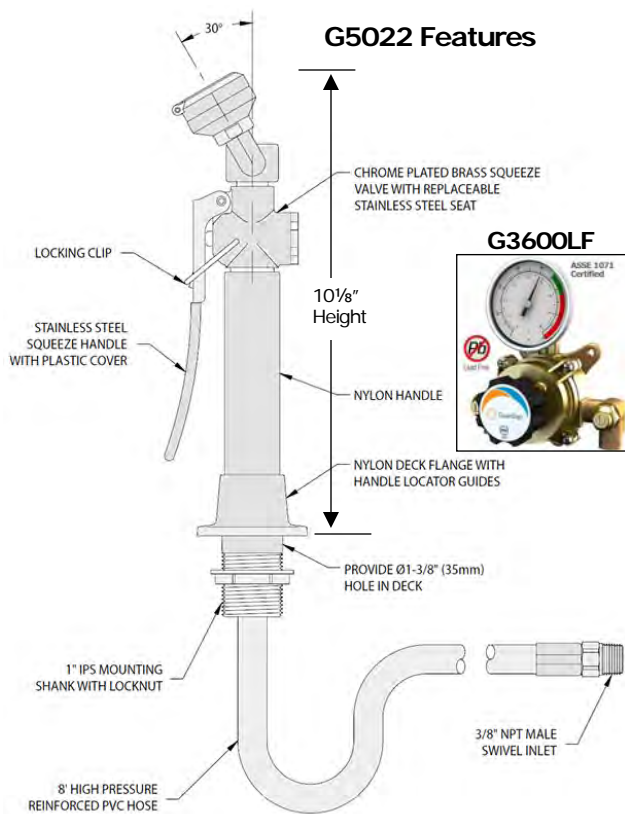


## Deck Mounted Eyewash & Drench Hose Units

Guardian dual purpose emergency eyewash and drench hose meets the ANSI Z358.1 standard. Leave the units in their deck mount for emergency eyewash, or remove to rinse any part of a user's body.

- 8 foot reinforced PVC hose with maximum working pressure of 275 psi. However, hose should not be used where pressure exceeds 90 psi. Periodically inspect hose.
- Eyewash spray heads with "flip-top" dust cover, internal flow control and water filter.
- Forged brass squeeze valve with locking clip to keep valve "open" upon user activation.
- Deck flange for countertop mounting with handle locator guide to correctly position the spray head to face forward at all times.
- Model G5022BP has an inline L108 dual check backflow preventer installed on the inlet of the 8 foot long braided reinforced PVC hose.

Available with or without backflow preventer (BP).



Model No.	Eye Wash Style	Wgt. lbs.	Order No.
G5022	Deck mounted eye wash, drench hose	7.0	<a href="#">GV1235</a>
G5022BP	Deck mounted eye wash, drench hose with BFP	7.0	<a href="#">GV1240</a>
G3600LF	Thermostatic mixing valve, 1/2" IN/OUT	7.0	<a href="#">GV1300</a>



**Model 5026**  
with 8 feet of reinforced PVC hose

All models ANSI Z358.1 Certified



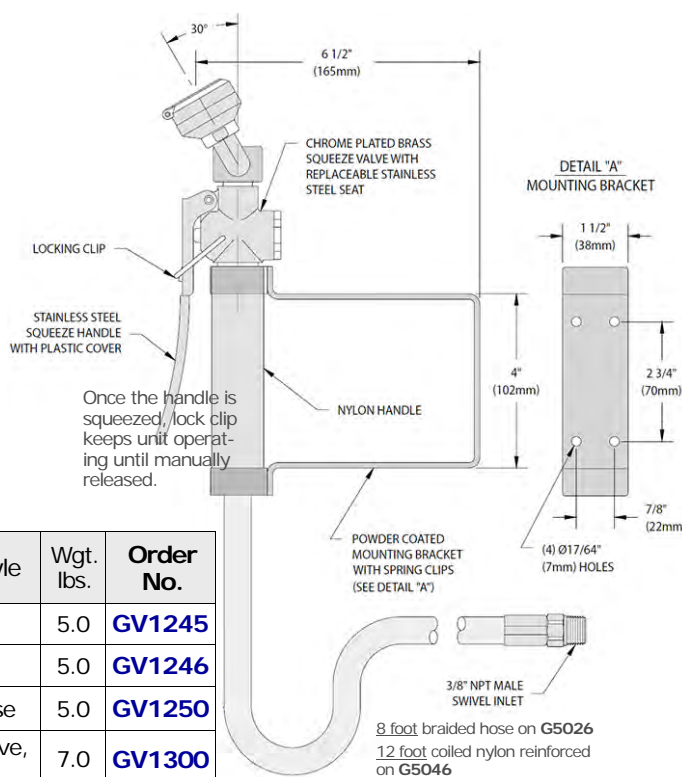
**Model 5046**  
12' reinforced nylon retractable coiled hose

## Wall Mount Eyewash & Drench Hose Units

Available with braided PVC or coiled reinforced nylon hose

Guardian wall mount eyewash/drench hose combination.

- Select from 8' braided hose or 12' coiled nylon reinforced hose. Hose connection to water supply, 3/8" NPT male swivel inlet.
- Valves are 1/2" NPT chrome plated brass stay-open ball valves, with 1/2" NPT water supply. Unit remains in operation until valves manually closed.
- Wall bracket supplied; easy release "pull" for hose usage.
- "Flip-Top" dust covers protect spray heads until activation.
- If needed, please order the G3600LF thermostatic mixing valve, pictured above.



Model No.	Eye & Face Wash Style	Wgt. lbs.	Order No.
G5026	with 8' braided hose	5.0	<a href="#">GV1245</a>
G5026BP	8' braided hose w/BFP	5.0	<a href="#">GV1246</a>
G5046	with 12' coiled nylon hose	5.0	<a href="#">GV1250</a>
G3600LF	Thermostatic mixing valve, adj. temp: 75-90° F.	7.0	<a href="#">GV1300</a>

# Guardian Emergency Safety Stations

## Guardian Safety Station with Eye or Eye/Face Washes

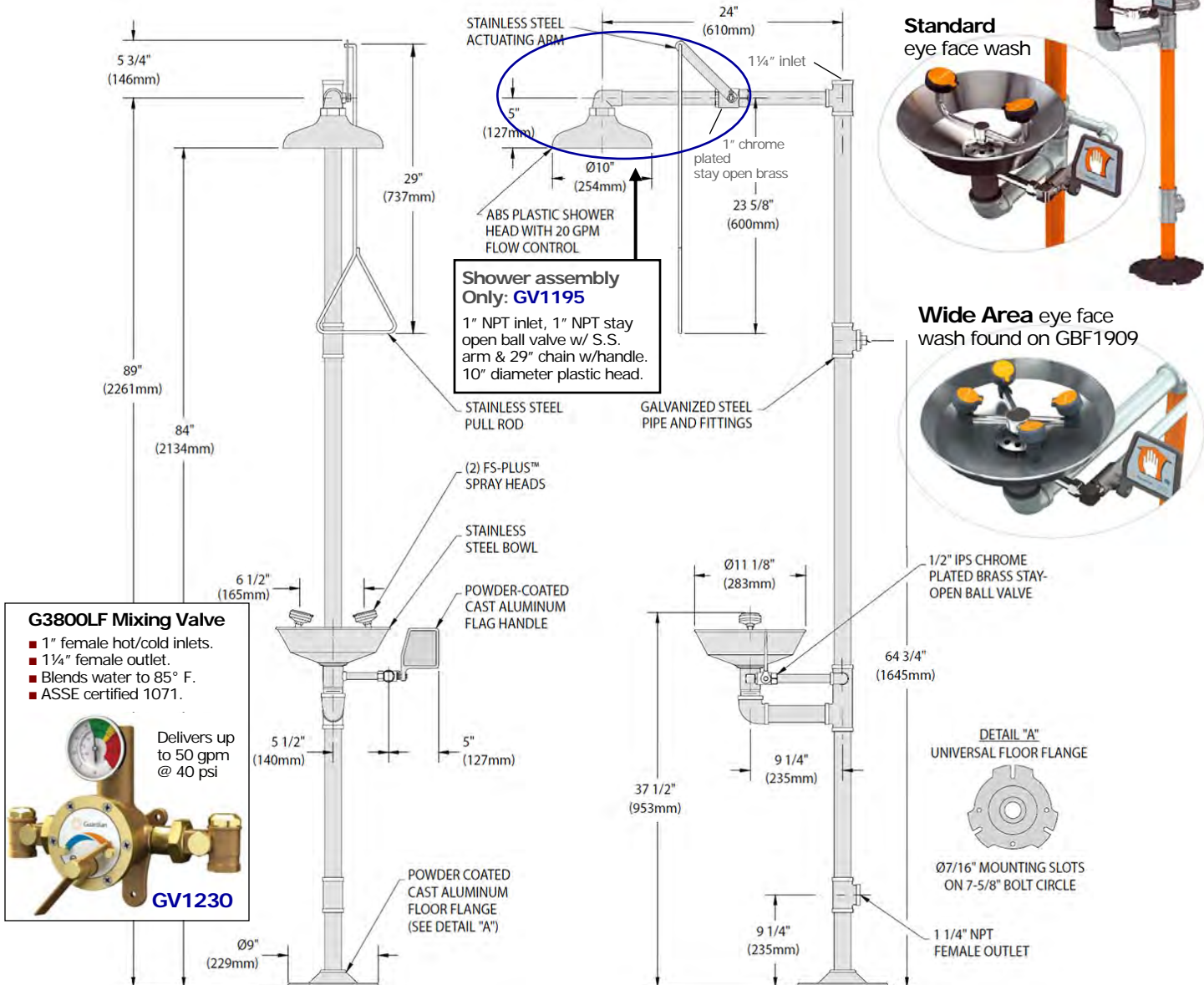
Select from Guardian safety stations with simply and eye wash function, or select the style with an eye and face wash function. Also, each style is available with an ABS orange plastic bowl or a stainless steel bowl.

- The 10" diameter orange ABS plastic shower head with 29" stainless steel pull rod provides up to 20 gpm flood of water, and once activated, the valve remains open until manually closed.
- The eye and or eye/face wash spray heads each have a "flip top" dust cover, internal flow control (to regulate water disbursement) and flow filters. The spray heads on the eye/face units are larger than the spray heads on the eye wash unit to allow for full face coverage.



Select from eye wash only or eye and face wash styles

Model No.	Safety Station Configurations	Wgt. lbs.	Order No.
G1902	Safety station with shower & std. <b>eye wash</b> with stainless steel bowl	41.0	<b>GV1210</b>
G1902P	Safety station with shower & std. eye wash with orange ABS plastic bowl	40.0	<b>GV1215</b>
G1950	Safety station with shower & std. <b>eye/face wash</b> with stainless steel bowl	41.0	<b>GV1220</b>
G1950P	Safety station with shower & std. eye/face wash, orange ABS plastic bowl	40.0	<b>GV1225</b>
GBF1909	Safety station with shower & <u>wide area</u> eye/face wash with S.S. bowl	42.0	<b>GV1255</b>



# Speakman Emergency Eyewash Units



## Portable 9-Gallon Eyewash provides 15-minutes of continuous flow

Speakman GravityFlo SE-4400 portable emergency eyewash features dual spray heads, tamper-resistant fill cap and a 9-gallon heavy-duty plastic tank. Provides the safety you need, regardless of where it's located.

- Activate water flow by pulling down bright yellow eyewash tray.
- Delivers 0.5 gpm of water continuously over a 15-minute period.
- ANSI/ISEA Z358.1 certified to perform efficient eye-flushing by providing a minimum of 0.40 gpm flow and valve activation within one second.

- Supplied with wall-mount bracket for wall mounting at one location, or remove from bracket for portability to other diverse locations.
- Once filled with 9-gallons of water, the Speakman GravityFlo SE-4400 weighs approximately 83 pounds - So fill-up when in desired position.
- Built-in carrying handle attached to robust polyethylene tank.
- Other size models (20- and 21-gallons) available.



Model No.	Eye Wash Style	Wgt. lbs.	Order No.
SE-4400	9-gallon portable polyethylene tank with carrying handle. Pull-down of bright yellow eyewash tray activates 0.5 gpm flow of water, and dispenses water continuously for up to 15-minutes		<b>SI1045</b>

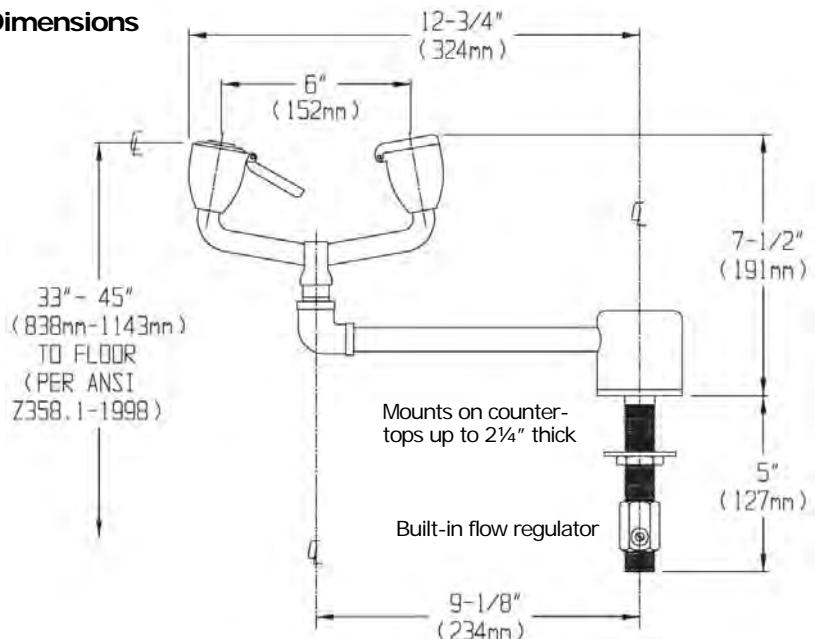


## Laboratory Countertop Mounted Eyewash Swing Activated, 3.06 gpm flow @ 30 psi

Speakman SE-570 swing-activated countertop mounted eyewash for laboratories. Select from right-hand or left-hand installations. Mounts on countertop adjoining the laboratory sink. Plastic, aerated flip-top dust caps on each eyewash spray head. 1/2" NPT male supply inlet. Built-in flow regulator. Universal emergency sign included.

Model No.	Swing Activated Operation	Wgt. lbs.	Order No.
SE-570	Right-hand installation	6.0	<b>SI 1040</b>
SE-570-LH	Left-hand installation	6.0	<b>SI 1042</b>

### Dimensions



### Speakman SE-370

Thermostatic mixing valve for emergency fixtures. Delivers 1.5 to 7 gpm of tepid 85° F. water. 1/2" NPT female inlets and outlet. Complete with check stop valves and thermometer.

Order No. **SI 1070**

# Speakman Emergency Eyewash Units

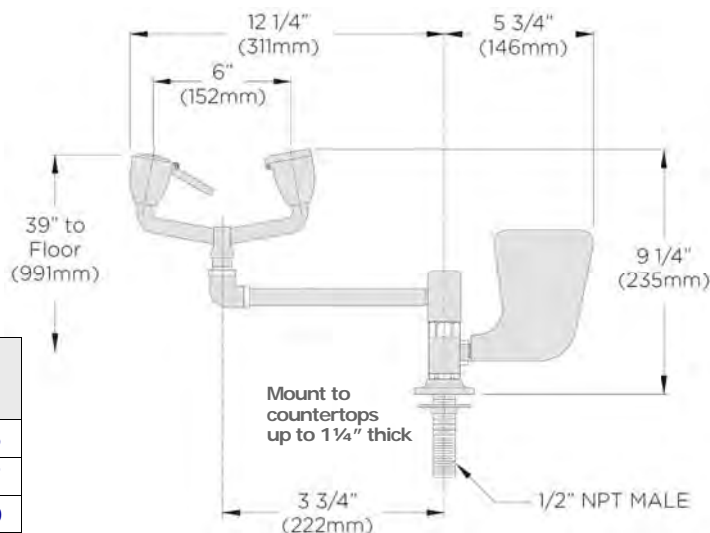


## Laboratory Countertop Mounted Eyewash Push Handle Activated, 3.09 gpm flow @ 30 psi

**Speakman SE-572** Laboratory Counter Mounted eyewashes are designed to accommodate the needs of laboratories by minimizing the space needed for emergency equipment while offering maximum safety protection. The unit swivels 90° and can be mounted to a counter up to 1¼" thick. The eyewash is activated by a stainless steel push handle. The eyewash includes a universal emergency sign and is compliant to the ANSI/ISEA Z358.1 standard & OSHA.

**Model SE-572**  
Right-hand (shown here)  
**Model SE-572-LH**  
Left-hand configuration

- Countertop mounted adjacent to laboratory sink.
- Can be mounted to a counter up to 1¼" thick.
- Select from right-hand or left-hand configuration.
- ½" NPT male water supply connection.
- ½" NPT female chrome plated brass activation valve.
- Aerated eyewash heads with flip-top dust caps.
- Universal emergency sign included.



Model No.	Eye Wash Style	Wgt. lbs.	Order No.
SE-572	Right-hand configuration	5.5	<a href="#">SI 1035</a>
SE-572-LH	Left-hand configuration	5.5	<a href="#">SI 1037</a>
SE-370	Thermostatic mixing valve	7.0	<a href="#">SI 1070</a>



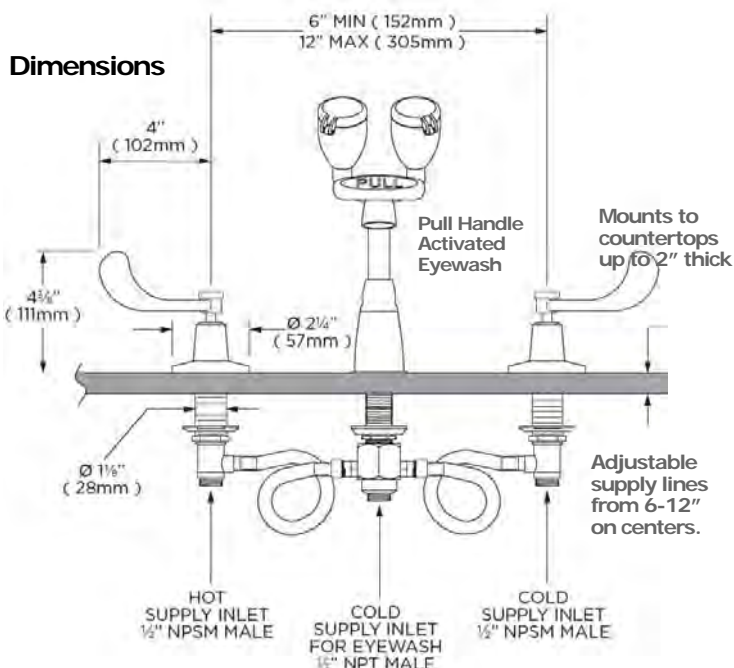
**Model SEF-1800-CA**

## Emergency Eyewash Deck Mounted Faucet Adjustable center from 6-12", 2.8 GPM flow

**Speakman SEF-1800-CA** is a faucet/eyewash combination. Deck mounted with adjustable supply line centers from 6" to 12". Pull Handle activation discharges water at 2.8 gpm @ 30 psi. Aerated yellow plastic spray outlets with flip-top dust caps. Vandal resistant 4" wrist blade handles. ASME A112.18.1 and ANSI/ISEA Z358.1 certified.

Installs on countertops up to 2" thick

Model No.	Swing Activated Operation	Wgt. lbs.	Order No.
SEF-1800-CA	Faucet Eye Wash	5.0	<a href="#">SI 1025</a>
SE-370	Thermostatic mix valve	7.0	<a href="#">SI 1070</a>



### Speakman SE-370

Thermostatic mixing valve for emergency fixtures. Delivers 1.5 to 7 gpm of tepid 85° F. water. ½" NPT female inlets and outlet. Complete with check stop valves and thermometer.

Order No. [SI 1070](#)

# Speakman Emergency Eye, Face & Drench Hose Units

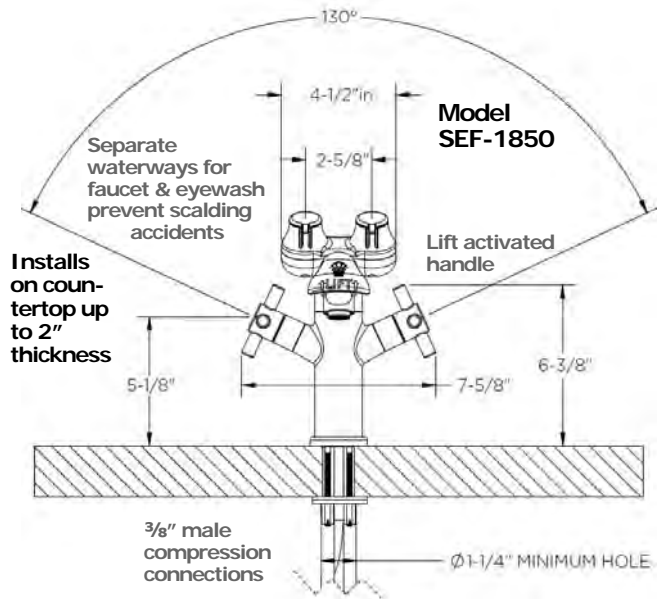


**Speakman Model SEF-1850**

## “Eye Saver” Faucet/Eyewash Combination Push Handle Activated, 2.8 gpm flow @ 30 psi

Speakman SEF-1850 deck mounted, single post faucet and eyewash combination has dedicated waterways to allow the faucet and eyewash to work independently of each other. Lift handle activated. ASME A112.18.1 and ANSI/ISEA Z358.1 certified.

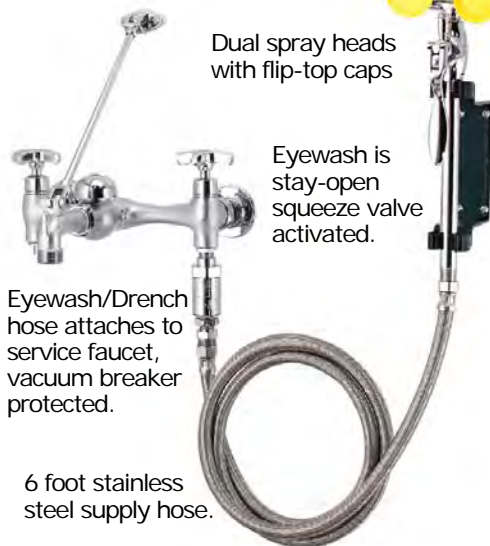
Swivel or rigid spout setting. Spout may be adjusted up to 100 degrees.



**Speakman Eyesaver** Single Post Laboratory Eyewash Faucets, are a revolutionary product line that combines a single post lab faucet with an independently operated eyewash. With a simple pull of the lever, water will instantly flush into the eyes of a burn victim. Two separate water supplies ensure that cold to tepid water will bring relief to the victim, regardless if hot water is being run from the sink simultaneously.

Model No.	Eye Wash Style	Wgt. lbs.	Order No.
SEF-1850	Eye Saving faucet/eyewash, single deck mount hole conn.	10.0	SI 1020
SE-370	Thermostatic mix valve	7.0	SI 1070

**Speakman Model SEF-9000**



**Speakman Model SEF-9200**



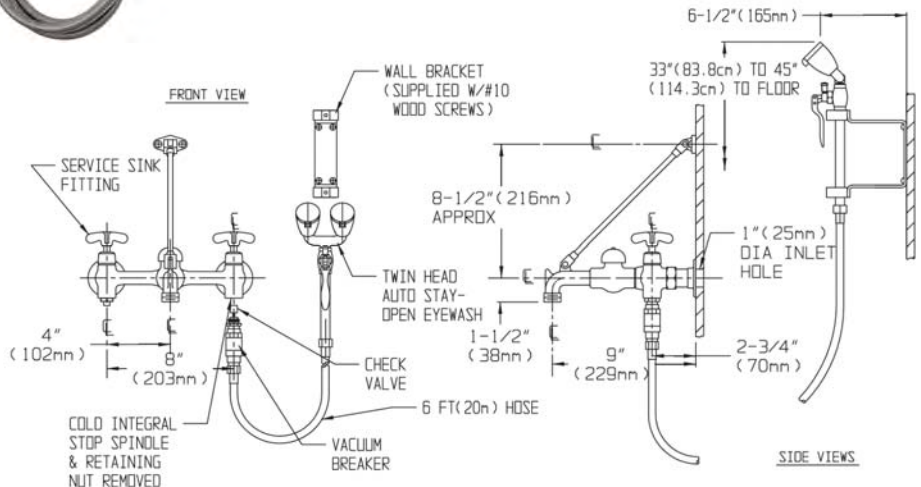
## Service Sink Faucet, Eyewash & Drench Hose Combination

The **Speakman EyeSaver SEF-9000** Service Sink Eyewash Faucet is an exclusive product with a unique design that combines a eyewash, drench hose and a service sink faucet. The eyewash is attached directly to the faucet's cold water integral stop cavity and permits both units to operate independently. As a result only one plumbing connection is required and there is never a worry about delivering scalding water to the eyes.

If you already have a **Speakman SC-5811** service sink faucet, you can simply order the Model SEF-9200 Eyewash-Drench hose assembly. It connects to the cold water integral stop port supply.

Delivers 3.06 gpm @ 30 psi when eyewash only is on, or 2.66 gpm when faucet is also on.

Model No.	Application	Wgt. lbs.	Order No.
SEF-9000	For new installation	5.0	SI 1015
SEF-9200	For retrofit installation	7.0	SI 1010



# Speakman Emergency Eyewash Units



Speakman SE-927

Delivers 2.69 GPM @ 30 psi

6 foot long drench hose

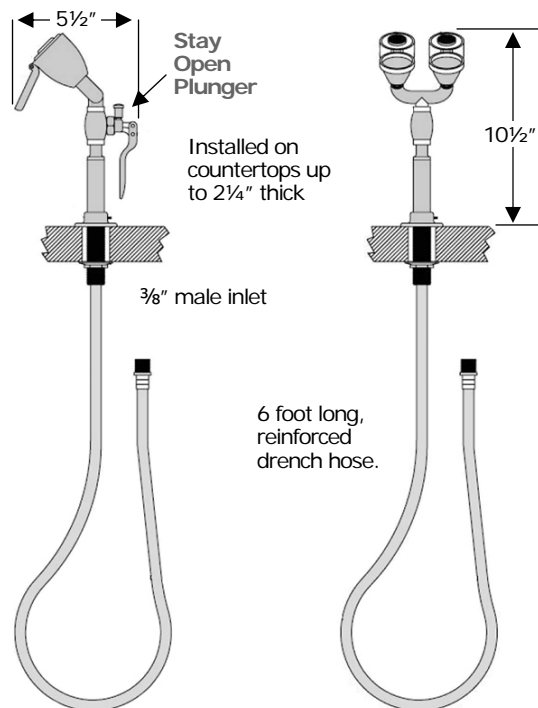
Stay open handle

## Deck Mounted Eyewash/Drench Hose Combo

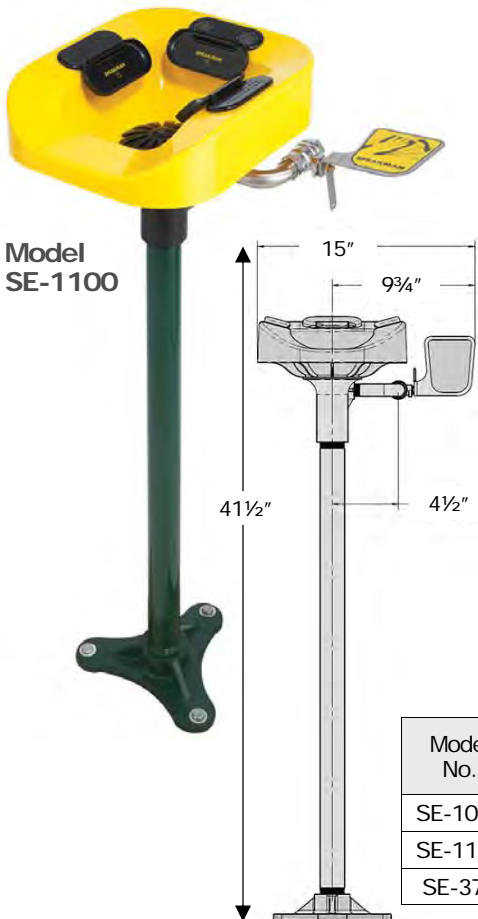
Push Handle Activated, 2.8 gpm flow @ 30 psi

Speakman SE-927 deck mounted eyewash and hand-held laboratory drench hose. Includes twin aerated spray heads with flip-open dust covers. The valve has an automatic stay-open feature activated by the squeeze handle, along with a 6 foot reinforced hose for drenching purposes.

- 3/8" NPT female chrome plated brass valve with squeeze, stay-open operation.
- Cancel water flow by squeezing handle, pull on the Stay Open Plunger, and release the squeeze handle.
- 6 feet of reinforced, 750 psi hose.
- 3/8" NPTM inlet with swivel connection.
- Mounts on countertops up to 2 1/4" thick.
- Includes 8" x 8" Emergency sign.



Model No.	Eye Wash Style	Wgt. lbs.	Order No.
SE-927	Deck mounted, squeeze handle, 6 foot - 750 psi hose	3.4	SI 1030
SE-370	Thermostatic mixing valve	7.0	SI 1070



Model SE-1100

## Pedestal or Wall Mount Eye & Face Washes

Speakman SE-1000 wall mount or Speakman SE-1100 Pedestal Floor Mount emergency eyewashes.

**Model SE-1000 wall mounted** eye & face wash with integrated sprays:

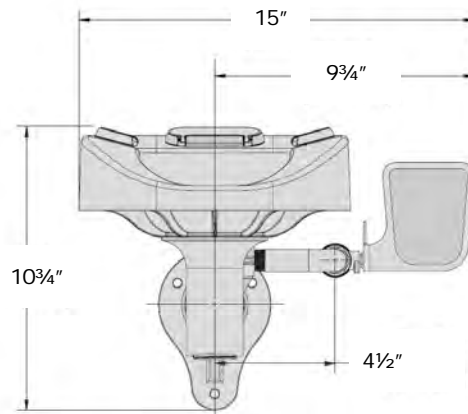
- Aerated sprays for eyewash and innovative face pads for full face clean.
- ABS plastic bowl with flip-top caps.
- 1/2" NPT chrome plated brass stay-open ball valve: 4.9 gpm @ 30 psi.
- 1/2" female inlet with integral strainer.
- Stainless steel push activate handle.
- Can be installed either standard height or ADA height configuration.

**Model SE-1100 pedestal mount** eye and face wash:

- Utilizes the SE-1000 platform.
- 1 1/4" IPS galvanized steel pipe pedestal with 1 1/4" IPS female waste.
- Powder coated finish on pedestal for enhanced corrosion resistance.



Model SE-1000



Model No.	Eye/Face Wash	Wgt. lbs.	Order No.
SE-1000	Wall mount	10.0	SI 1060
SE-1100	Pedestal mount	19.0	SI 1055
SE-370	Thermostatic Mix Valve	7.0	SI 1070



# Speakman Emergency Eye/Face & Drench Shower

## Speakman SE-1200 Eye & Face Wash with Drenching Shower

**Speakman SE-1200 Optimus Combination Shower, Eye & Eye Wash System** combines the SE-1000 eye & face wash platform with a robust drenching shower with pull-down activation handle, delivering up to 20 gpm flow from 8" diameter ABS shower head.

**Eye and Face Wash Features:**

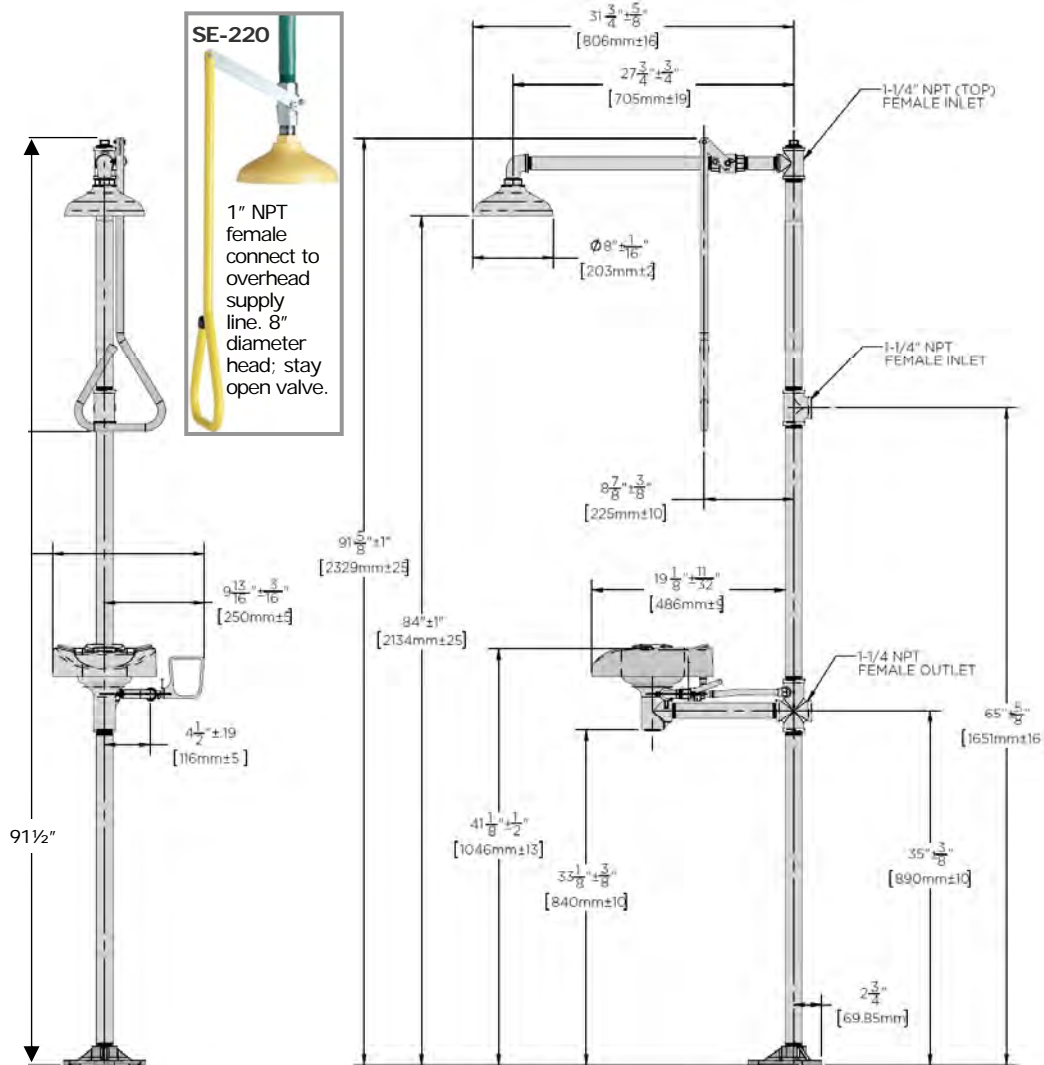
- Aerated sprays for eyewash and innovative face pads for full face clean.
- ABS plastic bowl with flip-top caps. ■ Stainless steel push activated, stay-open handle.
- 1/2" NPT chrome plated brass stay-open ball valve: 4.9 gpm @ 30 psi.
- 1/2" female inlet with integral strainer. ■ Stainless steel push activated, stay-open handle.

**Shower Features:**

- Pull rod activates stay-open shower valve flow to 20 gpm; provides hand-free operation.
- 1 1/4" IPS galvanized steel pipe pedestal, top or side supply with 1 1/4" IPS female waste.
- Powder coated finish on pedestal for enhanced corrosion resistance. ABS shower head.
- 1" NPT female brass, chrome plate full-flow, stay-open ball valve.
- Elevated drain to support easier testing & help eliminate tripping hazards.



Model No.	Description	Wgt. lbs.	Order No.
SE-1200	Eye & Face wash with drenching shower, pedestal	36.0	<a href="#">SI 1050</a>
SE-220	Safety shower only, vertical overhead supply	8.0	<a href="#">SI 1005</a>



SE-1000 eye/face wash with aerated sprays for eyewash and innovative face pads for full face clean.

4.9 gpm flow @ 30 psi.

Can be installed either standard height or ADA height configuration.

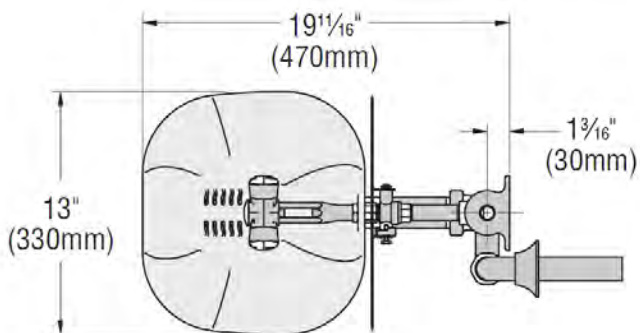
# Bradley Wall Mount Emergency Eye & Face Wash

## Select from Bradley Eye Wash style only or Eye/Face Wash

Model S19-224FW shown



Eye/Face wash spray heads are larger than eye wash only heads.

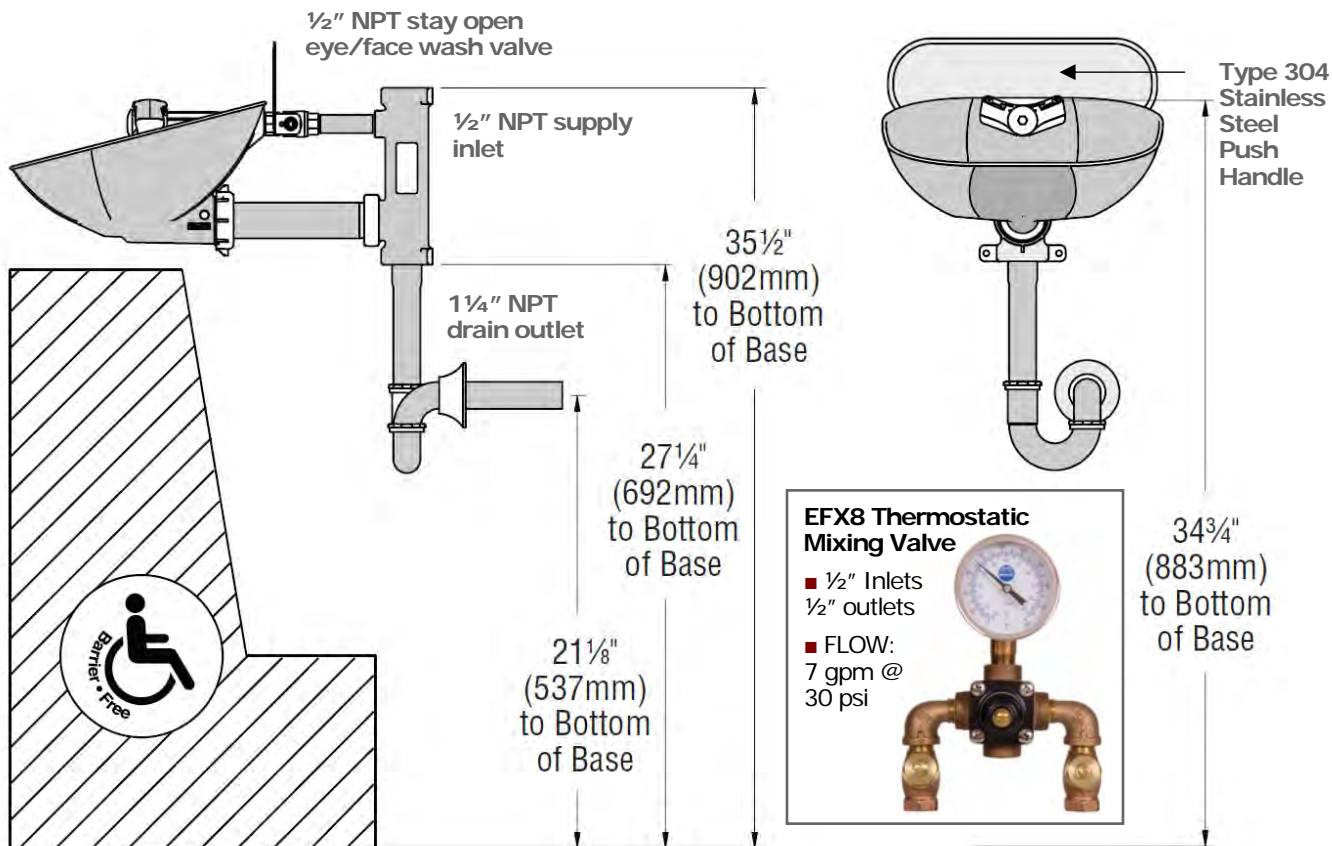


Bradley offers the S19-224EW (eye wash) or the S19-224FW (eye and face wash). Both units exceed ANSI/ISEA Z358.1 certifications. Barrier-free, ADA design. Integral flow control provides steady flow of water.

### Eye and Face Wash Features:

- Aerated sprays for eyewash or eye/face wash with flow control for safe velocity cleansing.
- ABS plastic bowl with flip-top caps: Large face-covering spray heads on eye/face wash. Standard spray heads on eye wash.
- Industry's only self-draining design
- Barrier-free design, ADA approved for all handicap applications.
- Universal inspection sign and inspection tag included.
- Fully assembled and factory tested before shipment from factory.
- Ergonomic activation paddle is easy to reach from any direction.
- 1/2" NPT C.P. brass stay-open ball valve: 5.1 gpm @ 30 psi.
- 1/2" female inlet with integral strainer.
- 1 1/4" piping assembly: Galvanized steel with safety yellow coating.

Model No.	Description	Wgt. lbs.	Order No.
S19-224EW	Eye wash only, wall mounted	13.0	<a href="#">BO1250</a>
S19-224FW	Eye and Face wash, wall mounted	13.5	<a href="#">BO1252</a>
EFX8	Thermostatic mixing valve	10.0	<a href="#">BO1345</a>



# Bradley Pedestal Mount Emergency Eye & Face Wash

## Bradley Floor Mounted Eye Wash or Eye & Face Washes

Bradley offers the S19-214EW (eye wash) or the S19-214FW (eye and face wash). Both units exceed ANSI/ISEA Z358.1 certifications. Separate supply and waste pipes meets CEN and plumbing requirements. Integral flow control provides steady flow of water.

### Eye and Face Wash Features:

- Aerated sprays for eyewash or eye/face wash with flow control for safe velocity cleansing.
- ABS plastic bowl with flip-top caps: Large face-covering spray heads on eye/face wash.
- ½" NPT chrome plated brass stay-open ball valve: 5.1 gpm @ 30 psi.
- ½" female inlet with integral strainer.
- 1¼" piping assembly made of galvanized steel with safety yellow coating.
- Stainless steel push activated, stay-open handle.
- Industry's only self-draining design
- Barrier-free design, ADA approved for all handicap applications.
- Universal inspection sign and inspection tag included.
- Fully assembled and factory tested before release from factory for shipment.
- Ergonomic activation paddle is easy to reach from any direction.



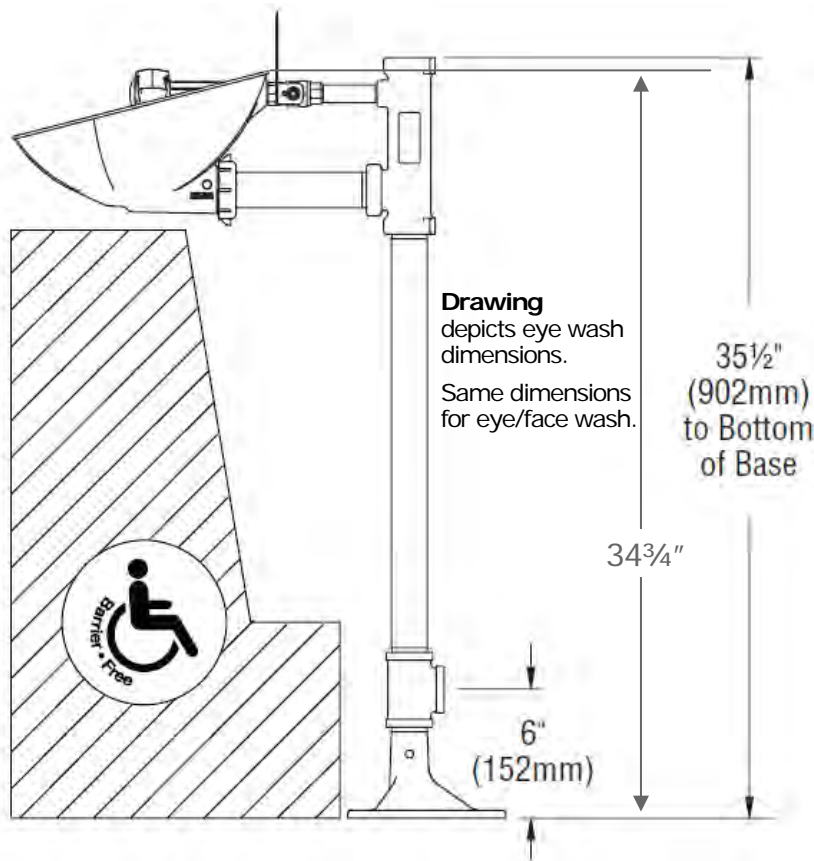
Eye/Face wash units have oversized spray heads for complete facial coverage

Barrier-free ADA design

Industry's only self-draining design

Model No.	Description	Wgt. lbs.	Order No.
S19-214EW	Eye wash with drenching shower, floor mounted	20.0	<a href="#">BO1254</a>
S19-214FW	Eye/Face wash w/drenching shower, floor mounted	20.5	<a href="#">BO1256</a>

### Dimensions



### Bradley Thermostatic Mixing Valve



Model No.	Description	Wgt. lbs.	Order No.
EFX8	Thermostatic Mix Valve, ½" inlets x ½" outlets. 7 gpm @ 30 psi. 85° F setpoint.	10.0	<a href="#">BO1345</a>

# Bradley Emergency Eye/Face Wash & Drench Shower

## Select from Eye Wash or Eye/Face Wash with Drench Shower

Bradley offers the S19-314EW (eye wash/shower) or the S19-314FW (eye and face/shower). Both units exceed ANSI/ISEA Z358.1 certifications. Separate supply and waste pipes meets CEN and plumbing requirements.

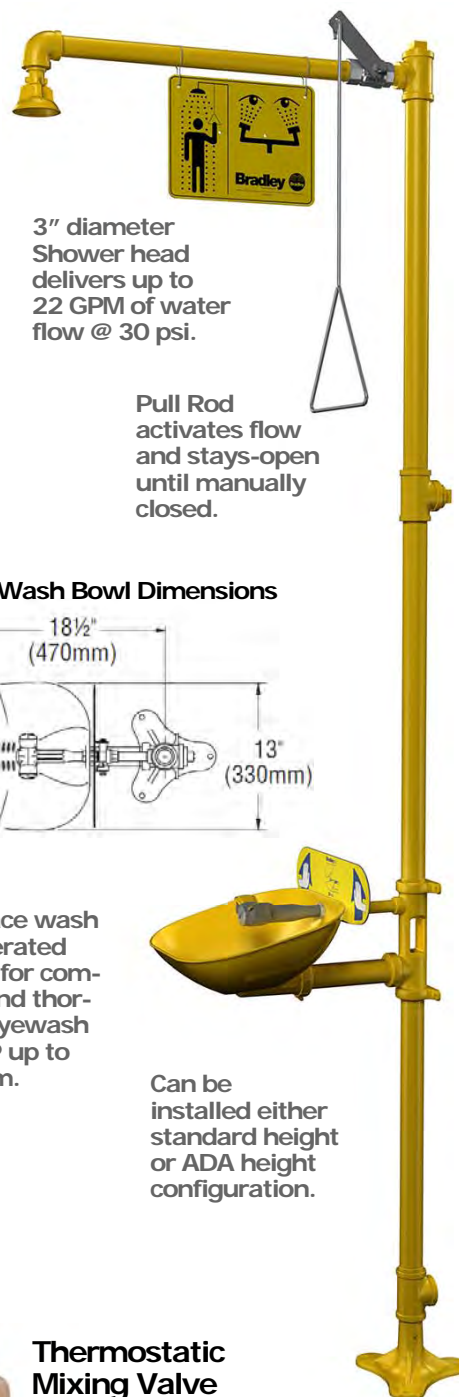
### Eye and Face Wash Features:

- Aerated sprays for eyewash or eye/face wash with flow control for safe velocity cleansing.
- ABS plastic bowl with flip-top caps: Large face-covering spray heads on eye/face wash.
- 1/2" NPT chrome plated brass stay-open ball valve: 5.1 gpm @ 30 psi.
- 1/2" female inlet with integral strainer.
- Stainless steel push activated, stay-open handle.

### Shower Features:

- Pull rod activates stay-open shower valve flow to 20 gpm; provides hand-free operation.
- 1 1/4" IPS galvanized steel pipe pedestal, top or side supply with 1 1/4" IPS female waste.
- Powder coated finish on pedestal for enhanced corrosion resistance. ABS shower head.
- 1" NPT female brass, chrome plate full-flow, stay-open ball valve.
- Elevated drain to support easier testing & help eliminate tripping hazards.

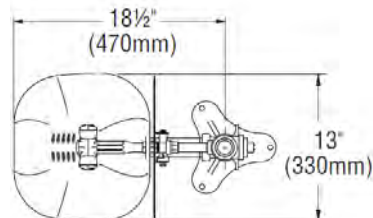
Model No.	Description	Wgt. lbs.	Order No.
S19-314EW	Eye wash with drenching shower, floor mounted	39.0	BO1258
S19-314FW	Eye/Face wash w/drenching shower, floor mounted	39.5	BO1260



3" diameter Shower head delivers up to 22 GPM of water flow @ 30 psi.

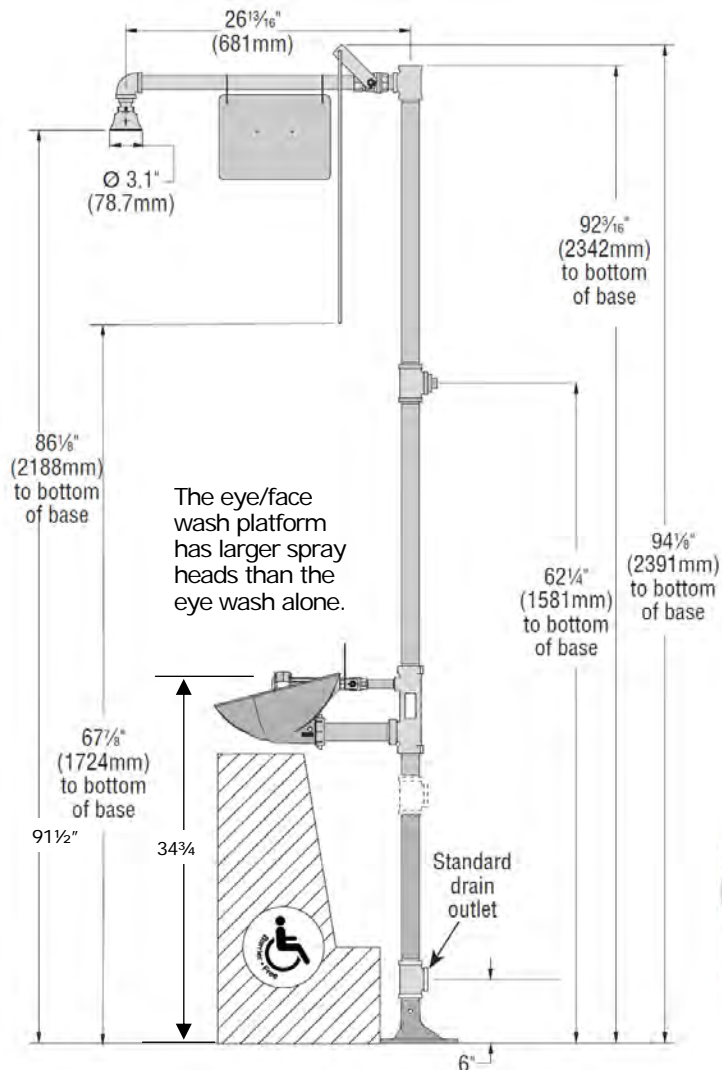
Pull Rod activates flow and stays-open until manually closed.

### Eye Wash Bowl Dimensions



Eye/Face wash with aerated sprays for complete and thorough eyewash rinse @ up to 5.1 gpm.

Can be installed either standard height or ADA height configuration.



### Thermostatic Mixing Valve



Model EFX25  
Part No. S19-2100  
**Valve Order No: BO1355**  
Weight: 20.0 lbs

- 26 gpm @ 30 psi
- 3/4" inlets; 1" outlet